

## SAFETY SWITCHES FOR HINGES LIDS/GUARDS

### Features

- Galvanically separated contacts
- Screw terminals with self-lifting clamps for easy wiring
- Positive Opening of NC contacts
- 4 x 90° actuator positions

### Definitions of Operating Characteristics

- OF Operating Force
- RF Releasing Force
- OT Overtravel
- TT Total Travel
- PT Pretravel
- MD Movement Differential
- OP Operating Position
- PO Travel to Positive Opening

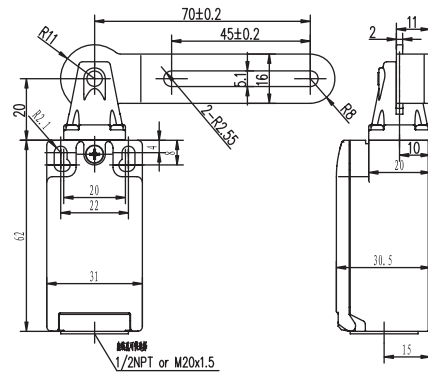
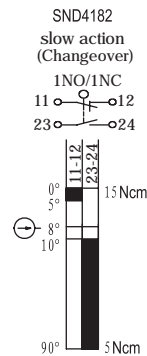


### Specifications

Operating Speed	0.05mm-0.5m/sec
Operating Frequency	Mechanical: 120ops/min Electrical: 30 ops/min
Insulation Resistance	>100MΩ@500V DC
Contact Resistance	<25mΩ (initial value)
Rated Current/Voltage	10A/600V AC (EN60947-5-1)
	AC15 A600 / DC13 Q300
Dielectric Strength	1000VAC for 1 min between current carrying parts 2500VAC for 1 min between non-current carrying parts
Service Life	Mechanically 1.0 x 10 <sup>7</sup> (operations) Electrically 5 x 10 <sup>5</sup> (operations)
Operating Temperature	-25~+80°C (-13~176°F)
Humidity	< 95%RH
Degree of Protection	IP65/ IP67

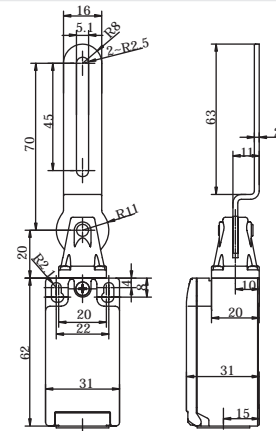
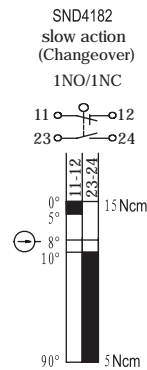
### PLASTIC-BODIED Safety Switch

#### SND4182



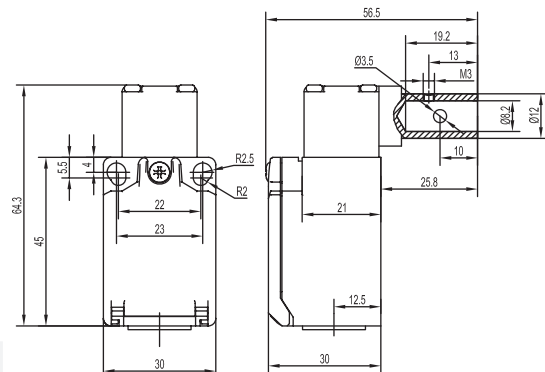
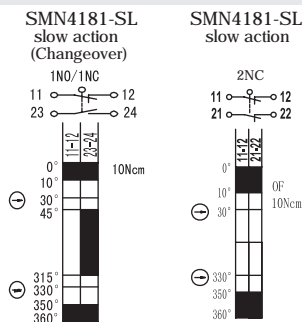
Order Code **SND4182-SL** Contact block **SL** slow action **1NO+1NC** **BBM**

#### SND4182-S



Order Code **SND4182-SL-S** Contact block **SL** slow action **1NO+1NC** **BBM**

#### SMN4181



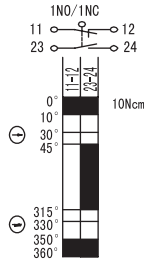
Order Code **SMN4181-SL-** Contact block **SL** slow action **1NO+1NC** **BBM**  
**SMN4181-SL2\_** **SL2** slow action **2NC**

## SAFETY SWITCHES FOR HINGES LIDS/GUARDS

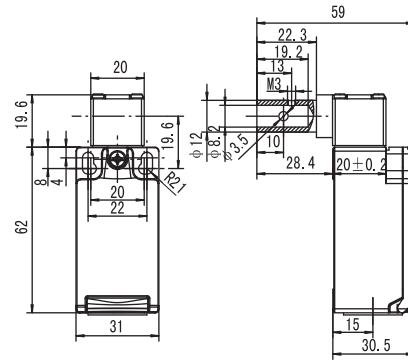
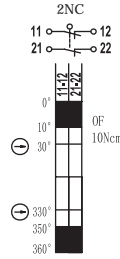
### SND4181



#### SND4181-SL slow action (Changeover)



#### SND4181-SL2 slow action



**Order Code**

SND4181-SL-

**Contact block**

SL slow action 1NO+1NC BBM

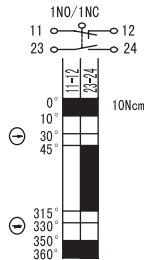
SND4181-SL2\_

SL2 slow action 2NC

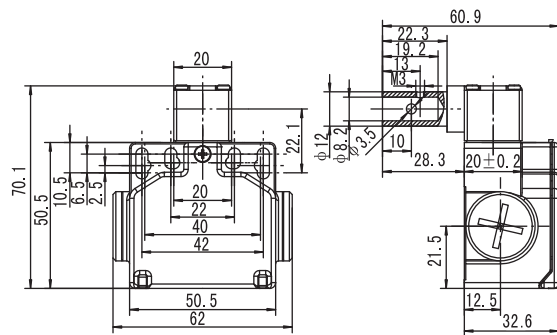
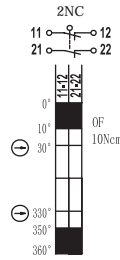
### SND2181



#### SND2181-SL Slow Action (Changeover)



#### SND2181-SL2 Slow Action



**Order Code**

SND2181-SL\_

**Contact block**

SL slow action 1NO+1NC BBM

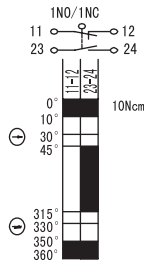
SND2181-SL2\_

SL2 slow action 2NC

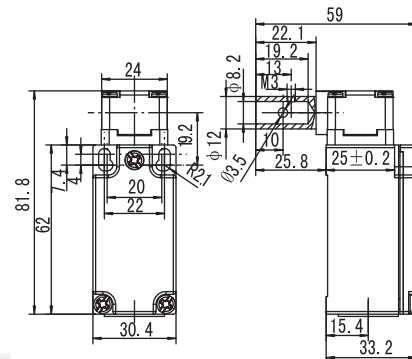
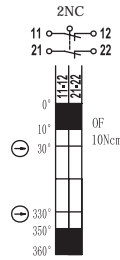
### SN4181



#### SN4181-SL Slow Action (Changeover)



#### SN4181-SL2 Slow Action



**Order Code**

SN4181-SL\_

**Contact block**

SL slow action 1NO+1NC BBM

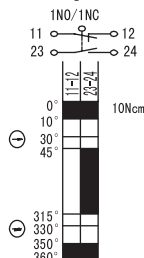
SN4181-SL2\_

SL2 slow action 2NC

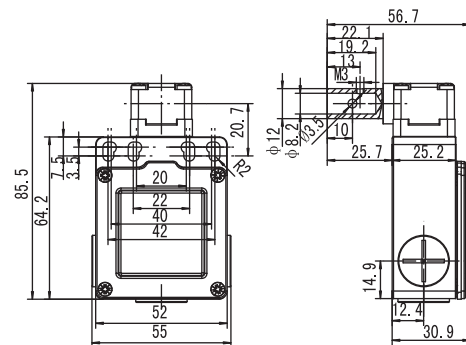
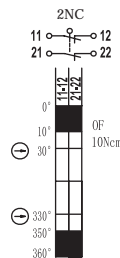
### SN2181



#### SN2181-SL Slow Action (Changeover)



#### SN2181-SL2 Slow Action



**Order Code**

SN2181-SL\_

**Contact block**

SL slow action 1NO+1NC BBM

SN2181-SL2\_

SL2 slow action 2NC