

INTERLOCKING SAFETY SWITCHES

Features

- Galvanically separated contacts
- Screw terminals with self-lifting clamps for easy wiring
- Positive Opening of NC contacts
- 4 x 90° actuator positions
- Horizontal or Vertical Operation

Definitions of Operating Characteristics

- OF Operating Force
- RF Releasing Force
- OT Overtravel
- TT Total Travel
- PT Pretravel
- MD Movement Differential
- OP Operating Position
- PO Travel to Positive Opening



Specifications

Operating Speed	0.05mm-0.5m/sec
Operating Frequency	Mechanical: 120ops/min Electrical: 30 ops/min
Insulation Resistance	>100MΩ@500V DC
Contact Resistance	<25mΩ (initial value)
Rated Current/Voltage	10A/600V AC (EN60947-5-1) AC15 A600 / DC13 Q300
Dielectric Strength	1000VAC for 1 min between current carrying parts 2500VAC for 1 min between non-current carrying parts
Service Life	Mechanically 1.0 x10 ⁷ (operations) Electrically 5 x10 ⁵ (operations)
Operating Temperature	-25~+80°C (-13~176°F)
Humidity	< 95%RH
Degree of Protection	IP65/ IP67

Plastic-Bodied Interlock Safety Switch

SND2191

SND2191-SL
Slow Action
(Changeover)
1NO/1NC

SND2191-SL2
Slow Action

2NC

SND2191-SL7
Slow Action
(Overlapping)

2NC/1NO

Order Code	Contact block
SND2191-SL- _	SL ⊕ slow action 1NO+1NC BBM
SND2191-SL2- _	SL2 ⊕ slow action 2NC
SND2191-SL7- _	SL7 ⊕ slow action 2NC/1NO MBB

SND4191

SND4191-SL
Slow Action
(Changeover)
1NO/1NC

SND4191-SL2
Slow Action

2NC

SND4191-SL7
Slow Action
(Overlapping)

2NC/1NO

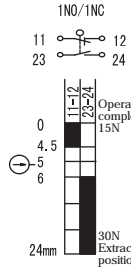
Order Code	Contact block
SND4191-SL- _	SL ⊕ slow action 1NO+1NC BBM
SND4191-SL2- _	SL2 ⊕ slow action 2NC
SND4191-SL7- _	SL7 ⊕ slow action 2NC/1NO MBB

INTERLOCKING SAFETY SWITCHES

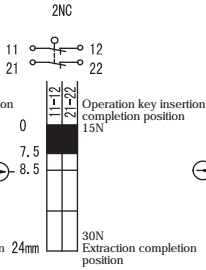
SN6191



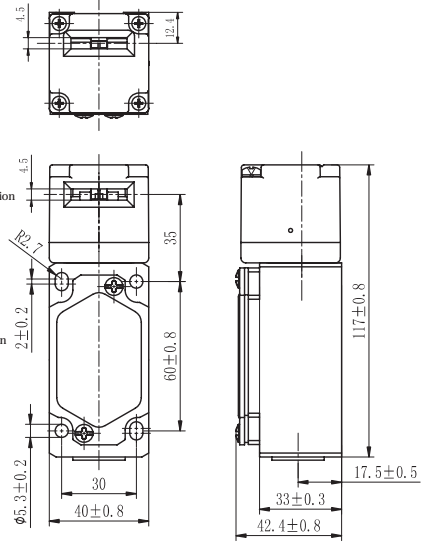
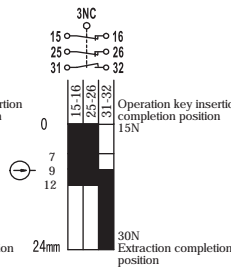
SN6191-SL
slow action
(Changeover)



SN6191-SL2
slow action
(Overlapping)



SN6191-SL7
slow action

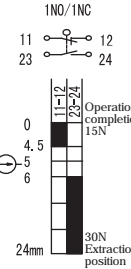


Order Code	Contact block
SN6191-SL- _	SL slow action 1NO+1NC BBM
SN6191-SL2- _	SL2 slow action 2NC
SN6191-SL7- _	SL7 slow action 2NC/1NO

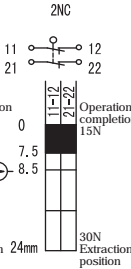
SND6191



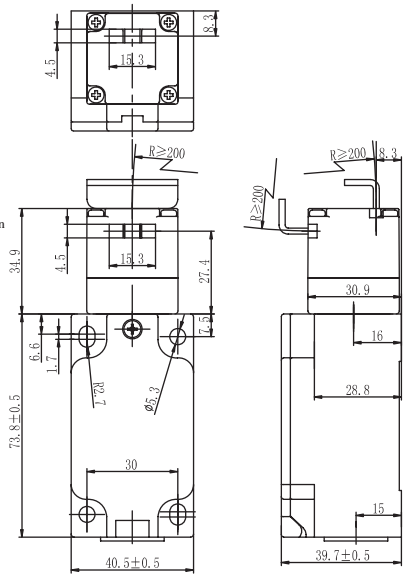
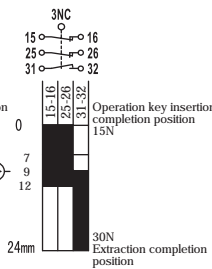
SND6191-SL
slow action
(Changeover)



SND6191-SL2
slow action
(Overlapping)



SND6191-SL7
slow action

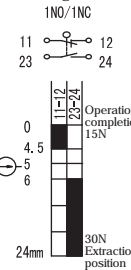


Order Code	Contact block
SND6191-SL- _	SL slow action 1NO+1NC BBM
SND6191-SL2- _	SL2 slow action 2NC
SND6191-SL7- _	SL7 slow action 2NC/1NO

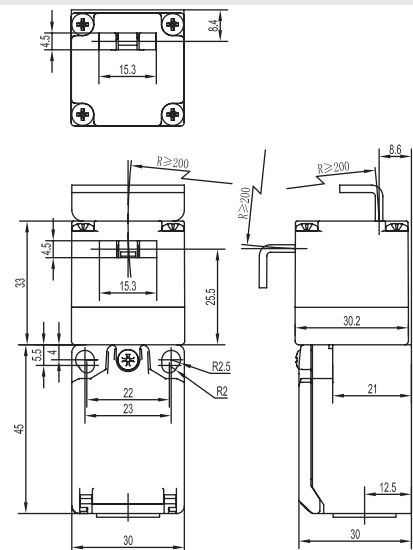
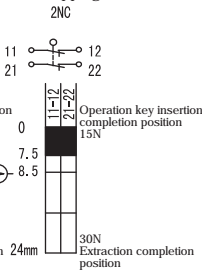
SMN4191



SMN4191-SL
slow action
(Changeover)



SMN4191-SL2
slow action
(Overlapping)



Order Code	Contact block
SMN4191-SL- _	SL slow action 1NO+1NC BBM
SMN4191-SL2- _	SL2 slow action 2NC

INTERLOCKING SAFETY SWITCHES KEY

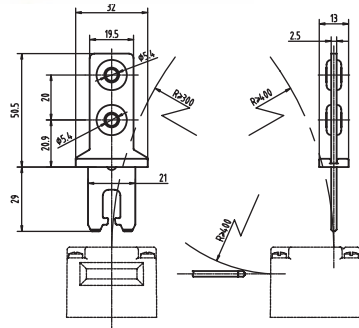
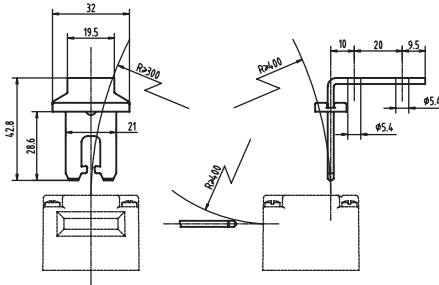
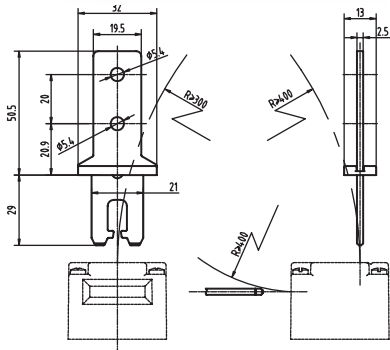
SN-K1



SN-K2



SN-K4



. For use with SN6191 and SSD6191 (Material: stainless steel)

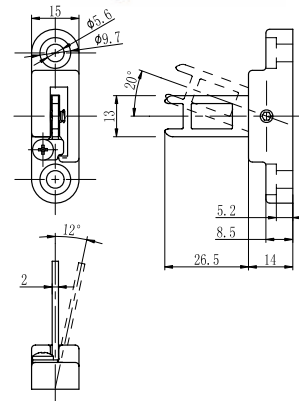
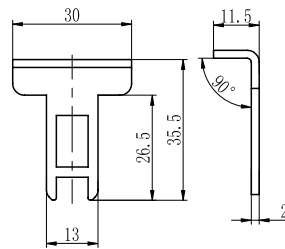
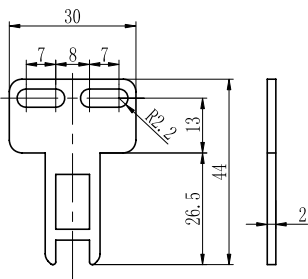
SND-K1



SND-K2



SND-K3



. For use with SND2191, SND4191, SMN4191 and SND6191 (Material: stainless steel)