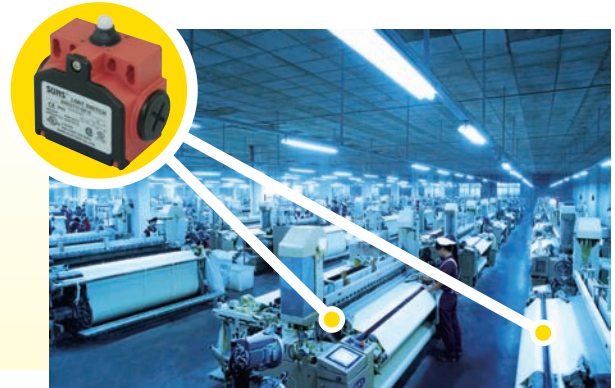


GLOBAL STYLE SAFETY LIMIT SWITCHES (PLASTIC BODIED EN50047 COMPATIBLE) SND2 SERIES (2 - CONDUIT ENTRIES)

*More reasonable cost so
that more and more enterprises
choose the SUNS*



Features

- Glass fiber reinforced plastic body
- Easily interchangeable contact block
- Galvanically separated contacts
- Screw terminals with self-lifting clamps for easy wiring
- Positive Opening of NC contacts
- 4 x 90° actuator positions
- Cable entry available: M20, PG13.5 and 1/2"NPT
- Conform to EN 50047 standard

Definitions of Operating Characteristics

OF	Operating Force	
RF	Releasing Force	
OT	Overtravel	
TT	Total Travel	
PT	Pretravel	
MD	Movement Differential	
OP	Operating Position	
PO	Travel to Positive Opening	

Specifications

Operating Speed	0.05mm-2m/sec
Operating Frequency	Mechanical: 120ops/min Electrical: 30 ops/min
Insulation Resistance	>100MΩ@500V DC
Contact Resistance	<25mΩ (initial value)
Rated Current/Voltage	10A/600V AC (EN60947-5-1) AC15 A600 / DC13 Q300
Dielectric Strength	1000VAC for 1 min between current carrying parts 2500VAC for 1 min between non-current carrying parts
Service Life	Mechanically 1.0 x 10 ⁷ (operations) Electrically 5 x 10 ⁵ (operations)
Operating Temperature	-25~+80°C (-13~176°F) with no icing
Humidity	< 95%RH
Weight	59-109g
Degree of Protection	IP65

Selection Guide:

SND21	04	SP	C	-	R
Body Styles	Head Styles	<ul style="list-style-type: none"> — SP: 1NO/1NC Snap action — SPT: 2NO/2NC Snap action — SL: BBM 1NO/1NC Slow Action changeover — SL1: MBB 1NO/1NC Slow Action Overlapping — SL2: 2NC Slow Action — SL3: 2NO Slow Action — SL4: 3NC Slow Action — SL5: 3NO Slow Action — SL6: BBM 2NC/1NO Slow Action changeover — SL7: MBB 2NC/1NO Slow Action Overlapping — SL8: BBM 2NO/1NC Slow Action changeover — SL9: MBB 2NO/1NC Slow Action Overlapping 	Conduits		
			<ul style="list-style-type: none"> — A: 1/2"NPT — B: PG13.5 — C: M20 — D: M16 — B1: PG11 		<ul style="list-style-type: none"> — Blank — R: with Reset

GLOBAL STYLE SAFETY LIMIT SWITCHES (PLASTIC BODIED EN50047 COMPATIBLE) SND2 SERIES (2 - CONDUIT ENTRIES)

Available contact blocks and travel diagrams



Plunger type
11, 12, 31, 32 styles

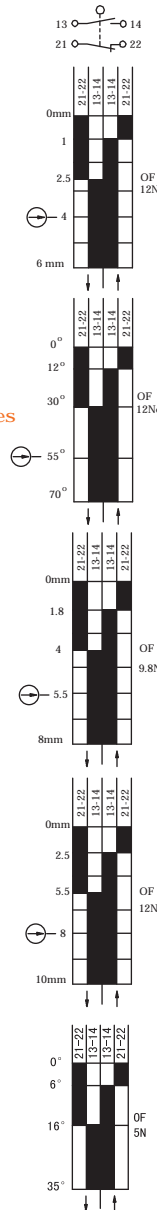
Side rotary type
04, 07, 08, 14, 18 Styles

62, 63 styles

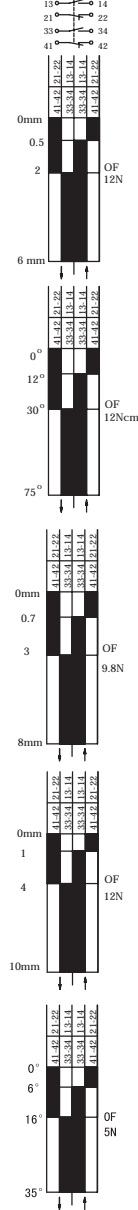
72, 73 styles

00, 66, 69 styles

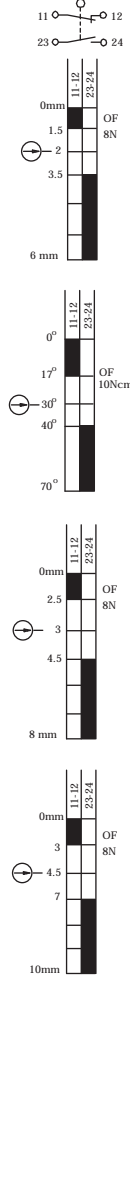
SP
1NO/1NC
Snap Action



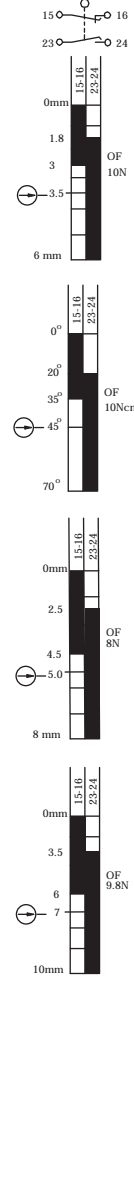
SPT
2NO/2NC
Snap Action



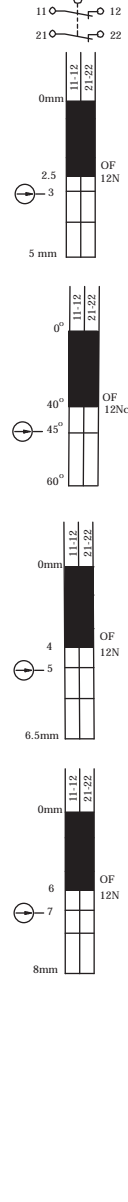
SL
1NO/1NC
Slow Action
(Changeover)



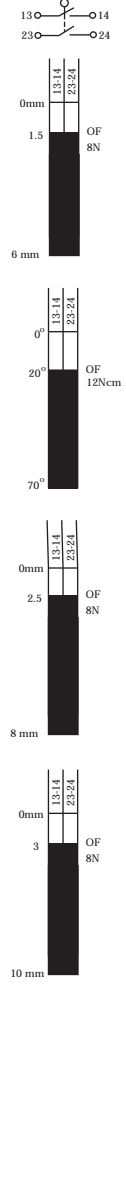
SL1
1NO/1NC
Slow Action
(Overlapping)



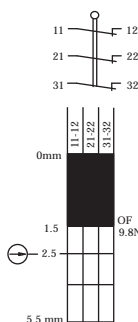
SL2
2NC
Slow Action



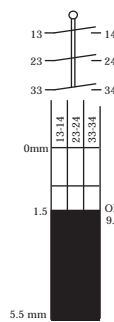
SL3
2NO
Slow Action



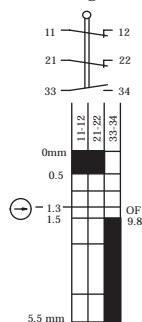
SL4
3NC
Slow Action



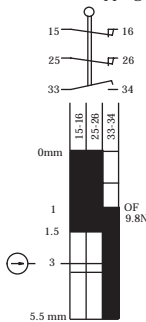
SL5
3NO
Slow Action



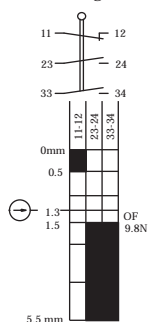
SL6
2NC/1NO
Slow Action
(Changeover)



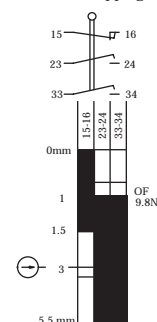
SL7
2NC/1NO
Slow Action
(Overlapping)



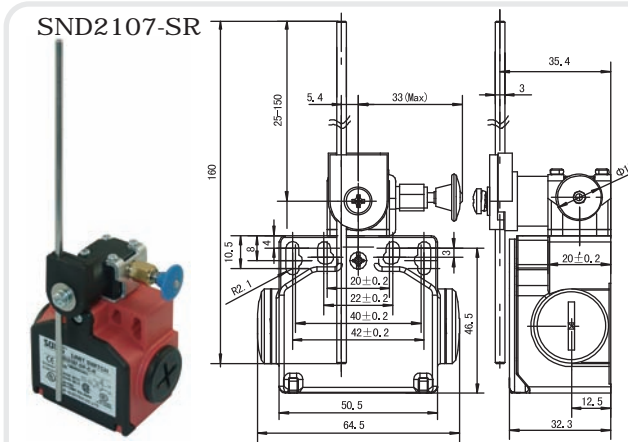
SL8
1NC/2NO
Slow Action
(Changeover)



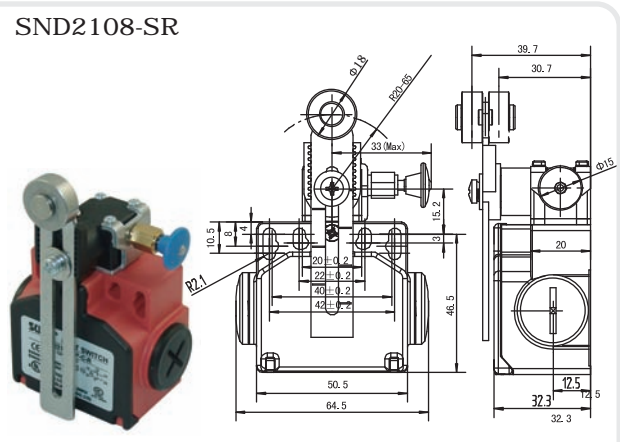
SL9
1NC/2NO
Slow Action
(Overlapping)



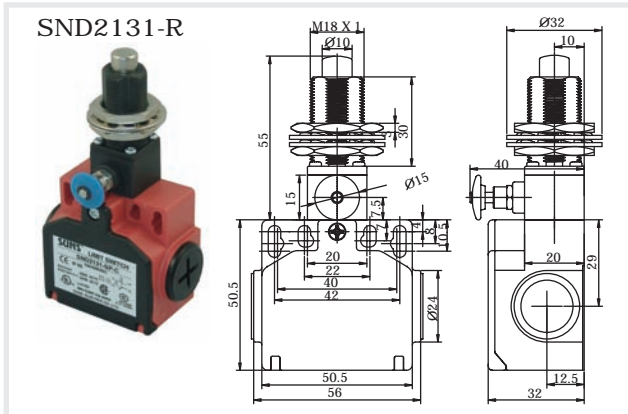
GLOBAL STYLE SAFETY LIMIT SWITCHES (PLASTIC BODIED EN50047 COMPATIBLE) SND2 SERIES (2 - CONDUIT ENTRIES WITH RESET)



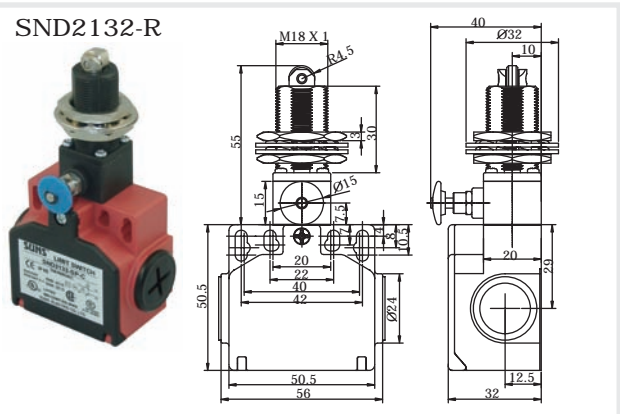
Order Code	Contact block
SND2107-SP- _SR	SP → snap action 1NO+1NC
SND2107-SL- _SR	SL → slow action 1NO+1NC BBM
SND2107-SL1- _SR	SL1 → slow action 1NO+1NC MBB
SND2107-SL2- _SR	SL2 → slow action 2NC



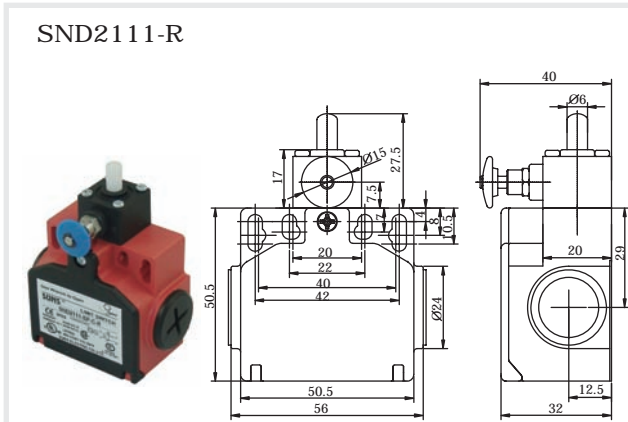
Order Code	Contact block
SND2108-SP- _SR	SP → snap action 1NO+1NC
SND2108-SL- _SR	SL → slow action 1NO+1NC BBM
SND2108-SL1- _SR	SL1 → slow action 1NO+1NC MBB
SND2108-SL2- _SR	SL2 → slow action 2NC



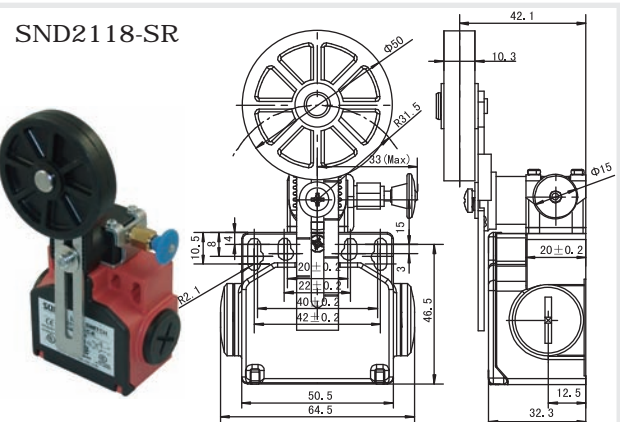
Order Code	Contact block
SND2131-SP- _L - R	SP → snap action 1NO+1NC
SND2131-SL- _L - R	SL → slow action 1NO+1NC BBM
SND2131-SL1- _L - R	SL1 → slow action 1NO+1NC MBB
SND2131-SL2- _L - R	SL2 → slow action 2NC



Order Code	Contact block
SND2132-SP- _L - R	SP → snap action 1NO+1NC
SND2132-SL- _L - R	SL → slow action 1NO+1NC BBM
SND2132-SL1- _L - R	SL1 → slow action 1NO+1NC MBB
SND2132-SL2- _L - R	SL2 → slow action 2NC



Order Code	Contact block
SND2111-SP- _L - R	SP → snap action 1NO+1NC
SND2111-SL- _L - R	SL → slow action 1NO+1NC BBM
SND2111-SL1- _L - R	SL1 → slow action 1NO+1NC MBB
SND2111-SL2- _L - R	SL2 → slow action 2NC



Order Code	Contact block
SND2118-SP- _SR	SP → snap action 1NO+1NC
SND2118-SL- _SR	SL → slow action 1NO+1NC BBM
SND2118-SL1- _SR	SL1 → slow action 1NO+1NC MBB
SND2118-SL2- _SR	SL2 → slow action 2NC