

GLOBAL STYLE SAFETY LIMIT SWITCHES (METAL BODIED EN50047 COMPATIBLE) SN2 SERIES (3 - CONDUIT ENTRIES)

We are committed to delivering world class products and services efficiently and effectively to our customers and their total satisfaction is our goal.



Features

- Zinc die cast body
- Earth grounding surface on same level as switching
- Easily interchangeable contact block
- Galvanically separated contacts
- Screw terminals with self-lifting clamps for easy wiring
- Positive Opening of NC contacts
- 4 x 90° actuator positions
- Cable entry available: M20, PG13.5 and 1/2"NPT
- Conform to EN 50047 standard

Definitions of Operating Characteristics

- OF Operating Force
- RF Releasing Force
- OT Overtravel
- TT Total Travel
- PT Pretravel
- MD Movement Differential
- OP Operating Position
- PO Travel to Positive Opening



Specifications

Operating Speed	0.05mm-2m/sec
Operating Frequency	Mechanical: 120ops/min Electrical: 30 ops/min
Insulation Resistance	>100MΩ@500V DC
Contact Resistance	<25mΩ (initial value)
Rated Current/Voltage	10A/600V AC (EN60947-5-1) UL/cUL Listed (E216958) AC15 A600 / DC13 Q300
Dielectric Strength	1000VAC for 1 min between current carrying parts 2500VAC for 1 min between non-current carrying parts
Service Life	Mechanically 1.0 x10 ⁷ (operations) Electrically 5 x10 ⁵ (operations)
Operating Temperature	-25~+80°C (-13~176°F) with no icing
Humidity	< 95%RH
Weight	270-320g
Degree of Protection	IP67

Selection Guide:

SN21

Body Styles

04

Head Styles

SP

- SP: 1NO/1NC Snap action
- SPT: 2NO/2NC Snap action
- SL: BBM 1NO/1NC Slow Action changeover
- SL1: MBB 1NO/1NC Slow Action Overlapping
- SL2: 2NC Slow Action
- SL3: 2NO Slow Action
- SL4: 3NC Slow Action
- SL5: 3NO Slow Action
- SL6: BBM 2NC/1NO Slow Action changeover
- SL7: MBB 2NC/1NO Slow Action Overlapping
- SL8: BBM 2NO/1NC Slow Action changeover
- SL9: MBB 2NO/1NC Slow Action Overlapping

C

Conduits

- A: 1/2"NPT
- B: PG13.5
- C: M20 Conduits
- D: M16
- B1: PG11

R

- Blank
- R: with Reset

GLOBAL STYLE SAFETY LIMIT SWITCHES (METAL BODIED EN50047 COMPATIBLE) SN2 SERIES (3 - CONDUIT ENTRIES)

Available contact blocks and travel diagrams



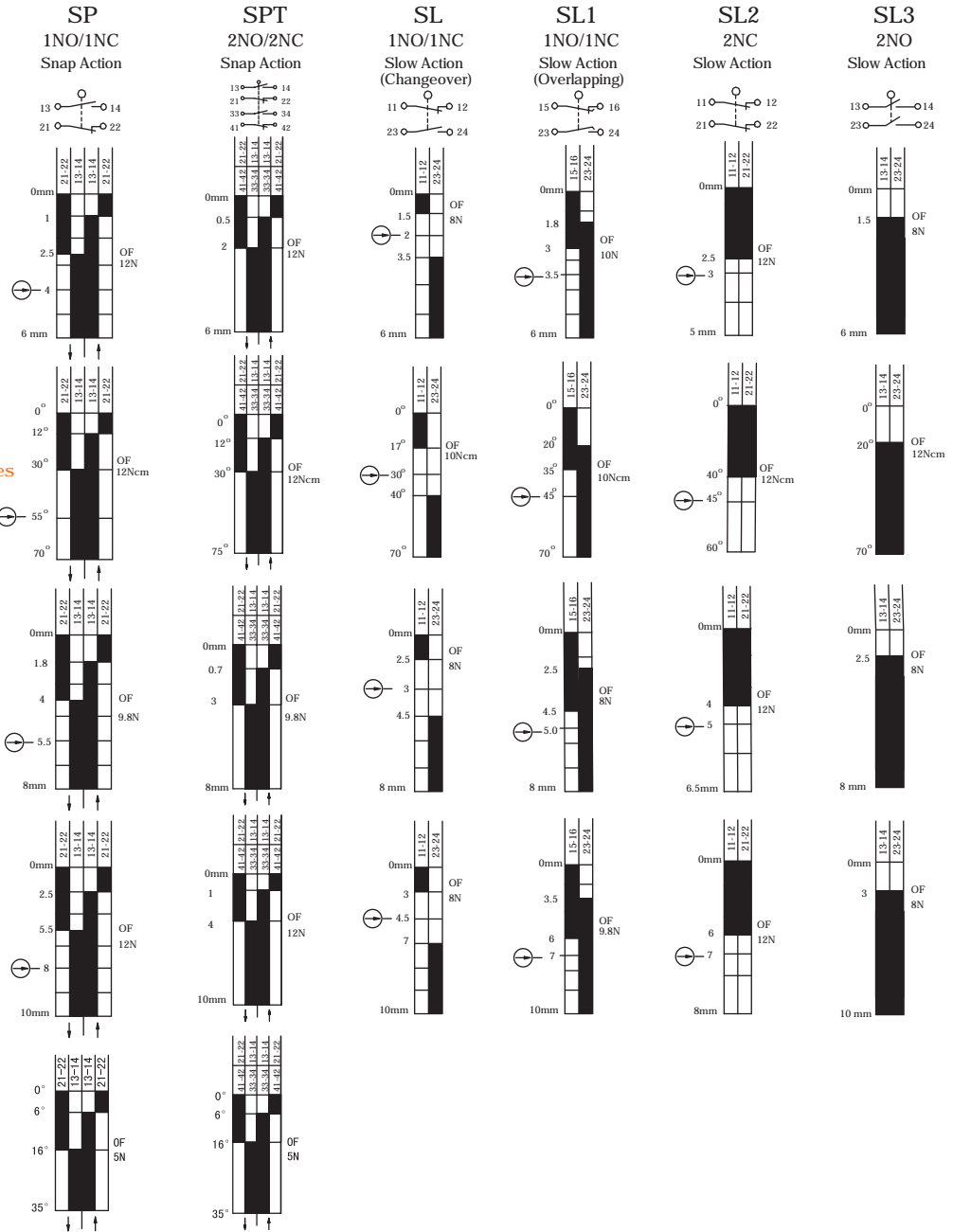
Plunger type
11, 12 styles

Side rotary type
04, 07, 08, 14, 18 Styles

62, 63 styles

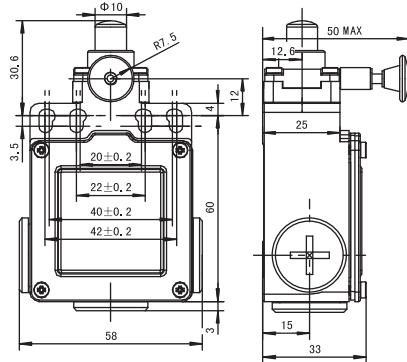
72, 73 styles

00, 66, 69 styles



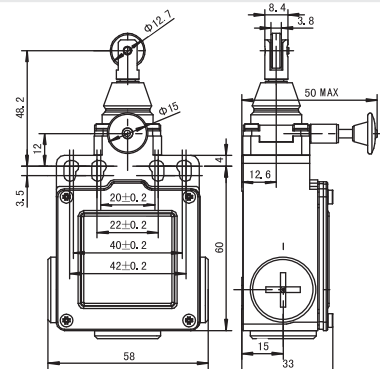
GLOBAL STYLE SAFETY LIMIT SWITCHES (METAL BODIED EN50047 COMPATIBLE) SN2 SERIES (3 - CONDUIT ENTRIES WITH RESET)

SN2111-R



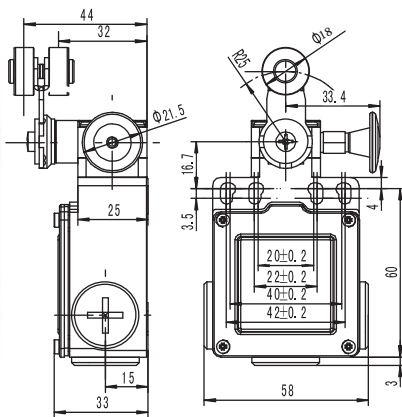
Order Code	Contact block			
SN2111-SP- _R	SP		snap action	1NO+1NC
SN2111-SL- _R	SL		slow action	1NO+1NC BBM
SN2111-SL1- _R	SL1		slow action	1NO+1NC MBB
SN2111-SL2- _R	SL2		slow action	2NC

SN2112-R



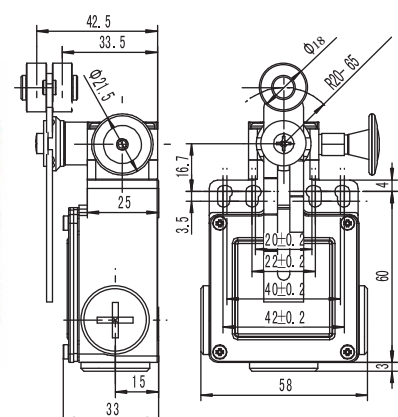
Order Code	Contact block			
SN2112-SP- _R	SP		snap action	1NO+1NC
SN2112-SL- _R	SL		slow action	1NO+1NC BBM
SN2112-SL1- _R	SL1		slow action	1NO+1NC MBB
SN2112-SL2- _R	SL2		slow action	2NC

SN2104-R



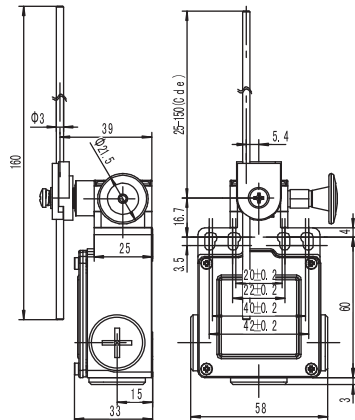
Order Code	Contact block			
SN2104-SP- _R	SP		snap action	1NO+1NC
SN2104-SL- _R	SL		slow action	1NO+1NC BBM
SN2104-SL1- _R	SL1		slow action	1NO+1NC MBB
SN2104-SL2- _R	SL2		slow action	2NC

SN2108-R



Order Code	Contact block			
SN2108-SP- _R	SP		snap action	1NO+1NC
SN2108-SL- _R	SL		slow action	1NO+1NC BBM
SN2108-SL1- _R	SL1		slow action	1NO+1NC MBB
SN2108-SL2- _R	SL2		slow action	2NC

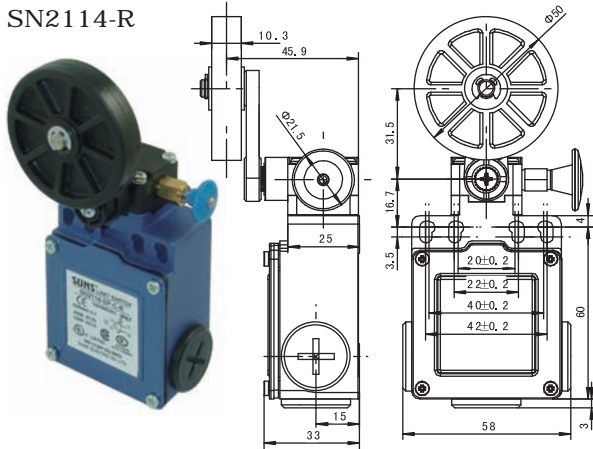
SN2107-R



Order Code	Contact block			
SN2107-SP- _R	SP		snap action	1NO+1NC
SN2107-SL- _R	SL		slow action	1NO+1NC BBM
SN2107-SL1- _R	SL1		slow action	1NO+1NC MBB
SN2107-SL2- _R	SL2		slow action	2NC

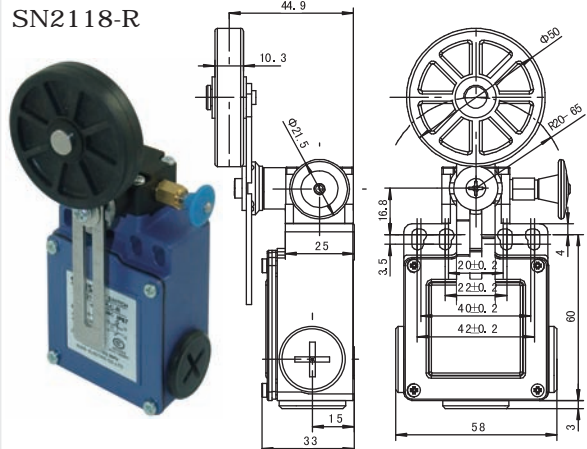
GLOBAL STYLE SAFETY LIMIT SWITCHES (METAL BODIED EN50047 COMPATIBLE) SN2 SERIES (3 - CONDUIT ENTRIES WITH RESET)

SN2114-R



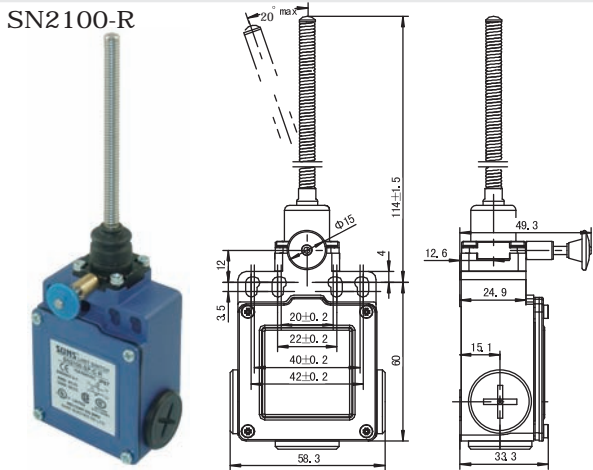
Order Code	Contact block	SP	SL	SL1	SL2	Function	Configuration
SN2114-SP- _R	SP	⊕				snap action	1NO+1NC
SN2114-SL- _R	SL	⊕				slow action	1NO+1NC BBM
SN2114-SL1- _R	SL1	⊕				slow action	1NO+1NC MBB
SN2114-SL2- _R	SL2	⊕				slow action	2NC

SN2118-R



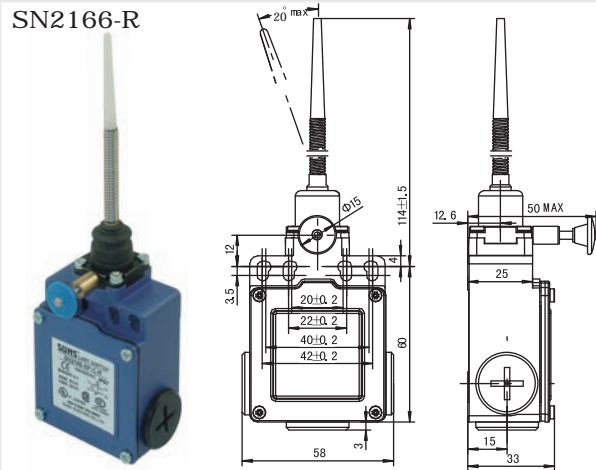
Order Code	Contact block	SP	SL	SL1	SL2	Function	Configuration
SN2118-SP- _R	SP	⊕				snap action	1NO+1NC
SN2118-SL- _R	SL	⊕				slow action	1NO+1NC BBM
SN2118-SL1- _R	SL1	⊕				slow action	1NO+1NC MBB
SN2118-SL2- _R	SL2	⊕				slow action	2NC

SN2100-R



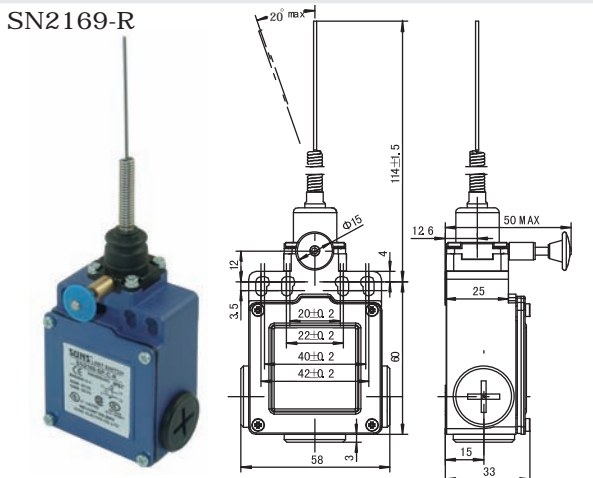
Order Code	Contact block	SP	Function	Configuration
SN2100-SP- _R	SP		snap action	1NO+1NC

SN2166-R



Order Code	Contact block	SP	Function	Configuration
SN2166-SP- _R	SP		snap action	1NO+1NC

SN2169-R



Order Code	Contact block	SP	Function	Configuration
SN2169-SP- _R	SP		snap action	1NO+1NC