

FSR Series Medical Foot Switches (IPX8, Rocker Style)

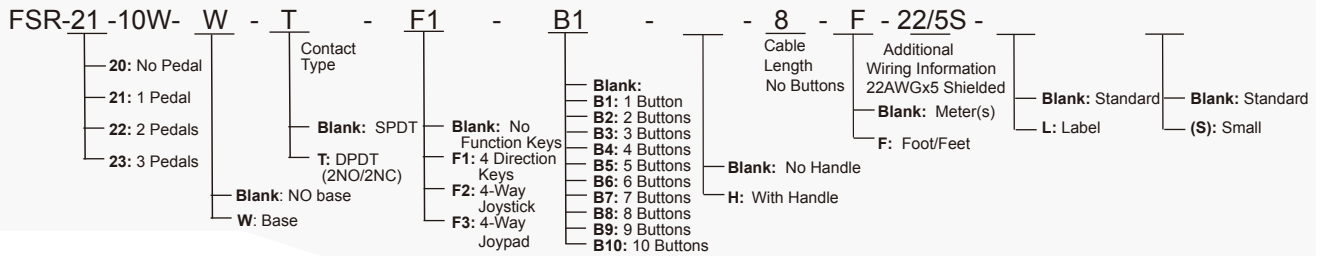
Features

- Aluminium alloy foot pedal
- Compact design
- Pedal rocks left and right for multifunction applications
- Various configurations available

Specifications

Operating Frequency	60 ops/min
Insulation Resistance	>100MΩ@500V DC
Contact Resistance	<25mΩ (initial)
Rated Current/Voltage	10A/15A 1/2HP 250VAC
Inrush Current	Complies with IEC947-5-1: AC15/DC13
Dielectric Strength	1000VAC for 1 min between current carrying parts 2500VAC for 1 min between non-current carrying parts
Service Life	1 x 10 ⁶ (operations)
Operating Temperature	-30~+80°C (-22~176°F)
Degree of Protection	IPX8

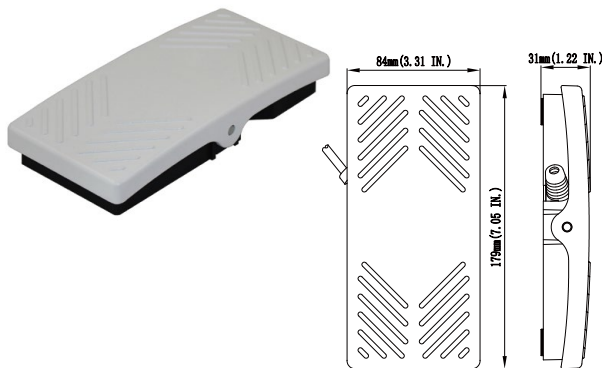
Selection Guide:



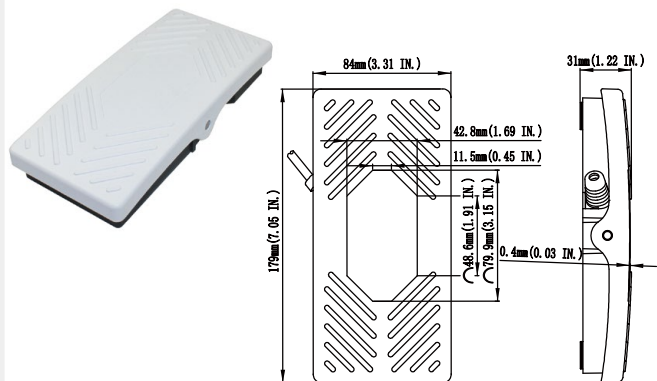
Dimensions:

*(S) is for dual pedals or three pedals, it is not suitable for F1 and B1 options

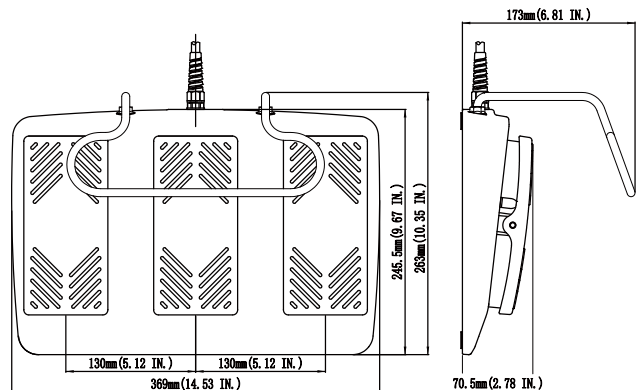
FSR-21-10W-2-20/4S
FSR-21-10W-T-2-22/5S



FSR-21-10W-2-20/4S-L

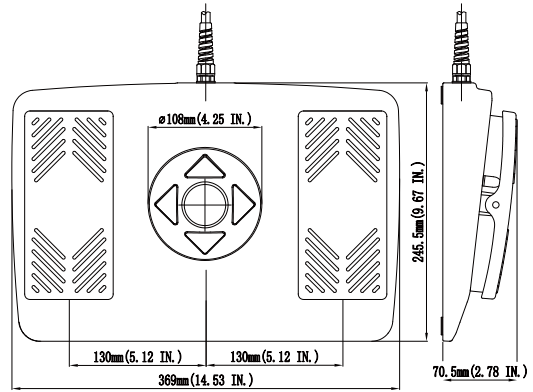


FSR-23-10W-W-H-2-22/5S

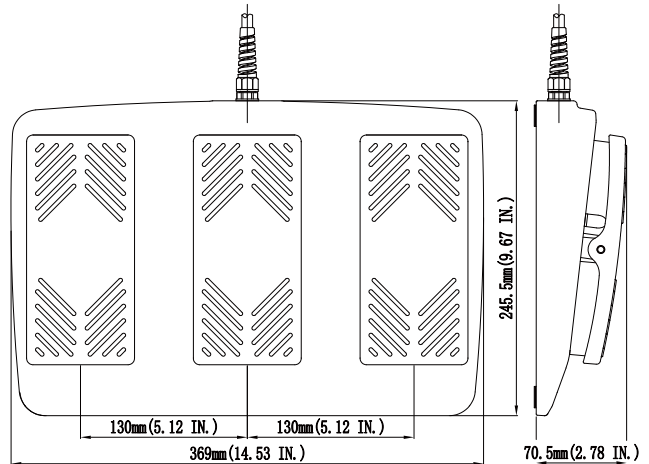


FSR Series Medical Foot Switches (IPX8, Rocker Style)

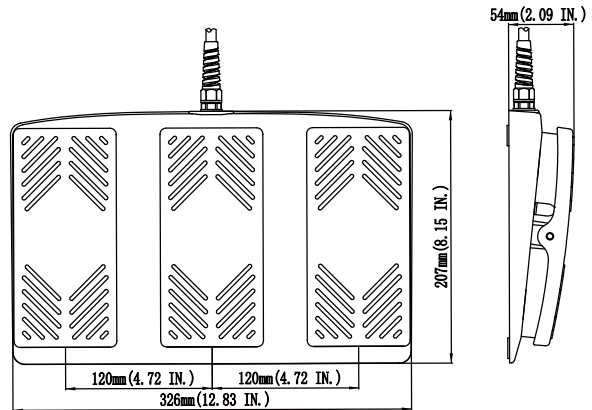
FSR-22-10W-W-F1



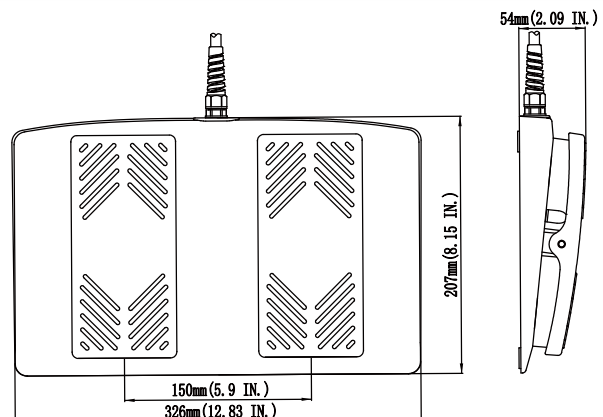
FSR-23-10W-W-2-22/9



FSR-23-10W-W-2-22/5S(S)

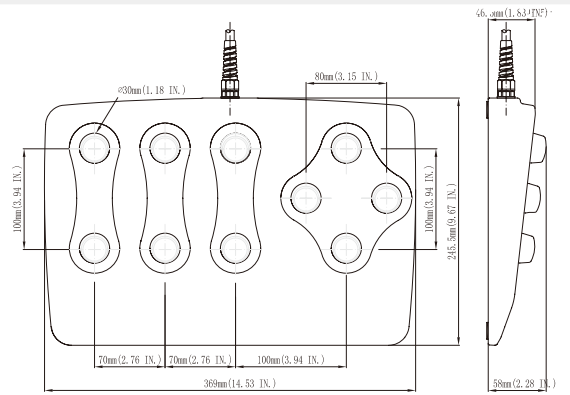


FSR-22-10W-W-2-22/5S(S)



FSR Series Medical Foot Switches (IPX8, Rocker Style)

FSR-20-10W-W-B10



FSR-22-10W-W-F2

