

CPB SERIES CAPACITIVE PUSHBUTTON (IP69K)

Features

- Robust stainless steel housing design
- Touch control, no mechanical force required
- Ideal for pharmaceutical, medical and food industries
- Housing design conform to DIN EN1672-1/2 (Hygiene)
- IP69K rated. Easy to clean.

Specifications

Supply Voltage	10-30VDC
Switching Current	200mA
Output Type	PNP-NO or NPN
Reverse Polarity Protection	Yes
Short Circuit Protection	Yes
Voltage Drop	Max. 2V @200mA
Current Consumption	Max. 20mA @24V
Operating Temperature	-30~+70°C (-22 ~158°F)
Service Life	100 million (operatings)
Degree of Protection	IP69K (Front), IP67 (Back)

Selection Guide:

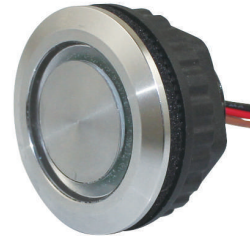
CPB - 22	-	P	-	24	-	M	-	P3	-	RG	-	M8
Mounting hole or Button diameter		Button Shape		Input Voltage (10-30VDC)		Output		Contact configuration		LED#1 and LED#2 Colors		Contact configuration
22: 22mm 30: 30mm		P: Pushbutton (clear or custom legend) S: Pushbutton (stainless steel insert)				Blank: Momentary M: Maintained S: 0.3S duration		P3: PNP/3-wire P4: PNP/4-wire P5: PNP/5-wire N3: NPN/3-wire		B: Black G: Green R: Red Y: Yellow O: Orange U: Blue W: White		L2: 2 meter wire F2: 2 feet wire M8: M8 connector M12: M12 connector

Product Pictures:

CPB22-P-24-P3-RG
Clear or Custom Legend

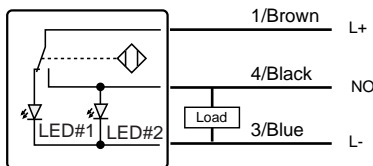


CPB30-S-24-P5-RG
With Stainless Steel Insert



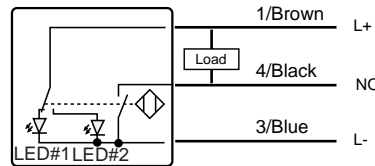
Wiring Diagrams:

P3: 3-Wire PNP



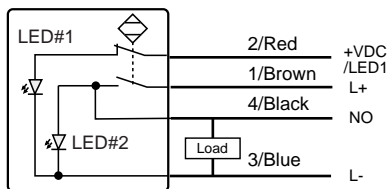
When the button surface touched, LED#1 turn off and LED#2 turn on.

N3: 3-Wire NPN



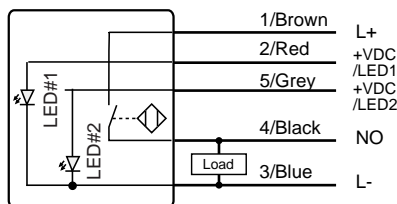
When the button surface touched, LED#1 turn off and LED#2 turn on.

P4: 4-Wire PNP



When the button surface touched, LED#1 turn off and LED#2 turn on.

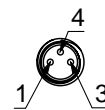
P5: 5-Wire PNP



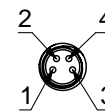
LED#1 and LED#2 can be wired independently.

Pin Configurations:

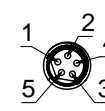
Connector M8, 3-pole



Connector M8, 4-pole


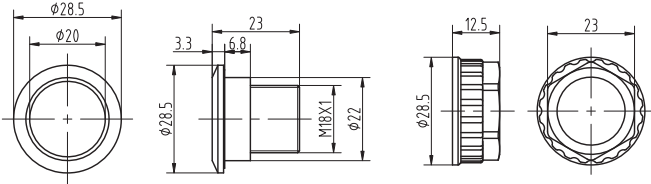

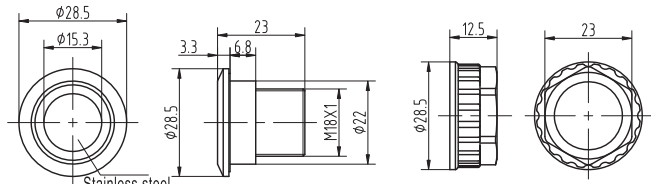
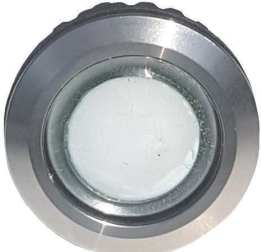
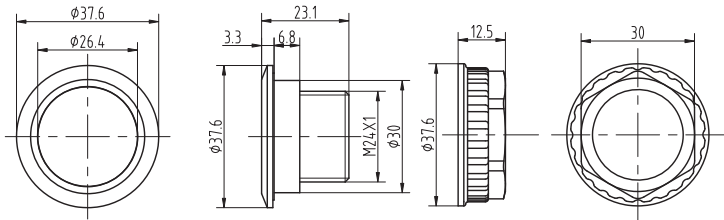


Connector M8, 5-pole



CPB SERIES CAPACITIVE PUSHBUTTON (IP69K)

Dimensions (mm)

<p>CPB22-P (22mm)</p> 	
<p>CPB22-S (22mm)</p> 	
<p>CPB30-P (30mm)</p> 	
<p>CPB30-S (30mm)</p> 