

FS-8_R Series Medical Foot Switches (IPX8, Rocker Style)

Features

- Robust glass fiber reinforced plastic
- Compact design
- Pedal rocks left and right for multifunction applications
- Various base options available

Specifications

Operating Frequency	60 ops/min
Insulation Resistance	>100MΩ@500V DC
Contact Resistance	<25mΩ (initial)
Rated Current/Voltage	10A/15A 1/2HP 250VAC
Inrush Current	Complies with IEC947-5-1: AC15/DC13
Dielectric Strength	1000VAC for 1 min between current carrying parts 2500VAC for 1 min between non-current carrying parts
Service Life	1 x 10 ⁶ (operations)
Operating Temperature	-30~+80°C (-22~176°F)
Degree of Protection	IPX8

Selection Guide:

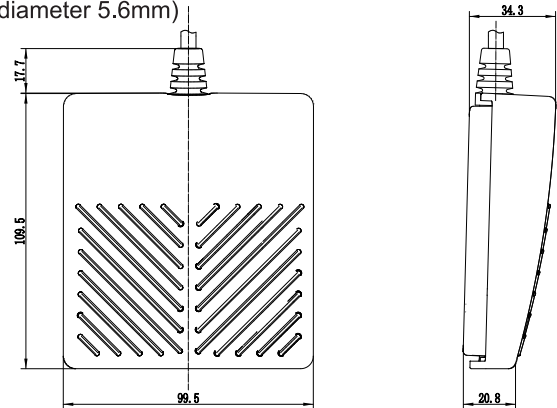
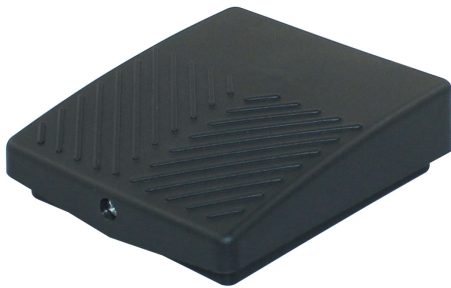
FS- 8 - R - G - 10W - W - M - B1 - 8 - F - 22/5S - (S)

- 8**: 81R: 1 Pedal, 82R: 2 Pedals, 83R: 3 Pedals
- R**: Rocker style
- G**: Guard
 - Blank: No guard
 - G: Fully guarded
- 10W**: 10W: 10W, 20W: 20W, 22W: 22W, 26W: 26W
- W**: Base
 - Blank: No base
 - W: Base
- M**: Pedal Material
 - Blank: Fiber reinforced plastic
 - M: Die cast zinc alloy
- B1**: Options
 - Blank: No button
 - B1: 1 Button
 - B2: 2 Buttons
 - B3: 3 Buttons
- 8**: Cable Length
- F**: Additional Wiring Information
 - Blank: Meter(s)
 - F: Foot/Foot
- 22/5S**: 22AWGx5 Shielded
- (S)**: Base
 - Blank: Large base
 - (S): Small base

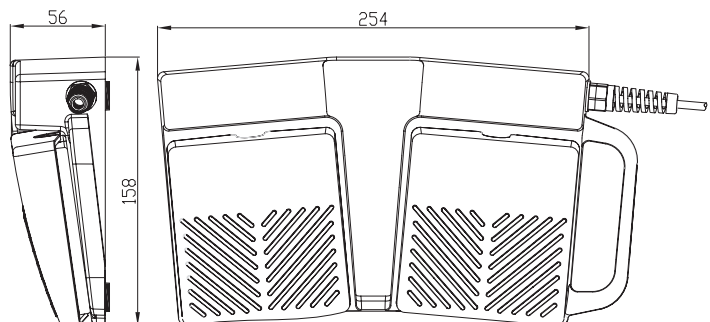
* Standard pedal color: Black

Dimensions:

FS-81R-10W-2-20/4S (20AWGx4, shielded, 1NO/1NC, cable diameter 7.0mm)
FS-81R-10W-2-22/5S (22AWGx5, shielded, 1NO/1NC, cable diameter 5.6mm)



FS-82R-10W-2-22/5S (22AWGx5, shielded, 2 meters, 2x 1NO, cable diameter 5.6mm)
FS-82R-10W-B1-26/7 (26AWGx7, PUR, coiled, 3x 1NO, cable diameter 5.3mm)
FS-82R-10W-B2-26/7 (26AWGx7, PUR, coiled, 4x 1NO, cable diameter 5.3mm)

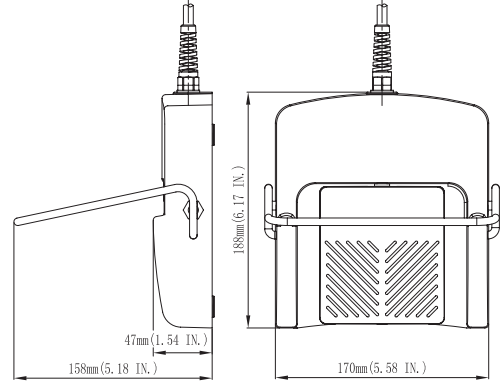


FS-8_R Series Medical Foot Switches (IPx8)

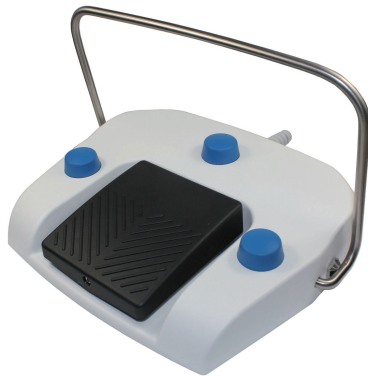
- FS-81R-10W-W-2-20/4S** (20AWGx4, shielded, 2 meters, 2x 1NO, cable diameter 7.0mm)
- FS-81R-10W-W-B1-20/4S** (20AWGx4, shielded, 2 meters, 3x 1NO, cable diameter 7.0mm)
- FS-82R-10W-W-B1-22/5S** (22AWGx5, shielded, 2 meters, 3x 1NO, cable diameter 5.6mm)
- FS-82R-10W-W-B2-22/5S** (22AWGx5, shielded, 2 meters, 4x 1NO, cable diameter 5.6mm)



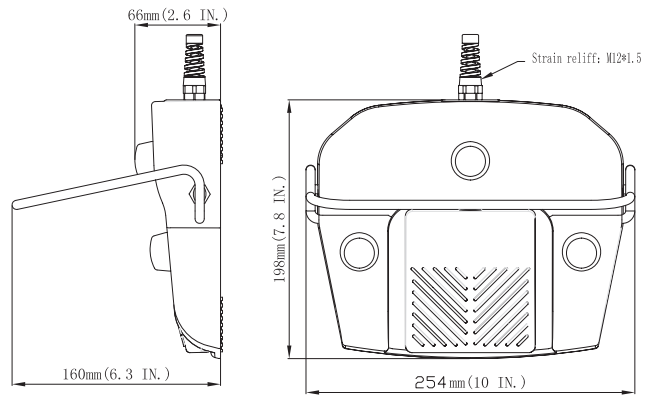
Unitary aluminium alloy base



- FS-81R-SP-W-B3-2-26/7** (26AWGx7, PUR, coiled, 5x 1NO, cable diameter 5.3mm)



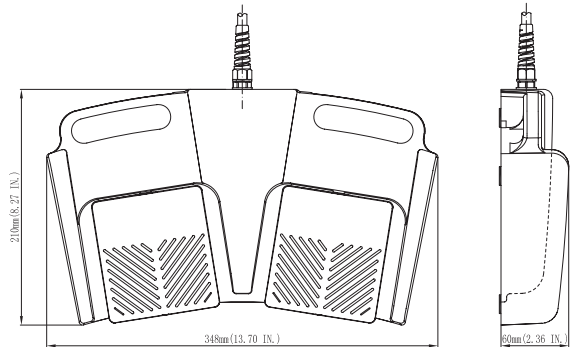
Unitary aluminium alloy base



- FS-82R-10W-W-2-22/5S** (22AWGx5, shielded, 2 meters, 4x 1NO, cable diameter 5.6mm)
- FS-82R-10W-W-B1-2-26/7** (26AWGx7, PUR, coiled, 5x 1NO, cable diameter 5.3mm)



Unitary aluminium alloy base

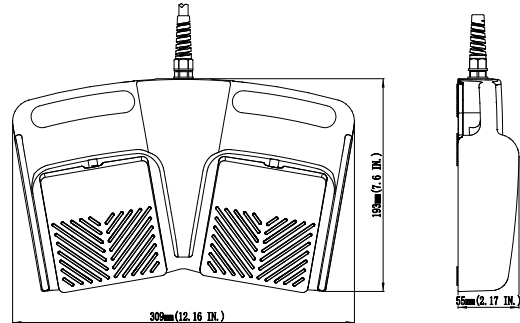


FS-8_R Series Medical Foot Switches (IPx8)

FS-82R-10W-W-2-22/5S(S) (22AWGx5, shielded, 2 meters, 4x 1NO, cable diameter 5.6mm)
FS-82R-10W-W-B1-2-26/7(S) (26AWGx7, PUR, coiled, 5x 1NO, cable diameter 5.3mm)



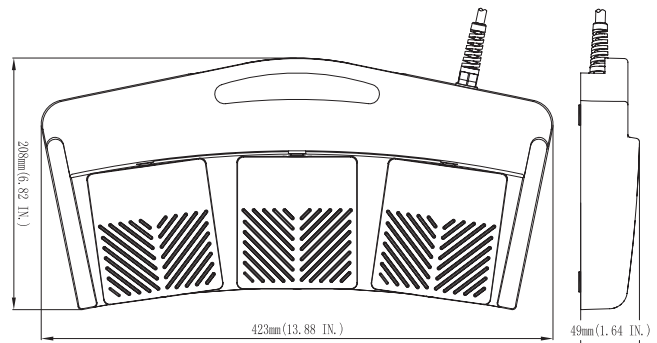
Unitary aluminium alloy base



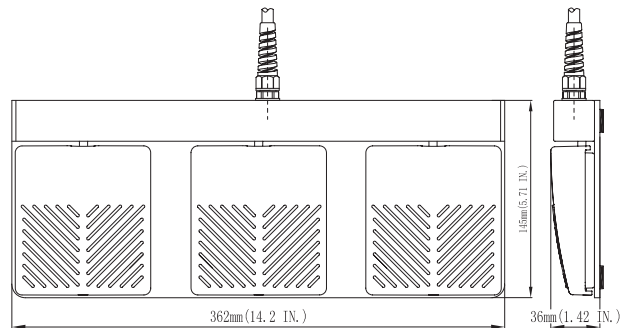
FS-83R-10W-W-26/7 (26AWGx7, PUR, coiled, 6x 1NO, cable diameter 5.3mm)



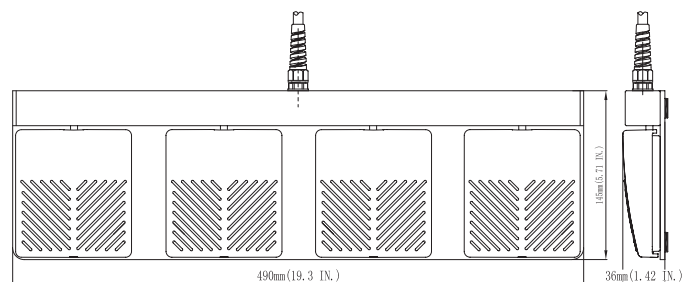
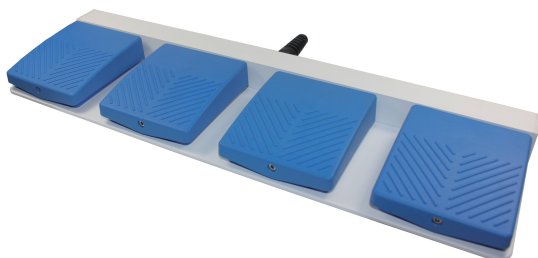
Unitary aluminium alloy base



FS-81R-10W(3-PEDAL) Black (26AWGx7, PUR, coiled, 6x 1NO, cable diameter 5.3mm)



FS-81R-10W(4-PEDAL) (26AWGx9, PUR, coiled, 8x 1NO, cable diameter 5.3mm)



FS-21 Series Medical Foot Switches (IPX8)

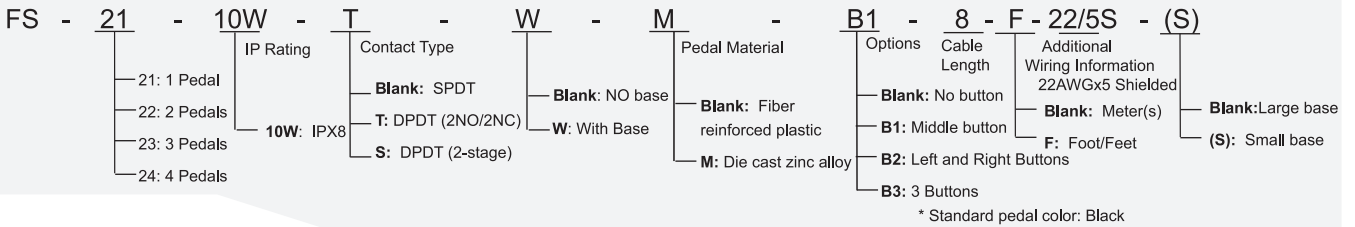
Features

- Robust glass fiber reinforced plastics
- Compact design
- Galvanically separated contacts with double-break
- Various base options available

Specifications

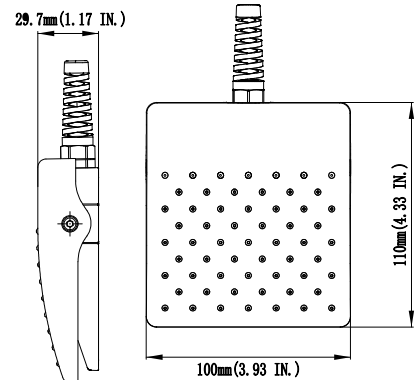
Operating Frequency	60 ops/min
Insulation Resistance	>100MΩ@500V DC
Contact Resistance	<25mΩ (initial)
Rated Current/Voltage	10A/15A 1/2HP 250VAC
Inrush Current	Complies with IEC947-5-1: AC15/DC13
Dielectric Strength	1000VAC for 1 min between current carrying parts 2500VAC for 1 min between non-current carrying parts
Service Life	1 x 10 ⁶ (operations)
Operating Temperature	-30~+80°C (-22~176°F)
Degree of Protection	IPX8

Selection Guide:



Dimensions:

FS-21-10W-2-20/4S (20AWGx4, shielded, 2 meters, 1NO/1NC, cable diameter 7.0mm)
FS-21-10W-2-22/5S (22AWGx5, shielded, 2 meters, 1NO/1NC, cable diameter 5.6mm)



FS-22-10W-2-20/4S (20AWGx4, shielded, 2 meters, 2x 1NO, cable diameter 7.0mm)
FS-22-10W-2-22/5S (22AWGx5, shielded, 2 meters, 2x 1NO, cable diameter 5.6mm)
FS-22-10W-B1-2-20/4S (20AWGx4, shielded, 2 meters, 3x 1NO, cable diameter 7.0mm)
FS-22-10W-B1-2-22/5S (22AWGx5, shielded, 2 meters, 3x 1NO, cable diameter 5.6mm)

