

## SNB Series Limit Switches for Hoisting and Mechanical Handling

Type of operating head	Rotary
Type of operator	Crossed metal rods



References N/C contact with positive opening operation (P)= positive opening point

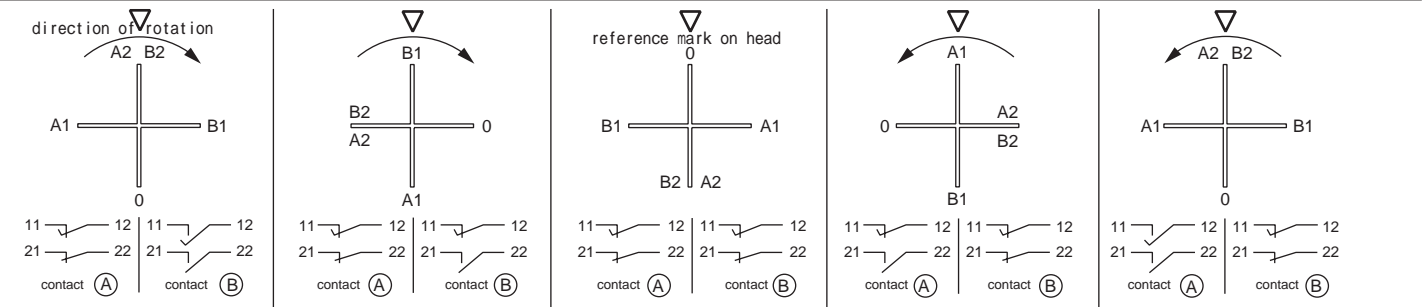
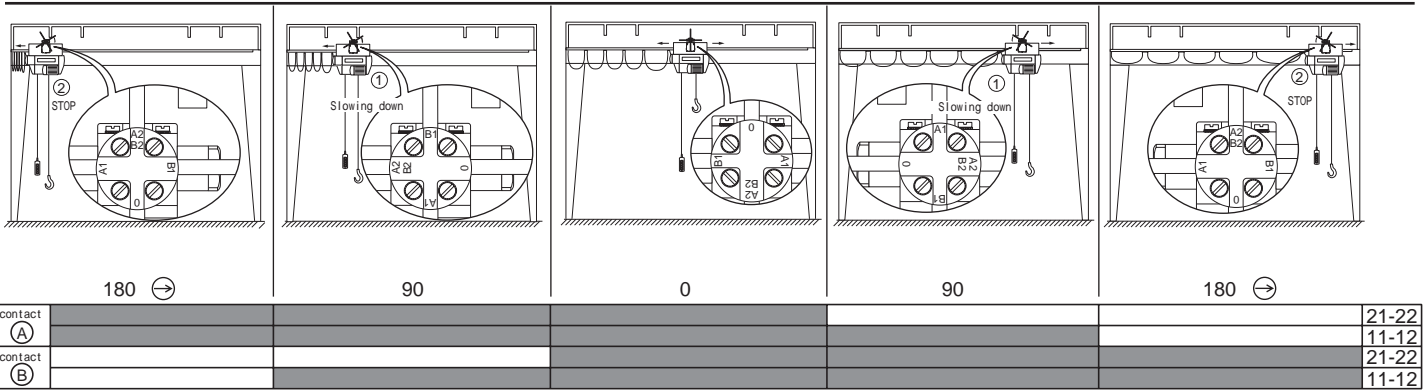
Two 2-pole N/C + N/C break before make slow break		SNB-27-SL2-N
		SNB-27-SL2-N-R (Operating head the opposite direction)
Weight (Kg)	0.550	

### Characteristics

Products	IEC 947-5-1, EN 60 947-5-1, VDE 0660-200
Conforming to standards	Machine assemblies IEC 204-1, EN 60 204-1, NF C 79-130
Ambient air temperature	Operation : - 25 ~ 70 °C Storage: - 40 ~ 70 °C
Resistance to vibration	25 gn(10 - 500Hz) conforming to IEC 68-2-6
Resistance to shock	50 gn conforming to IEC 68-2-27
Electric shock protection	Class I conforming to IEC 536 and NF C 20-030
Degree of protection	IP66
Mechanical durability	2 million Op. cycles
Torque	for tripping 0.5 Nm
	for positive opening 0.75 Nm
Maximum actuation speed	1.5m/s
Rated operational characteristics	AC-15 ; A300 or Ue = 240 V, Ie = 3 A DC-13 ; Q300 or Ue = 125 V, Ie = 0.55 A) conforming to IEC 947-5-1 Appendix A,
Rated insulation voltage	Ui = 600 V degree of pollution 3 conforming to IEC 97-1,EN60947-5-1
Rated impulse withstand voltage	U imp = 6 kV conforming to IEC 947-1, IEC 664
Positive operation	N/C contacts with positive opening operation conforming to IEC 947-5-1 , EN 60 947-5-1
Short-circuit protection	10A cartridge fuse type gG(gl)
Conduits	1/2NPT,M20X1.5,PG13.5
Cabling	Screw and captive cable clamp terminals. Clamping capacity, min.: 1 x 0.34 mm <sup>2</sup> , max.: 2 x 1.5 mm <sup>2</sup> or 1 x 2.5 mm <sup>2</sup> depending on contact Screw tightening torque max.:1.2Nm

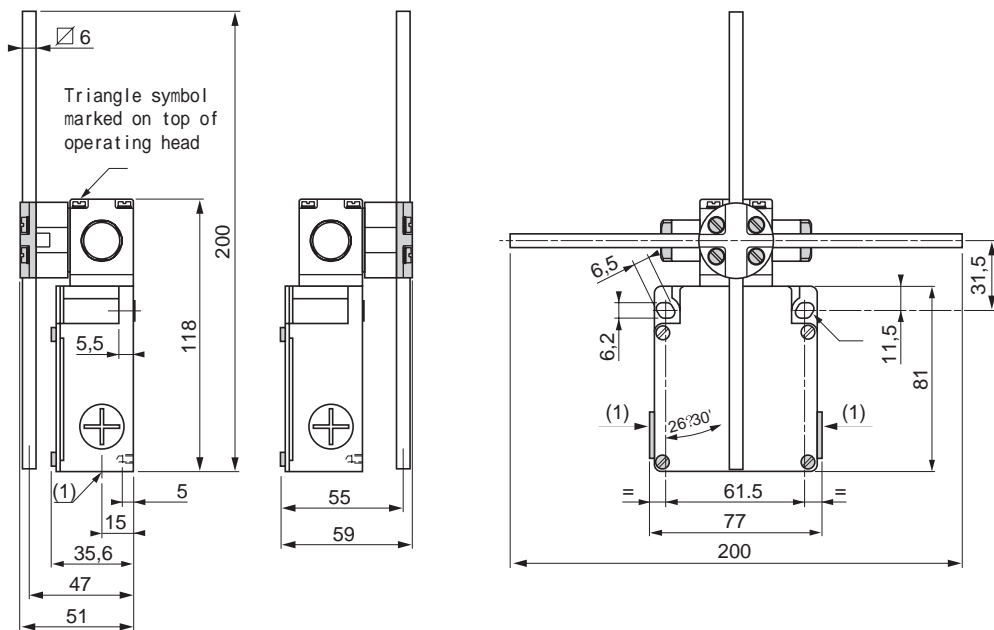
## SNB Series Limit Switches for Hoisting and Mechanical Handling

### Switch operation



### Dimensions (mm)

SNB-27-SL2-N



(1) 1/2NPT for SNB-27-SL2-N-A  
 M20X1.5 for SNB-27-SL2-N-C  
 PG13.5 for SNB-27-SL2-N-B