

COMPACT LIMIT SWITCHES (Metal Body, IP67 Water-Proof) SN32 SERIES (25mm) 5-CORE

	<p>Order Code</p> <p>SN3201-SP SP \rightarrow snap action 1NO+1NC</p> <p>SN3201-SL SL \rightarrow slow action 1NO+1NC BBM</p>
	<p>Order Code</p> <p>SN3212-SP SP \rightarrow snap action 1NO+1NC</p> <p>SN3212-SL SL \rightarrow slow action 1NO+1NC BBM</p>
	<p>Order Code</p> <p>SN3211-SP SP \rightarrow snap action 1NO+1NC</p> <p>SN3211-SL SL \rightarrow slow action 1NO+1NC BBM</p>
	<p>Order Code</p> <p>SN3222-SP SP \rightarrow snap action 1NO+1NC</p> <p>SN3222-SL SL \rightarrow slow action 1NO+1NC BBM</p>
	<p>Order Code</p> <p>SN3221-SP SP \rightarrow snap action 1NO+1NC</p> <p>SN3221-SL SL \rightarrow slow action 1NO+1NC BBM</p>
	<p>Order Code</p> <p>SN3202-SP SP \rightarrow snap action 1NO+1NC</p> <p>SN3202-SL SL \rightarrow slow action 1NO+1NC BBM</p>
	<p>Order Code</p> <p>SN3231-SP SP \rightarrow snap action 1NO+1NC</p> <p>SN3231-SL SL \rightarrow slow action 1NO+1NC BBM</p>
	<p>Order Code</p> <p>SN3203-SP SP \rightarrow snap action 1NO+1NC</p> <p>SN3203-SL SL \rightarrow slow action 1NO+1NC BBM</p>

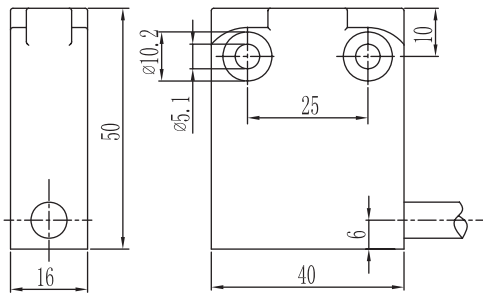
COMPACT LIMIT SWITCHES (Metal Body, IP67 Water-Proof) SN32 SERIES (25mm) 5-CORE

<p>Order Code</p> <p>SN3232-SP SP ↺ snap action 1NO+1NC</p> <p>SN3232-SL SL ↺ slow action 1NO+1NC BBM</p>	<p>Order Code</p> <p>SN3242-SP SP ↻ snap action 1NO+1NC</p> <p>SN3242-SL SL ↻ slow action 1NO+1NC BBM</p>
<p>Order Code</p> <p>SN3204-SP SP ↺ snap action 1NO+1NC</p> <p>SN3204-SL SL ↺ slow action 1NO+1NC BBM</p>	<p>Order Code</p> <p>SN3204-SP-S SP ↻ snap action 1NO+1NC</p> <p>SN3204-SL-S SL ↻ slow action 1NO+1NC BBM</p>
<p>Order Code</p> <p>SN3207-SP SP ↺ snap action 1NO+1NC</p> <p>SN3207-SL SL ↺ slow action 1NO+1NC BBM</p>	<p>Order Code</p> <p>SN3208-SP SP ↻ snap action 1NO+1NC</p> <p>SN3208-SL SL ↻ slow action 1NO+1NC BBM</p>
<p>Order Code</p> <p>SN3211-SP G SP ↺ snap action 1NO+1NC</p> <p>SN3211-SL G SL ↺ slow action 1NO+1NC BBM</p>	<p>Order Code</p> <p>SN3266-SP SP ↻ snap action 1NO+1NC</p> <p>SN3266-SL SL ↻ slow action 1NO+1NC BBM</p>

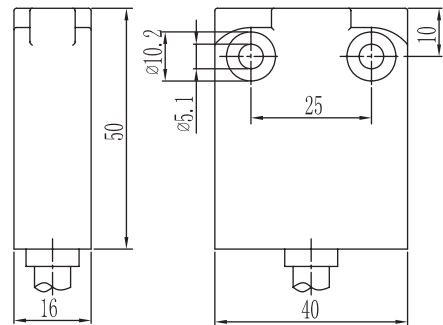
COMPACT LIMIT SWITCHES (Metal Body, IP67 Water-Proof) SN32 SERIES (25mm) 5-CORE

Basic Body dimension:

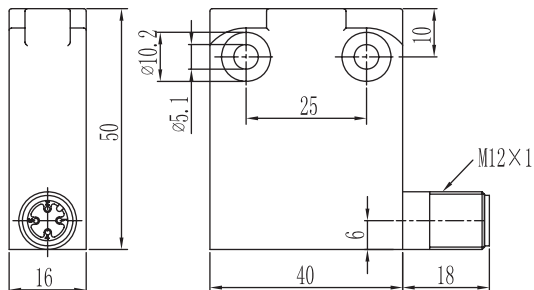
Suffix: -A (cable side exit)



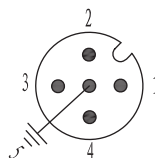
Suffix: -B (cable bottom exit)



Suffix: -C (M12 quick connector side exit 4 pin)
Suffix: -E (M12 quick connector side exit 5 pin)

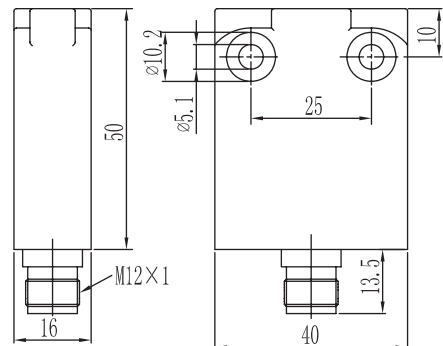


5 pin M12

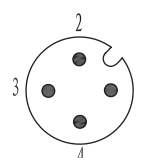


1-2=NC
3-4=NO
5=⏏

Suffix: -D (M12 Quick Connector bottom exit 4 pin)
Suffix: -F (M12 Quick Connector bottom exit 5 pin)



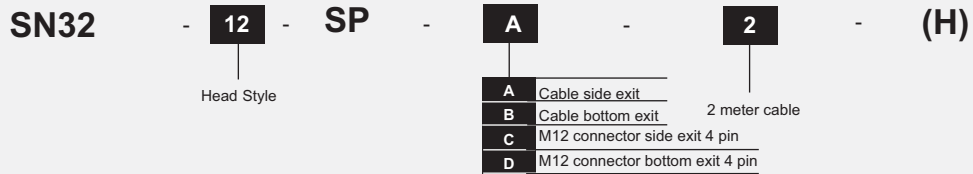
4 pin M12



1-2=NC
3-4=NO

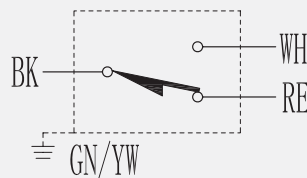
SN32(H) High Precision Compact Limit Switches (IP67)

Selection Guide:

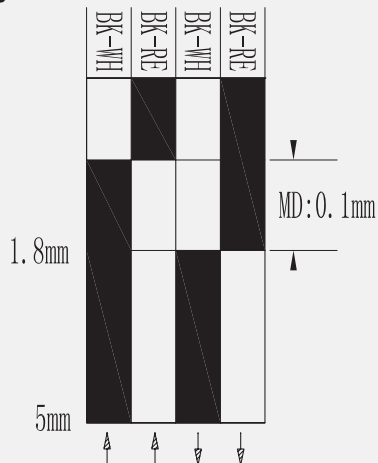


Specification

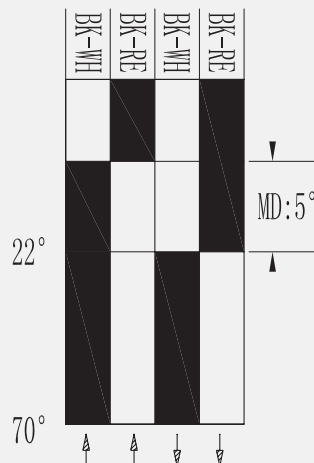
Operating Speed	0.05mm-2m/sec
Operating Frequency	Mechanical: 120ops/min Electrical: 30 ops/min
Insulation Resistance	>100MΩ@500V DC
Contact Resistance	<25mΩ (initial value)
Rated Voltage	300V AC (EN60947-5-1)
Rated Thermal Current	10A
Electrical Rating	AC15 A300 DC13 Q300
Dielectric Strength	1000VAC for 1 min between current carrying parts 2500VAC for 1 min between non-current carrying parts
Service Life	Mechanically 1.0 x10 ⁷ (operations) Electrically 5 x10 ⁵ (operations)
Operating Temperature	-25~+85°C without formation of ice
Humidity	< 95%RH
Cable	4 core, SJT
Degree of Protection	IP67



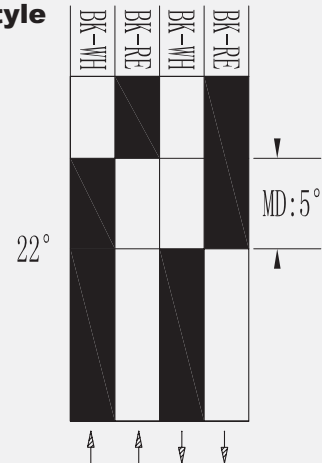
Plunger Style



Rotary Style

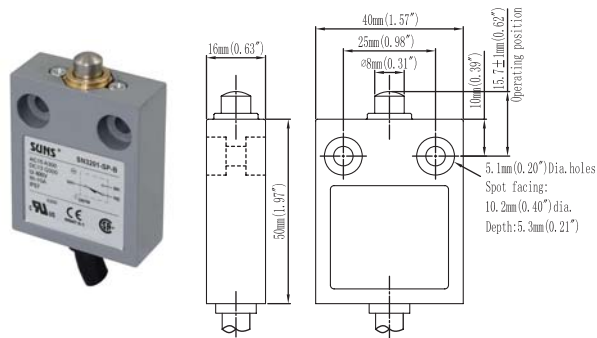


Spring Coil Style

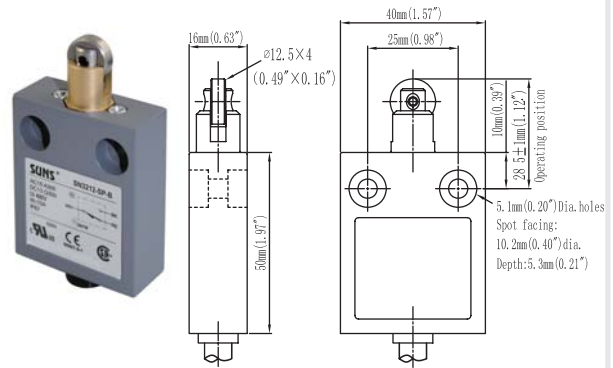


SN32(H) High Precision Compact Limit Switches (IP67 Water-Proof) SN32(H) SERIES (25mm) 4-CORE

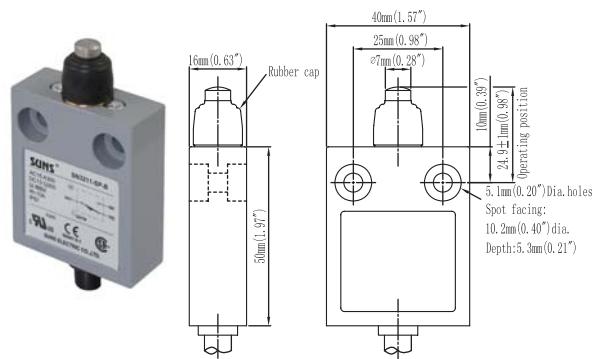
SN3201-SP(H)



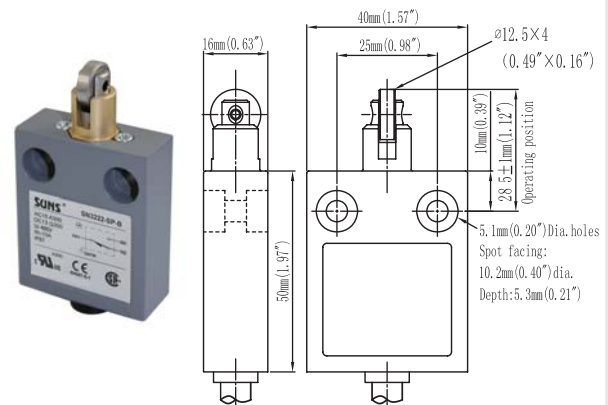
SN3212-SP(H)



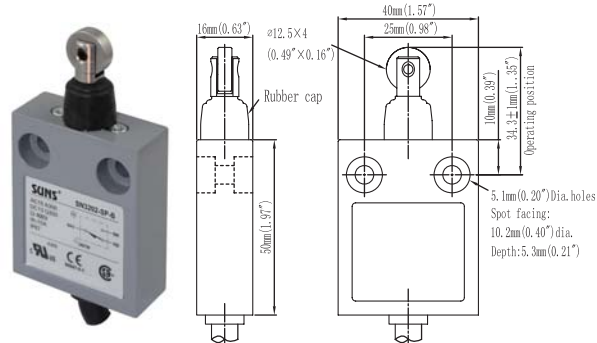
SN3211-SP(H)



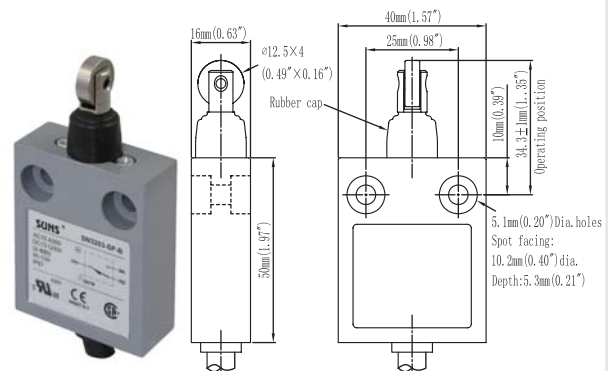
SN3222-SP(H)



SN3202-SP(H)

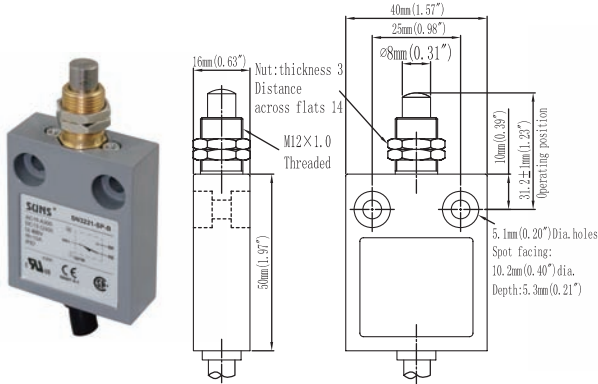


SN3203-SP(H)

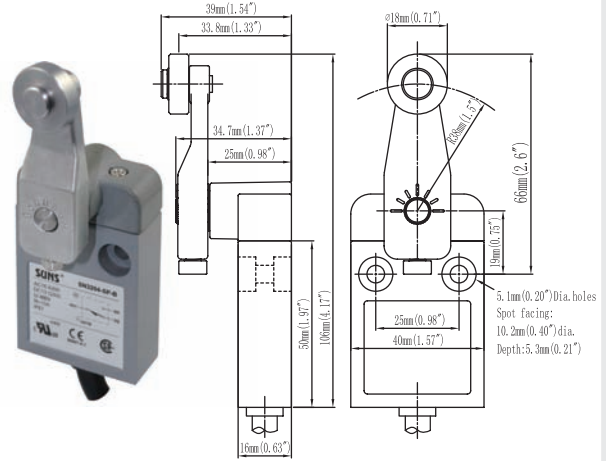


SN32(H) High Precision Compact Limit Switches (IP67 Water-Proof) SN32(H) SERIES (25mm) 4-CORE

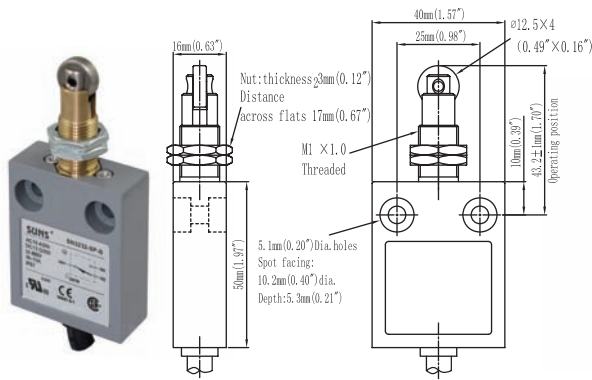
SN3221-SP(H)



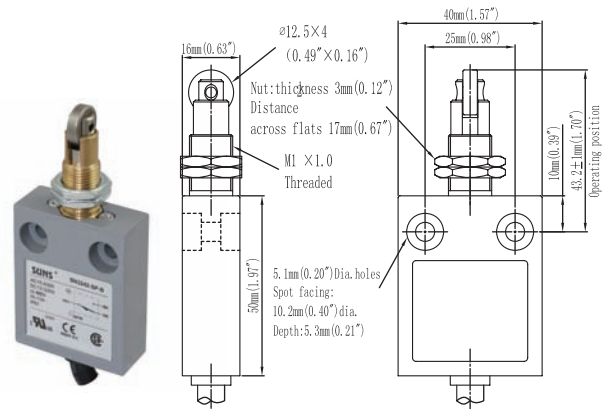
SN3204-SP(H)



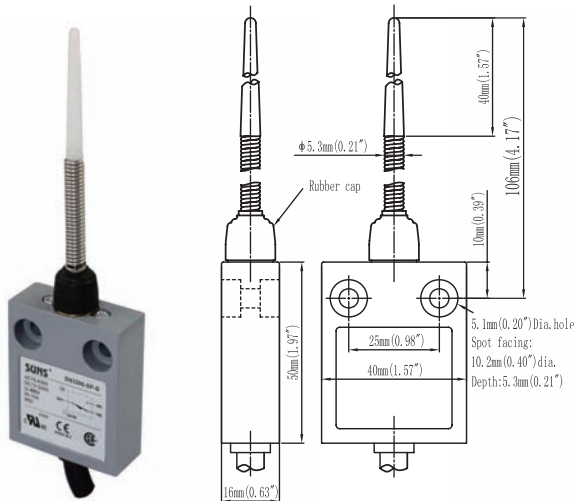
SN3232-SP(H)



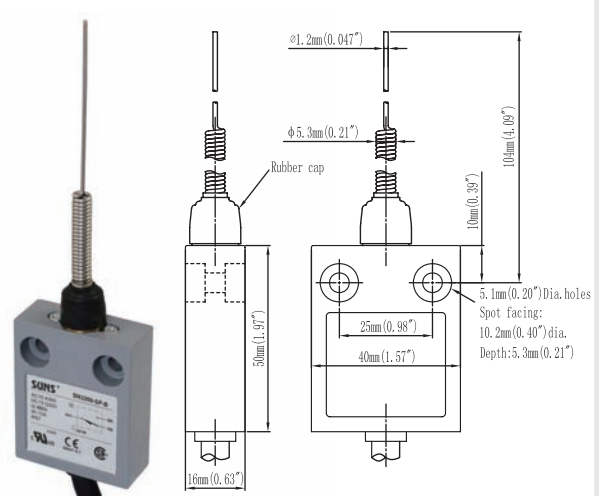
SN3242-SP(H)



SN3266-SP(H)



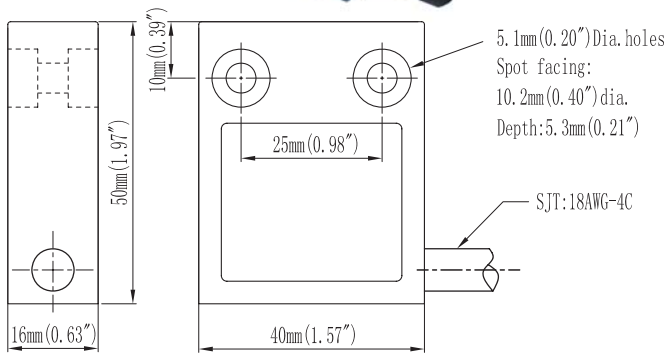
SN3269-SP(H)



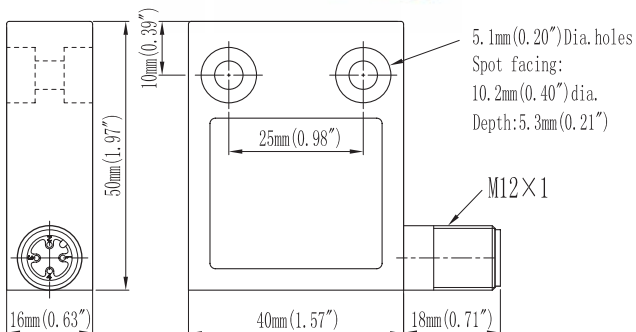
SN32(H) High Precision Compact Limit Switches (IP67 Water-Proof) SN32(H) SERIES (25mm) 4-CORE

Basic Body dimension:

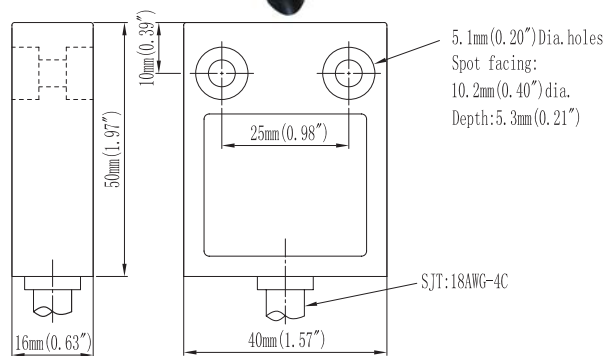
Suffix: -A (cable side exit)



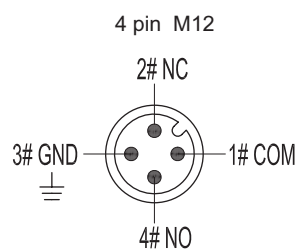
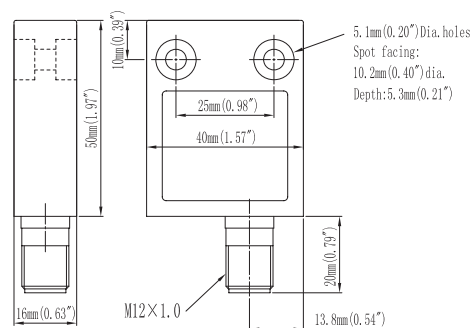
Suffix: -C (M12 quick connector side exit 4 pin)



Suffix: -B (cable bottom exit)



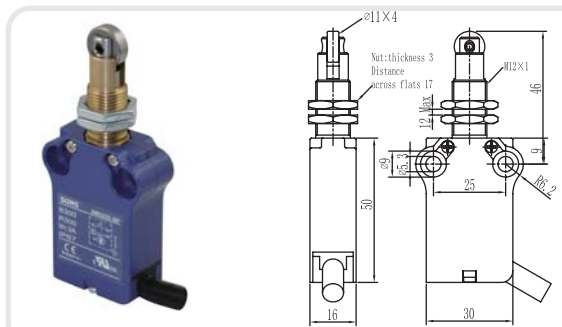
Suffix: -D (M12 Quick Connector bottom exit 4 pin)



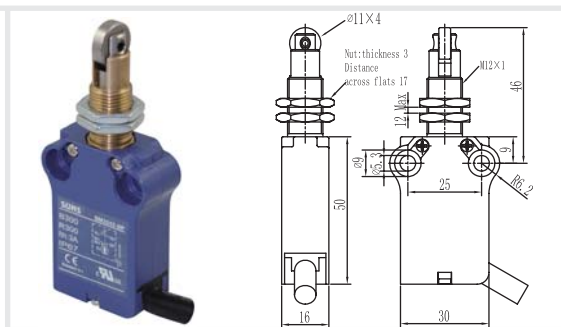
Compact Safety Limit Switches (Modular Design, IP67, 25mm) SM32 SERIES (25mm)

Order Code	Contact block	Order Code	Contact block
SM32P11-01	SP snap action 1NO+1NC	SM32P11-12	SP snap action 1NO+1NC
SM32S11-01	SL slow action 1NO+1NC BBM	SM32S11-12	SL slow action 1NO+1NC BBM
Order Code	Contact block	Order Code	Contact block
SM32P11-11	SP snap action 1NO+1NC	SM32P11-22	SP snap action 1NO+1NC
SM32S11-11	SL slow action 1NO+1NC BBM	SM32S11-22	SL slow action 1NO+1NC BBM
Order Code	Contact block	Order Code	Contact block
SM32P11-21	SP snap action 1NO+1NC	SM32P11-02	SP snap action 1NO+1NC
SM32S11-21	SL slow action 1NO+1NC BBM	SM32S11-02	SL slow action 1NO+1NC BBM
Order Code	Contact block	Order Code	Contact block
SM32P11-31	SP snap action 1NO+1NC	SM32P11-03	SP snap action 1NO+1NC
SM32S11-31	SL slow action 1NO+1NC BBM	SM32S11-03	SL slow action 1NO+1NC BBM

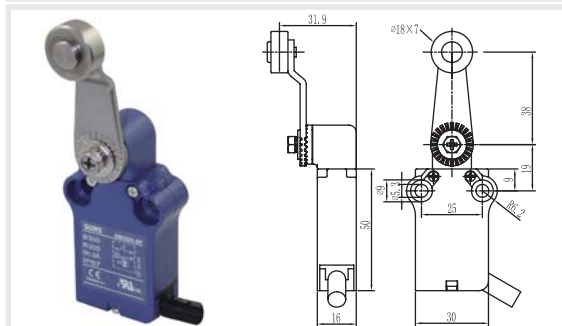
Compact Safety Limit Switches (Modular Design, IP67, 25mm) SM32 SERIES (25mm)



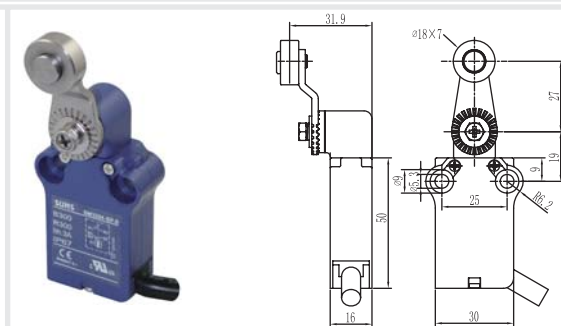
Order Code	Contact block		
SM32P11-32	SP	↔ snap action	1NO+1NC
SM32S11-32	SL	↔ slow action	1NO+1NC BBM



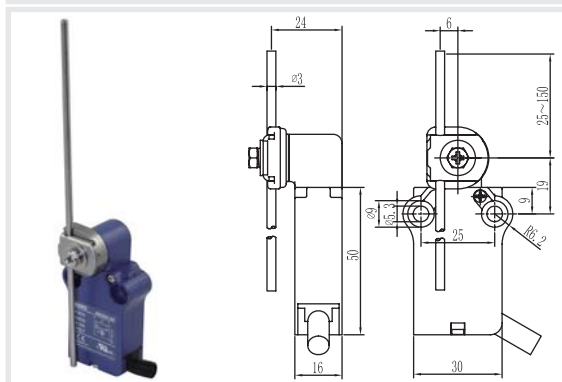
Order Code	Contact block		
SM32P11-42	SP	↔ snap action	1NO+1NC
SM32S11-42	SL	↔ slow action	1NO+1NC BBM



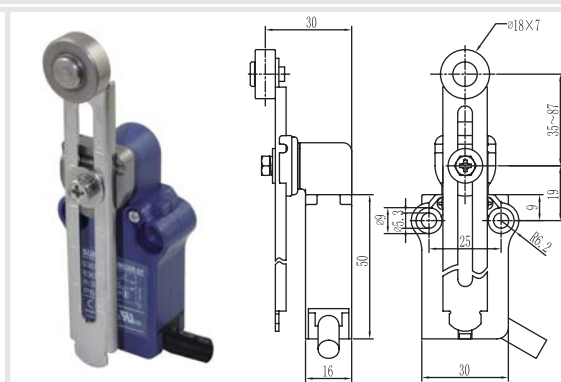
Order Code	Contact block		
SM32P11-04	SP	↔ snap action	1NO+1NC
SM32S11-04	SL	↔ slow action	1NO+1NC BBM



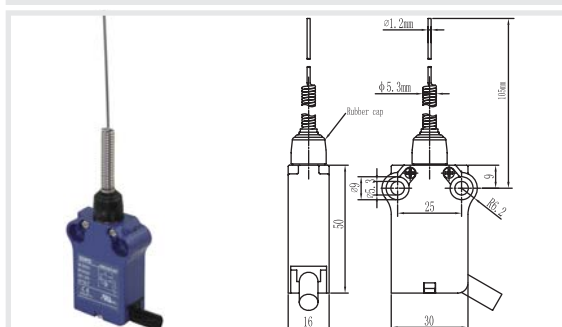
Order Code	Contact block		
SM32P11-04S	SP	↔ snap action	1NO+1NC
SM32S11-04S	SL	↔ slow action	1NO+1NC BBM



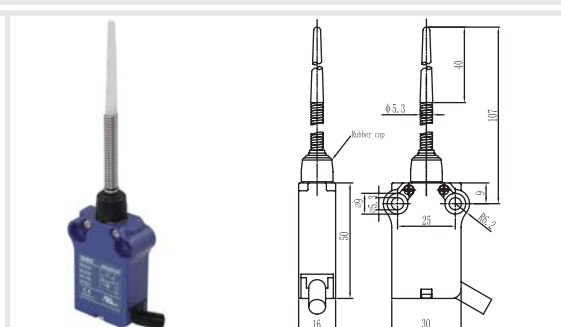
Order Code	Contact block		
SM32P11-07	SP	↔ snap action	1NO+1NC
SM32S11-07	SL	↔ slow action	1NO+1NC BBM



Order Code	Contact block		
SM32P11-08	SP	↔ snap action	1NO+1NC
SM32S11-08	SL	↔ slow action	1NO+1NC BBM



Order Code	Contact block		
SM32P11-69	SP	↔ snap action	1NO+1NC
SM32S11-69	SL	↔ slow action	1NO+1NC BBM



Order Code	Contact block		
SM32P11-66	SP	↔ snap action	1NO+1NC
SM32S11-66	SL	↔ slow action	1NO+1NC BBM

