

## MED-170 Low Profile/Omni-Directional Medical Foot Switches (IPX8)

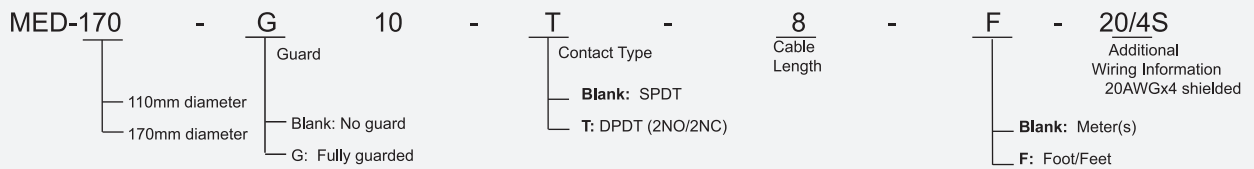
### Features

- 360° actuation
- High mechanical stability
- Aluminum alloy die cast body
- Custom color available

### Specifications

Operating Frequency	60 ops/min
Insulation Resistance	>100MΩ@500V DC
Contact Resistance	<25mΩ (initial)
Rated Current/Voltage	5A or 10A 0-250V
Dielectric Strength	1000VAC for 1 min between current carrying parts 2500VAC for 1 min between non-current carrying parts
Service Life	2 x 10 <sup>6</sup> (operations)
Operating Temperature	-20~+80°C (-4~176°F)
Degree of Protection	IP68 (NEMA 4, 4x, 6, 6P)

### Selection Guide:

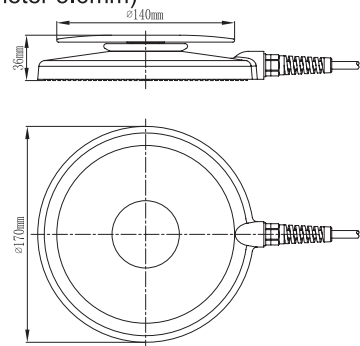


### Dimensions:

**MED-170-10-2-18/3** (18AWGx3, 2 meters, 1x 1NO)

**MED-170-10-T-2-20/4S** (20AWGx4, shielded, 2 meters, 2NO/2NC, cable diameter 7.0mm)

**MED-170-10-T-2-22/5S** (22AWGx5, shielded, 2 meters, 2NO/2NC, cable diameter 5.6mm)



**MED-110-10-2-18/3** (18AWGx3, 2 meters, 1x 1NO)

**MED-110-10-T-2-22/5S** (22AWGx5, shielded, 2 meters, 2NO/2NC, cable diameter 5.6mm)

