

TL Tower Lights

TL30 (30mm) TL50 (50mm) TL70 (70mm) TL90 (90mm)

Features

- Modular design allows for combinations as needed
- Replaceable LED bulb
- Modules can be assembled within seconds
- LED lights provide long life up to 50,000 hours maintenance free.
- Four sizes (30mm, 50mm, 70mm and 90mm diameter) for different size machines
- Steady and flashing mode can be switched as needed with the same module
- Wide range of audible elements including high dB siren



CHARACTERISTICS

Ambient Air Temperature	Storage	-40 to +158 °F (-40 to +70 °C)
	Operation	-13 to +122 °F (-25 to +50 °C)
Electric Shock Protection conforming to IEC 536	Tube mounting	Class 1
	Direct mounting on base unit	Class 2
Degree of Protection	To IEC 60529 and NF C 20-010 To UL 50 and CSA 22.2 No. 94	IP 65 Type 1, 12, 13
Material	Illuminated lens unit	Polycarbonate UL 94-V2
	Base unit and top cover	ABS + Polycarbonate UL 94-V2
	Ring on lens and base	Polyamide
	Tube mounting	Aluminum
Conforming to standards	Tulip	ABS + Polycarbonate
	CE Marked	IEC/EN 60947-5-1. UL 508

Electrical Characteristics

Rated Insulation Voltage (UL)	Conforming to IEC 60947-1	250 Vac
Consumption	LED unit (50,000hours)	24 Vac/Vdc: < 0.1A 120-230 Vac: < 50 mA
	Audible sounder units (20,000hours)	24 Vdc, 15 mA; 120 Vac, 15 mA; 230 Vac, 15 mA
Rated Impulse withstand voltage	Conforming to IEC 60947-1	U imp = 4 kV
Audible sounder units	Signal	At one meter: 85-105 dB
Terminal marking	Common	1 terminal marked -/N
	Depending on type of units	1 to 5 terminals marked 1+/L to 5+/L
	Ground	Marked with grounding symbol
Cable size	Maximum wire size	2 x #16 AWG (1.5 mm ²) with cable end
Terminals	Torque requirement	Removable and captive screw terminals: 4.4 lb-in (0.5 Nm)

Selection Guide (Complete Assembly):

TL30	-	L	24	-	RAG	-	S	80
Diameter		Type	Voltage		Modules		Mounting Base	Mounting Base
30: 30mm		L: Stackable module	12: 12V		Stacking Sequence		(Refer to Accessories)	Pole Length (mm)
50: 50mm		A: Single lens	24: 24V		(top to bottom)			
70: 70mm			120: 100-120V		S: Siren (TL70 only)			
90: 90mm			240: 220-240V		B: Continuous Sound			
			U120: 12-120V		P: Pulse Sound			
			U240: 12-240V or 48-240V		R: Steady Red	T1: Strobe Red	E1: LED Strobe Red	
					A: Steady Amber	T2: Strobe Amber	E2: LED Strobe Amber	
					G: Steady Green	T3: Strobe Green	E3: LED Strobe Green	
					C: Steady Clear	T4: Strobe Blue	E4: LED Strobe Blue	
					U: Steady Blue	T5: Strobe White	E5: LED Strobe White	
					M3: 3-color(RAG) Clear Lens			

TL Tower Light

TL30 (30mm) TL50 (50mm) TL70 (70mm) TL90 (90mm)

COMPONENTS



TL30



TL50/TL70/TL90

Base Units with Cover (for direct or tube mounting)

Description	Color	Catalog Number			
		30mm	50mm	70mm	90mm
Cover	Black	TL30-A01	TL50-A01	TL70-A01	TL90-A01
Cover (for Buzzer)	Black		TL50-A02	TL70-A02	TL90-A02
Base Unit		TL30-B01	TL50-B01	TL70-B01	TL90-B01

Illuminated Lens Units (Steady or Flashing)

Voltage	Color	Catalog Number			
		30mm	50mm	70mm	90mm
24VAC/DC	-Clear	TL30-L24-C	TL50-L24-C	TL70-L24-C	TL90-L24-C
	-Green	TL30-L24-G	TL50-L24-G	TL70-L24-G	TL90-L24-G
	-Red	TL30-L24-R	TL50-L24-R	TL70-L24-R	TL90-L24-R
	-Blue	TL30-L24-U	TL50-L24-U	TL70-L24-U	TL90-L24-U
	-Amber	TL30-L24-A	TL50-L24-A	TL70-L24-A	TL90-L24-A
	-RAG	TL30-L24-M3	TL50-L24-M3	TL70-L24-M3	TL90-L24-M3
120VAC	-Clear	TL30-L120-C	TL50-L120-C	TL70-L120-C	TL90-L120-C
	-Green	TL30-L120-G	TL50-L120-G	TL70-L120-G	TL90-L120-G
	-Red	TL30-L120-R	TL50-L120-R	TL70-L120-R	TL90-L120-R
	-Blue	TL30-L120-U	TL50-L120-U	TL70-L120-U	TL90-L120-U
	-Amber	TL30-L120-A	TL50-L120-A	TL70-L120-A	TL90-L120-A
	-RAG	TL30-L120-M3	TL50-L120-M3	TL70-L120-M3	TL90-L120-M3
240VAC	-Clear	TL30-L240-C	TL50-L240-C	TL70-L240-C	TL90-L240-C
	-Green	TL30-L240-G	TL50-L240-G	TL70-L240-G	TL90-L240-G
	-Red	TL30-L240-R	TL50-L240-R	TL70-L240-R	TL90-L240-R
	-Blue	TL30-L240-U	TL50-L240-U	TL70-L240-U	TL90-L240-U
	-Amber	TL30-L240-A	TL50-L240-A	TL70-L240-A	TL90-L240-A
	-RAG	TL30-L240-M3	TL50-L240-M3	TL70-L240-M3	TL90-L240-M3

*TL30: Add -S for steady -F for flashing

*TL50/TL70/TL90 lens modules have a slide switch for selecting between steady and flashing modes



TL Tower Light

TL30 (30mm) TL50 (50mm) TL70 (70mm) TL90 (90mm)



Buzzer



Siren

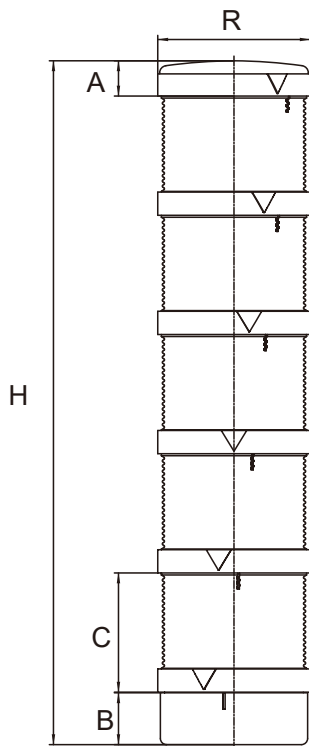
Sound Modules

Voltage	Color	Catalog Number			
		30mm	50mm	70mm	90mm
24VAC/DC	Siren			TL70-L24-S	
	Buzzer(continuous)	TL30-L24-B	TL50-L24-B	TL70-L24-B	TL90-L24-B
	Buzzer(pulse tone)	TL30-L24-P	TL50-L24-P	TL70-L24-P	TL90-L24-P
110-120 VAC	Siren			TL70-L120-S	
	Buzzer(continuous)	TL30-L120-B	TL50-L120-B	TL70-L120-B	TL90-L120-B
	Buzzer(pulse tone)	TL30-L120-P	TL50-L120-P	TL70-L120-P	TL90-L120-P
220-240 VAC	Siren			TL70-L240-S	
	Buzzer(continuous)	TL30-L240-B	TL50-L240-B	TL70-L240-B	TL90-L240-B
	Buzzer(pulse tone)	TL30-L240-P	TL50-L240-P	TL70-L240-P	TL90-L240-P

* Buzzer module: 95dB at 1 meter

* Siren module: 105db at 1 meter

Dimensions (mm):

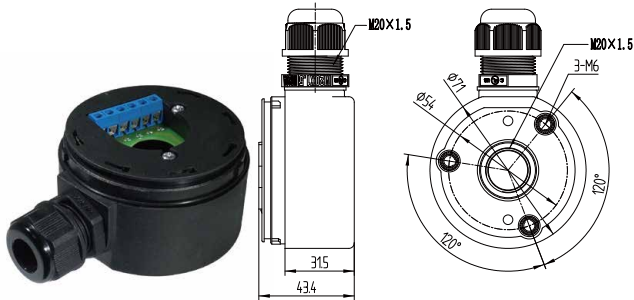


	R (Diameter)	A	B	C	H
TL30 (30mm)	30	13.0	130	45	237 (1 stack)
					282 (2 stack)
					327 (3 stack)
					371 (4 stack)
					417 (5 stack)
TL50 (50mm)	52.5	15.0	25.0	57.5	98 (1 stack)
					156 (2 stack)
					213 (3 stack)
					270 (4 stack)
					328 (5 stack)
TL70 (70mm)	73.5	17.0	25.0	57.5	99 (1 stack)
					158 (2 stack)
					215 (3 stack)
					273 (4 stack)
					330 (5 stack)
TL90 (90mm)	94.5	18.0	31.5	70	120 (1 stack)
					190 (2 stack)
					260 (3 stack)
					330 (4 stack)
					400 (5 stack)

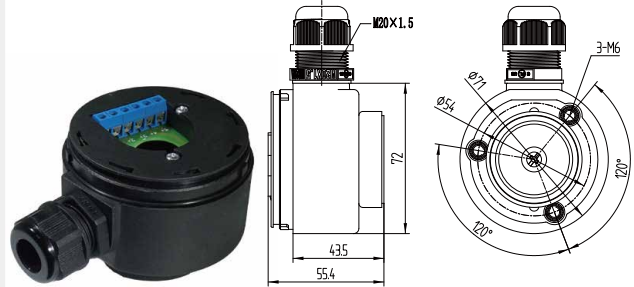
TL Signal Tower Dimensions

Mounting Accessories Dimensions (mm)

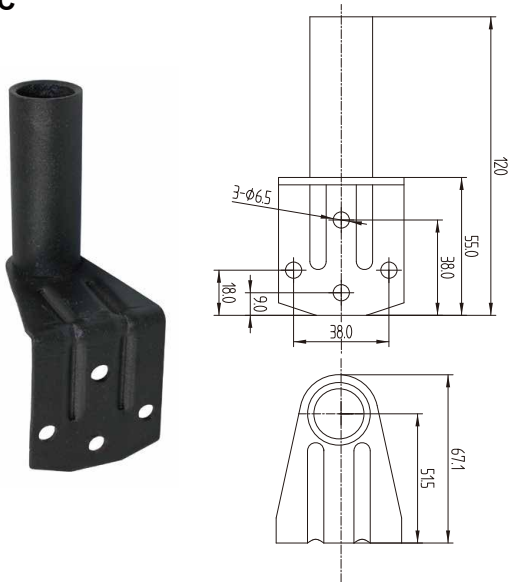
TL-B



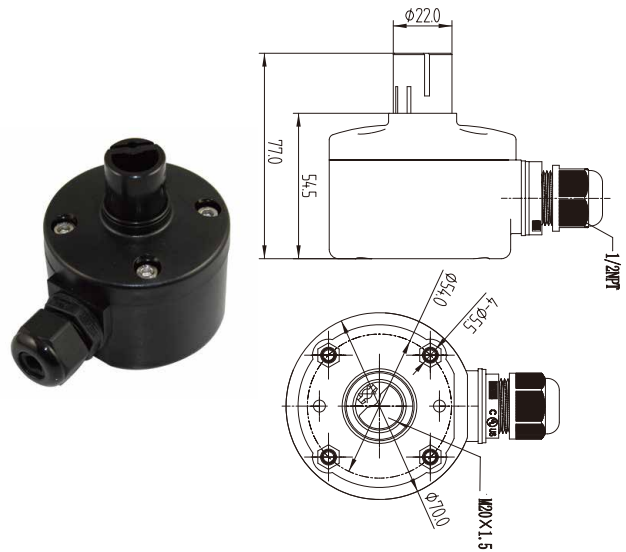
TL-BM(magnetic mounting base)



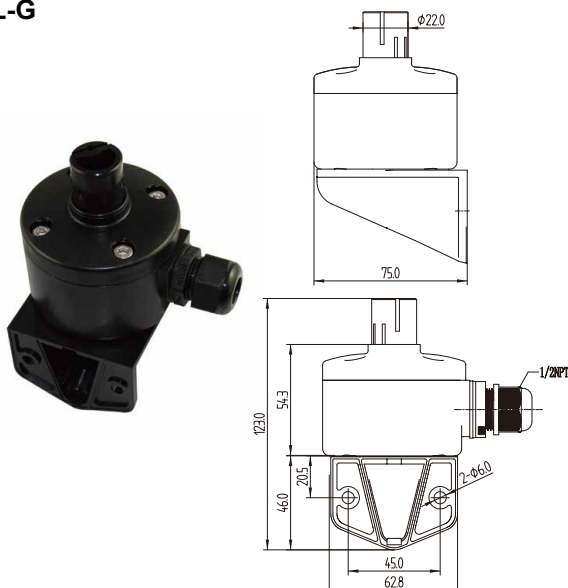
TL-C



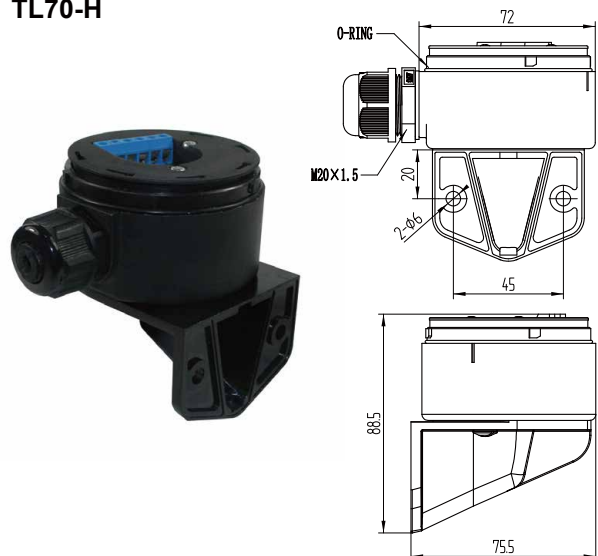
TL-F



TL-G



TL70-H

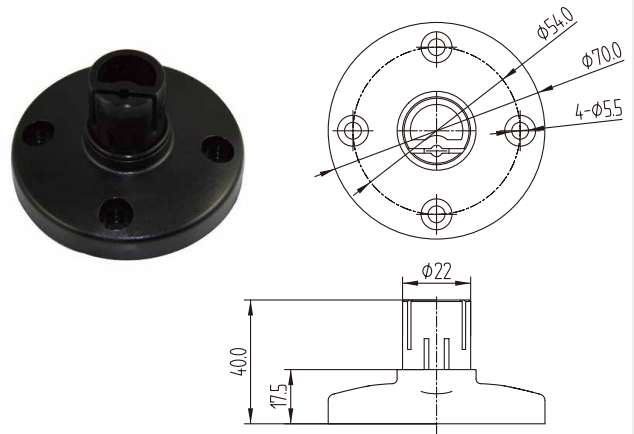


Mounting Accessories Dimensions (mm)

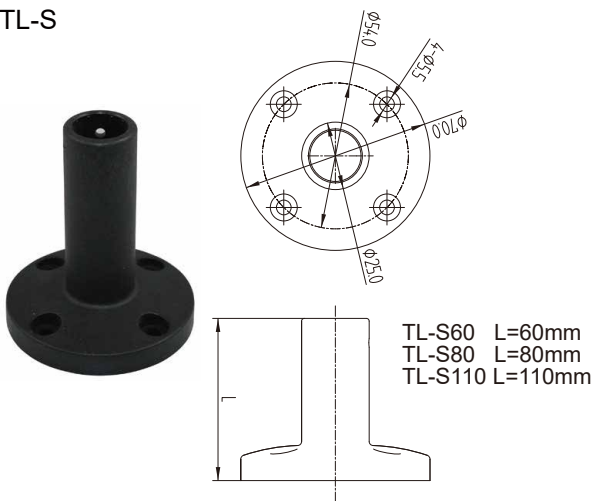
TL-M30(For 30mm mounting hole)



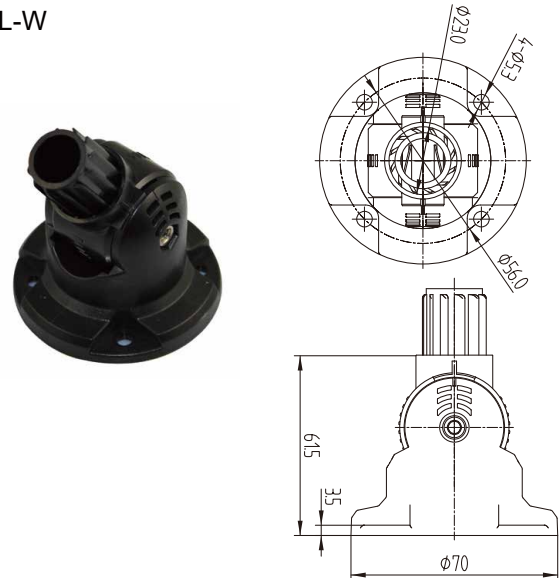
TL-P



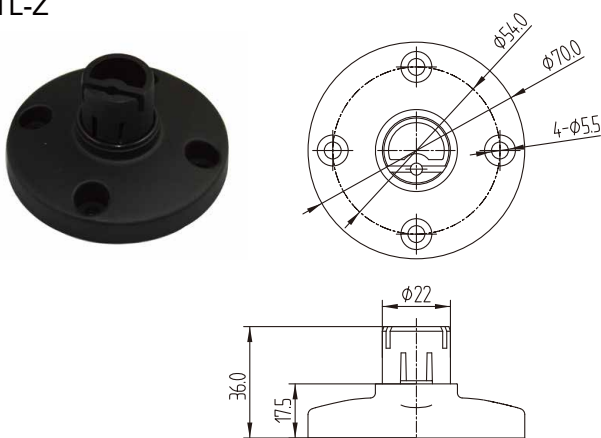
TL-S



TL-W



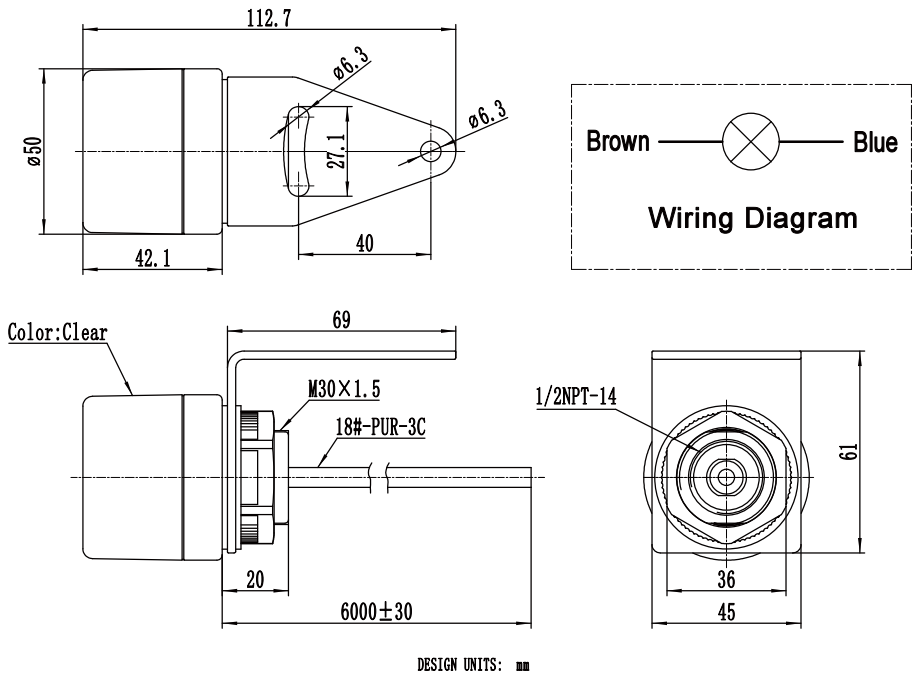
TL-Z



TL Series Visual Signals



TL50-A120-C

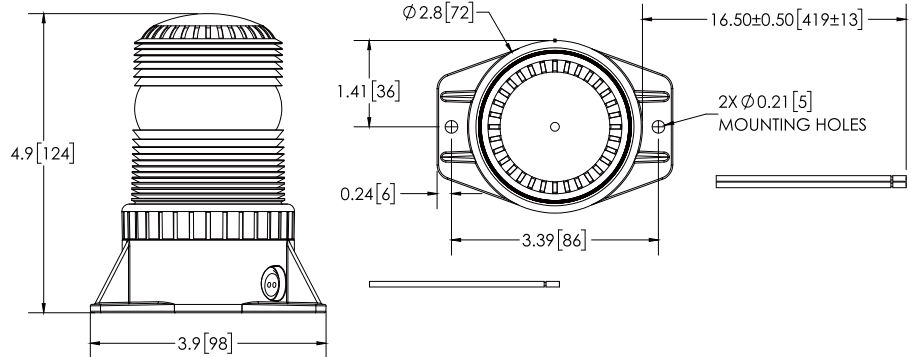


Cat. No.	Lens Color	Lamp	Rating	Temperature Range
TL50-AU80-E1-C	Red	Pulse LED (80 Flashes Per Min)	12-80VDC 12 mA Max	-40°F to +158°F -40°C to +70°C
TL50-AU80-E2-C	Amber			
TL50-AU80-E3-C	Green			
TL50-AU80-E4-C	Blue			
TL50-AU80-E5-C	Clear			
TL50-A120-E1-C	Red	Pulse LED (80 Flashes Per Min)	100-120VAC/DC 12 mA Max	-40°F to +158°F -40°C to +70°C
TL50-A120-E2-C	Amber			
TL50-A120-E3-C	Green			
TL50-A120-E4-C	Blue			
TL50-A120-E5-C	Clear			

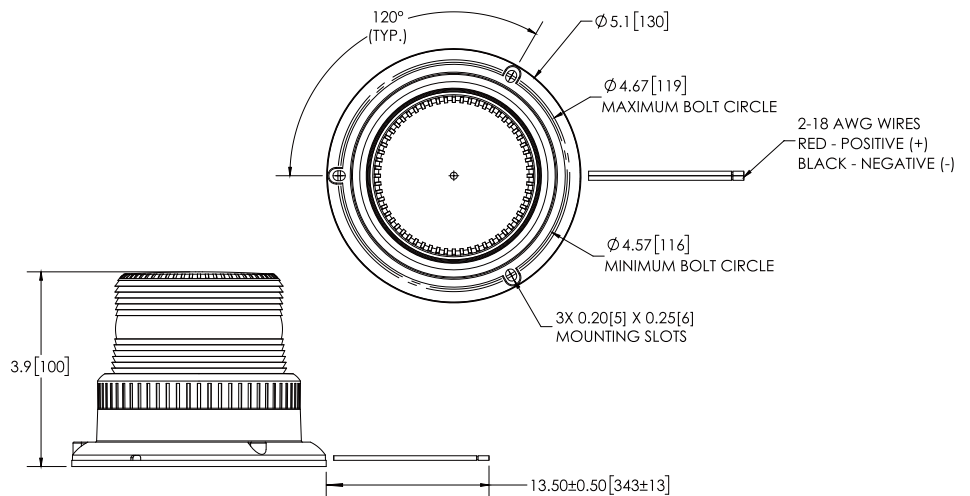
TL Series Visual Signals



TL70-AU80-A-B01

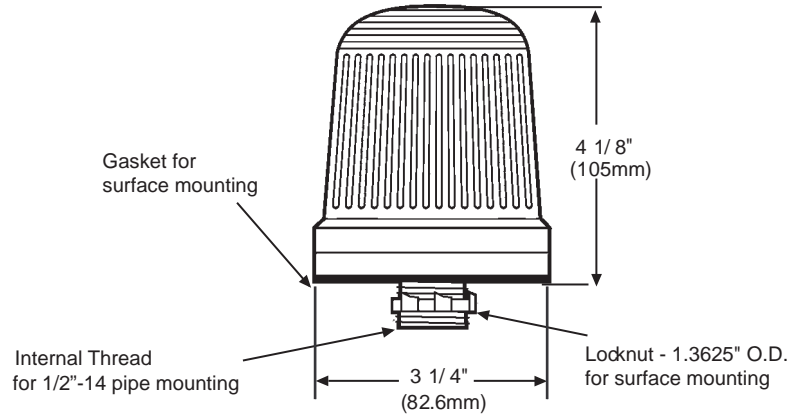


TL90-AU80-A-B01



Cat. No.	Lens Color	Lamp	Rating	Temperature Range
TL70-AU80-A-B01	Amber	Pulse LED (80 Flashes Per Min)	12-80VDC 0.12 A Max	-22°F to +122°F -30°C to +85°C
TL70-AU80-B-B01	Blue			
TL70-AU80-C-B01	Clear			
TL70-AU80-G-B01	Green			
TL70-AU80-R-B01	Red			
TL90-AU80-A-B01	Amber	Pulse LED (80 Flashes Per Min)	12-80VDC 0.12 A Max	-22°F to +122°F -30°C to +85°C
TL90-AU80-B-B01	Blue			
TL90-AU80-C-B01	Clear			
TL90-AU80-G-B01	Green			
TL90-AU80-R-B01	Red			
TL70-A120-A-B01	Amber	Pulse LED (80 Flashes Per Min)	85-130VAC 0.12 A Max	-22°F to +122°F -30°C to +85°C
TL70-A120-B-B01	Blue			
TL70-A120-C-B01	Clear			
TL70-A120-G-B01	Green			
TL70-A120-R-B01	Red			
TL90-A120-A-B01	Amber	Pulse LED (80 Flashes Per Min)	85-130VAC 0.12 A Max	-22°F to +122°F -30°C to +85°C
TL90-A120-B-B01	Blue			
TL90-A120-C-B01	Clear			
TL90-A120-G-B01	Green			
TL90-A120-R-B01	Red			

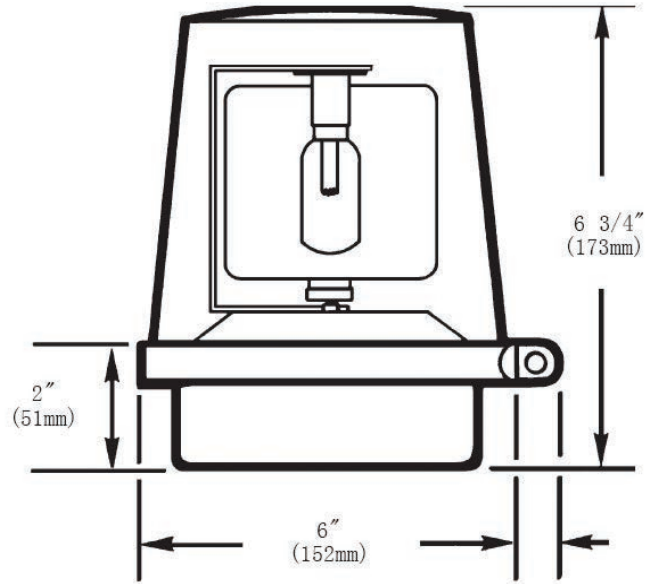
800 Series Visual Signals



			/ Bulb	Candlepower	Ratings
800-STA24	Amber	Strobe Lights	800-ST 1,500 hr*	175,000	24VDC 0.35 A
800-STB24	Blue				
800-STC24	Clear				
800-STG24	Green				
800-STR24	Red				
800-STA120	Amber	Strobe Lights	800-ST 1,500 hr*	175,000	120VAC50/60Hz 0.10A
800-STB120	Blue				
800-STC120	Clear				
800-STG120	Green				
800-STR120	Red				
801-ISA24	Amber	Incandescent Steady Lights	Industry Std. 1692 (15W)	-	24VDC 0.67A
801-ISB24	Blue				
801-ISC24	Clear				
801-ISG24	Green				
801-ISR24	Red				
801-ISA120	Amber	Incandescent Steady Lights	Industry Std. 15T7DC (15W)	-	120VAC50/60Hz 0.15 A
801-ISB120	Blue				
801-ISC120	Clear				
801-ISG120	Green				
801-ISR120	Red				
802-IFA24	Amber	Incandescent Flashing Lights	Industry Std. 1692 (15W)	-	24VDC 0.61 A
802-IFB24	Blue				
802-IFC24	Clear				
802-IFG24	Green				
802-IFR24	Red				
802-IFA120	Amber	Incandescent Flashing Lights	Industry Std. 15T7DC (15W)	-	120VAC50/60Hz 0.15 A
802-IFB120	Blue				
802-IFC120	Clear				
802-IFG120	Green				
802-IFR120	Red				
803-SM324	3-Color(RAG)	Flashing LED Lights	LED Unit	-	24VDC
803-TM324	3-Color(RAG)	Steady LED Lights	50,000 hr	-	<0.10 A

*Calculated strobe tube life operating power to 75% efficiency

700 Series Visual Signals



Cat. No.	Lens Color	Lamp Ratings	Revolution Rate	Electrical Ratings	Replacement Lamp Cat. No.
700-RA120	Amber	40 Watts (Max)	75 rpm	120V 50/60 Hz 0.35Amps	Industry Std 25T8DC
700-RB120	Blue	265 lumens*			
700-RC120	Clear	3328 candlepower			
700-RG120	Green	25,000 hours**			
700-RR120	Red				
700-RA240	Amber	40 Watts (Max)	75 rpm	220-240V 50/60 Hz 0.2 Amps	Industry Std 25T8DC
700-RB240	Blue	265 lumens*			
700-RC240	Clear	3328 candlepower			
700-RG240	Green	25,000 hours**			
700-RR240	Red				
700-RA24	Amber	25 Watts (Max)	75 rpm	24V DC 1.2Amps	Industry Std 1638
700-RB24	Blue	226 lumens*			
700-RC24	Clear	2839 candlepower			
700-RG24	Green	25,000 hours**			
700-RR24	Red				

* Manufacturer's lumen rating.

** Projected lamp life based on manufacturer's calculated lamp life @ 65 FPM and 50% duty cycle.

CB Series Alarm Bells

Ordering Code:

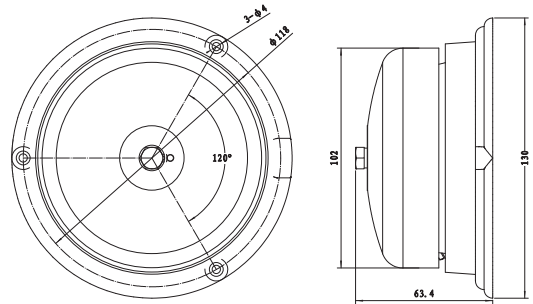
CB	-	6	-	R	-	24
		Gong size				Voltage
		4	4 inch	-	Gray	6
		6	6 inch	R	Red	12
		8	8 inch			24
		10	10 inch			120
						240
						220-240VAC



Specifications

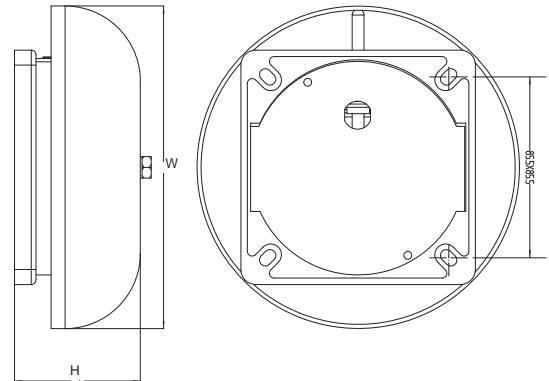
Cat. No.	Volts	Amps (Rated)	Amps (Actual)	dB
CB-4-6	6V DC	0.50	0.13	86
CB-4-12	12V DC	0.60	0.50	86
CB-4-24	24V DC	0.30	0.27	86
CB-4-120	120V AC	0.5	0.05	86
CB-4-240	240V AC	0.10	0.03	86
CB-6-6	6V DC	0.50	0.13	86
CB-6-12	12V DC	0.85	0.40	86
CB-6-24	24V DC	0.30	0.18	86
CB-6-120	120V AC	0.10	0.05	86
CB-6-240	240V AC	0.05	0.03	86
CB-8-6	6V DC	0.50	0.13	86
CB-8-12	12V DC	0.85	0.40	86
CB-8-24	24V DC	0.30	0.18	86
CB-8-120	120V AC	0.10	0.05	86
CB-8-240	240V AC	0.05	0.03	86
CB-10-6	6V DC	0.50	0.13	86
CB-10-12	12V DC	0.85	0.40	86
CB-10-24	24V DC	0.30	0.18	86
CB-10-120	120V AC	0.10	0.05	86
CB-10-240	240V AC	0.05	0.03	86

CB-4 (4 inch bell)



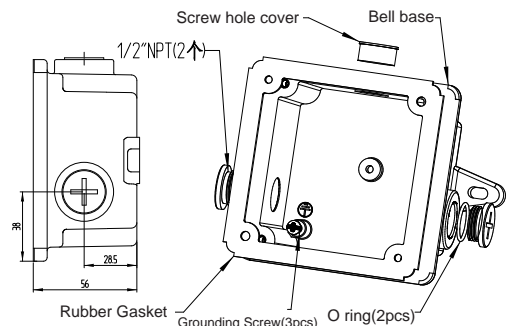
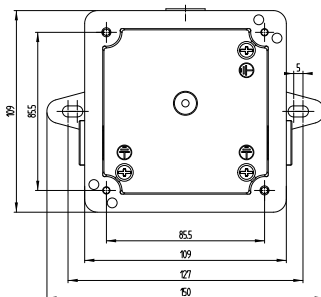
CB-6(W=150,H=58.5)
CB-8(W=200,H=77)
CB-10(W=250,H=78)

(6,8,10 inch bell)

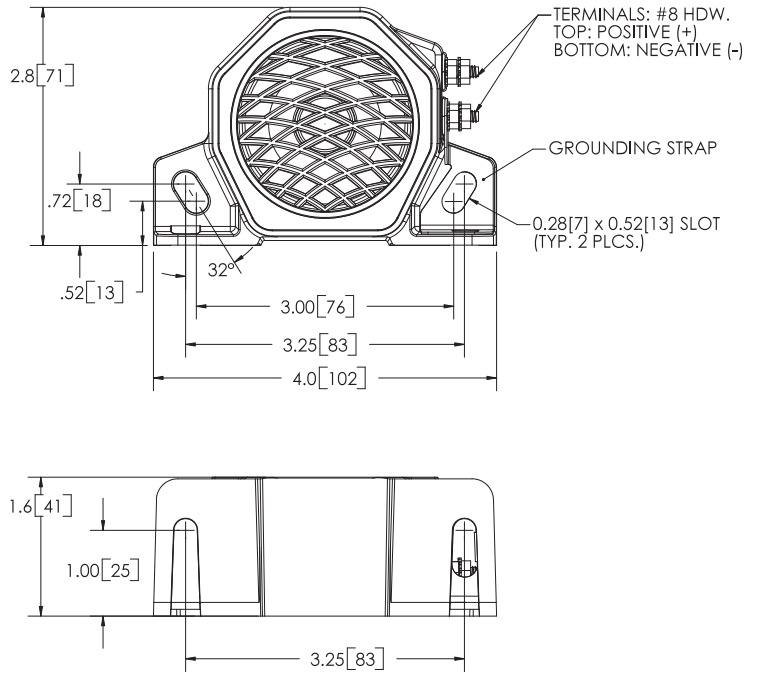


* UL 3R rated for outdoor applications when used with CB-BX.

Weather-Proof Back Box: Model CB-BX



BAL Series Vehicle Back-up Alarm

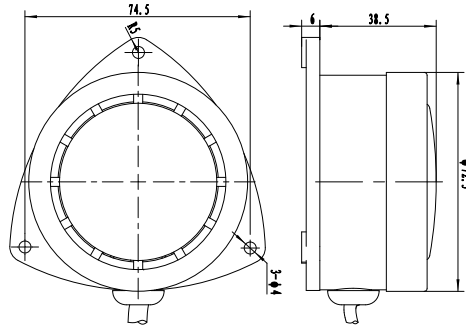


Cat. No.	Sound Pressure Level	Rating	Protection Level	Temperature Range
BAL-524-1	87 dB @1.2m(4ft) 960 to 1440 Hz	12-24VDC 0.1 A Max	IP65	-40°F to +185°F -40°C to +85°C
BAL-548	97 dB @1.2m(4ft) 960 to 1440 Hz	12-48VDC 0.1 A Max	IP20	-40°F to +185°F -40°C to +85°C
BAL-580	87 dB @1.2m(4ft) 960 to 1440 Hz	12-80VDC 0.1 A Max	IP65	-40°F to +185°F -40°C to +85°C
BAL-512	97 dB @1.2m(4ft) 960 to 1440 Hz	12VDC 0.2 A	IP65	-40°F to +185°F -40°C to +85°C
BAL-524-2	97 dB @1.2m(4ft) 960 to 1440 Hz	12-24VDC 0.2 A Max	IP65	-40°F to +185°F -40°C to +85°C
BAL-524-3	102 dB @1.2m(4ft) 960 to 1440 Hz	12-24VDC 1.0 A Max	IP65	-40°F to +185°F -40°C to +85°C
BAL-524-4	107 dB @1.2m(4ft) 960 to 1440 Hz	12-24VDC 0.9 A Max	IP20	-40°F to +185°F -40°C to +85°C

Buzzer

Dimensions

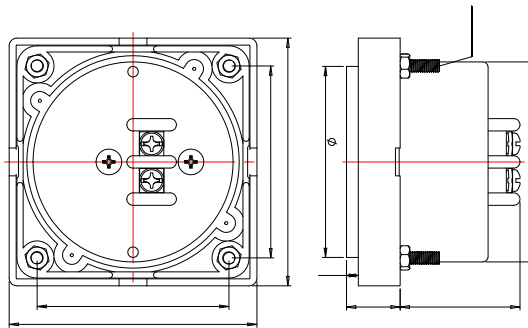
CBZ-10*



Rating
Mountings Style
Volume(dB)
Weight

DC 12V, 24V; AC 120V 240V 380V
Surface Mounting
75± 5dB(120V) 85±5dB(240V)
160g

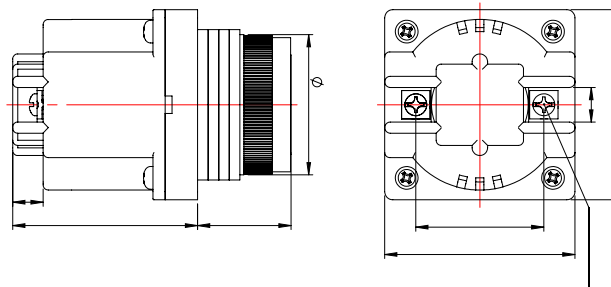
CBZ-20*



Rating
Mountings Style
Volume(dB)
Weight

DC 12V 24V; AC 120V 240V 380V
Flush Mounting
75± 5dB(120V) 85±5dB(240V)
190g

CBZ-30*



Rating
Mountings Style
Volume(dB)
Weight

DC 12V 24V, AC 120V 240V
Flush Mounting
75 - 85dB(120V / 240V)
125g

* Add suffix (-12, -24, -120, -240) for different voltage