

Terminal Blocks - T series

Heavy-duty, corrosion-resistant screws, surface plates and optional hardware

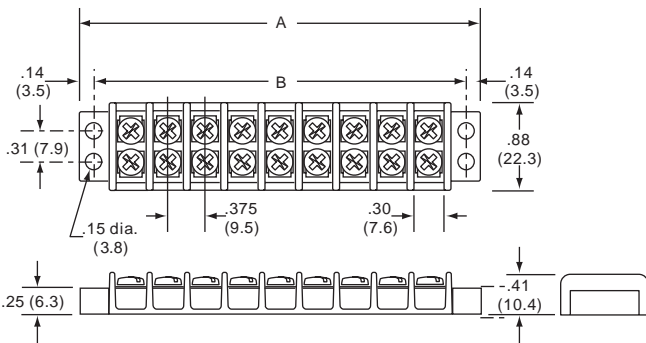
Accessory hardware provides a variety of termination options.

Available cover helps prevent contact with live terminals

Order Codes :

Series	Poles	Screw Options	Marking	Cover	Hardware Options
TU1	02 to 22	Blank - steel phillslot, Nickel plating 00 - screws shipped bulk B - brass phillslot, nickel plated BS - brass Sems phillslot, nickel plated SP - steel Sems phillslot, zinc plated P - steel Sems (P-style) ST - stainless steel, phillslot STR - stainless steel, phillips (recess)	L1 to L9	C	Q1 to Q9 - quick connects J1 to J9 - jumper

TU100 Series Terminal Strips 15A/300V



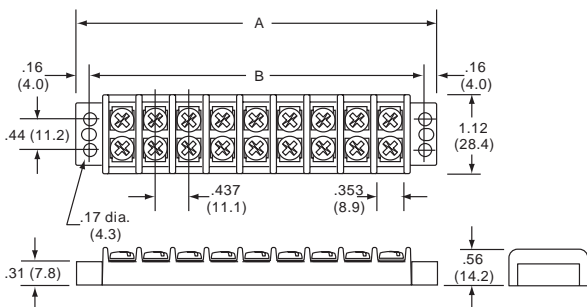
- 9.5mm center spacing
- Accepts wire sizes from 22 through 14 AWG Cu
- #6-32 phillslot, Nickel plating steel terminal screws (Recommended torque: 9 in. - lb.)
- Molded of materials maximum temperature rating
TU: Phenolic 150 C

Poles	A	B	Cat. No.	Poles	A	B	Cat. No.
02	1.40	1.13	TU 102	13	5.53	5.25	TU113
03	1.78	1.52	TU 103	14	5.90	5.69	TU114
04	2.16	1.89	TU 104	15	6.28	6.00	TU115
05	2.53	2.27	TU 105	16	6.66	6.44	TU116
06	2.90	2.65	TU 106	17	7.03	6.75	TU117
07	3.28	3.03	TU 107	18	7.40	7.17	TU118
08	3.66	3.4	TU 108	19	7.78	7.50	TU119
09	4.03	3.8	TU 109	20	8.23	7.95	TU120
10	4.40	4.17	TU 110				
11	4.78	4.50	TU 111				
12	5.16	4.93	TU 112				

* Dimensions in inches. To convert to millimeters, multiply by 25.4.

TU200 Series Terminal Blocks 20A/300V

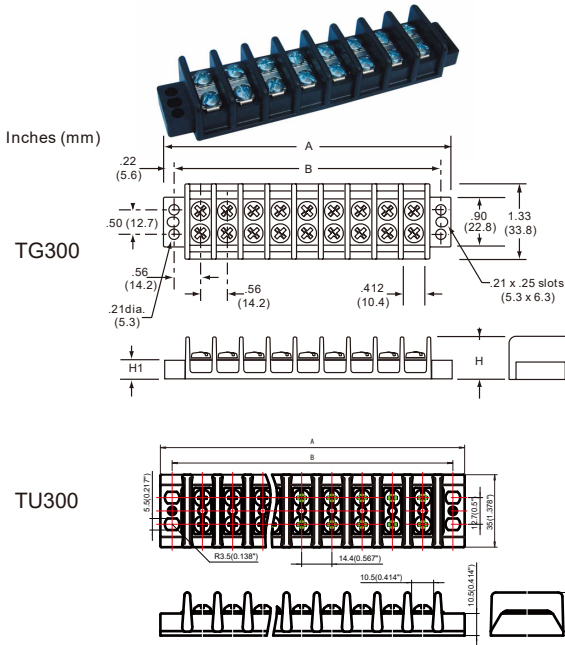
- 11.1mm center spacing
- Accepts wire sizes from 22 through 12 AWG Cu
- #6-32 phillslot, Nickel plating steel terminal screws (Recommended torque: 9 in. - lb.)
- Molded of materials maximum temperature rating
TU: Phenolic 150 C



Poles	A	B	Cat. No.	Poles	A	B	Cat. No.
02	1.63	1.31	TU202	13	6.44	6.12	TU213
03	2.07	1.75	TU203	14	6.87	6.56	TU214
04	2.51	2.18	TU204	15	7.31	7.00	TU215
05	2.94	2.62	TU205	16	7.75	7.43	TU216
06	3.38	3.06	TU206	17	8.19	7.87	TU217
07	3.82	3.50	TU207	18	8.66	8.31	TU218
08	4.25	3.93	TU208	20	9.55	9.18	TU220
09	4.69	4.37	TU209	22	10.43	10.05	TU222
10	5.13	4.81	TU210				
11	5.57	5.25	TU211				
12	6.00	5.68	TU212				

* Dimensions in inches. To convert to millimeters, multiply by 25.4.

TU300(30A/600V)/TG300(30A/600V)Series Terminal Strips



- 14.2mm center spacing
- Accepts wire sizes from 22 through 10 AWG Cu
- #8-32 phillslot, Nickel plating steel terminal screws (Recommended torque: 12 in. - lb.)
- Molded of materials maximum temperature rating

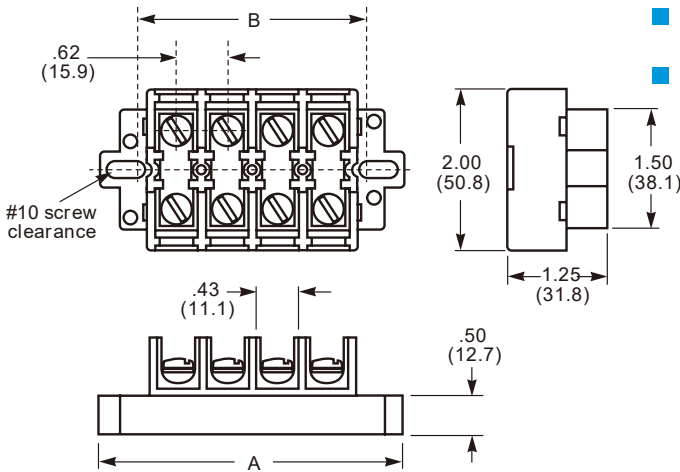
TG: thermoplastic (UL Rated 94V-0) 125°C
 TU: Phenolic 150 C

Poles	A	B	Cat. No.	Poles	A	B	Cat. No.
02	2.13	1.69	TG302	12	7.75	7.31	TG312
04	3.25	2.81	TG304	14	8.87	8.51	TG314
06	4.37	3.94	TG306	16	10.02	9.65	TG316
08	5.50	5.06	TG308	18	11.15	10.77	TG318
10	6.62	6.19	TG310	20	12.3	11.93	TG320

Poles	A	B	Cat. No.	Poles	A	B	Cat. No.
02	2.142	1.701	TU302	10	6.677	6.236	TU310
03	2.709	2.268	TU303	12	7.811	7.37	TU312
04	3.276	2.835	TU304	14	8.945	8.504	TU314
05	3.843	3.402	TU305	16	10.079	9.638	TU316
06	4.409	3.969	TU306	18	11.213	10.772	TU318
07	4.976	4.535	TU307	20	12.347	11.906	TU320
08	5.543	5.102	TU308	22	13.48	13.039	TU322
09	6.11	5.669	TU309				

* Dimensions in inches. To convert to millimeters, multiply by 25.4.
 * For TU-3XX: H = 0.69 inch (17.5mm) For TU-3XX: H1 = 0.42 inch (10.6mm)
 For TG-3XX: H = 0.81 inch (20.5mm) For TG-3XX: H1 = 0.33 inch (8.4mm)

TG600 Series Terminal Blocks 60A/600V



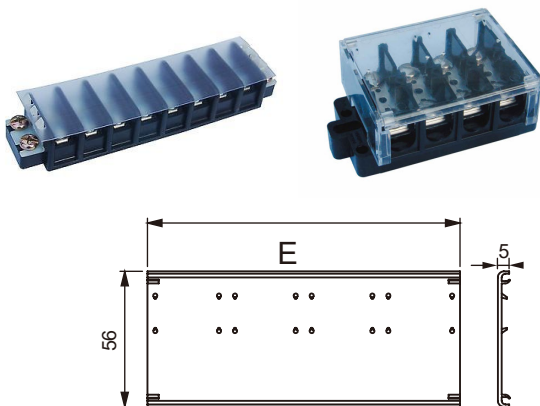
- 15.88mm center spacing
- Accepts wire sizes from 22 through 6 AWG Cu
- #10-32 phillslot, Nickel plating steel terminal screws (Recommended torque: 20 in. - lb.)
- Molded of materials maximum temperature rating 125°C thermoplastic (UL Rated 94V-0)

Poles	A	B	Cat. No.
02	2.50	1.62	TG602
04	3.75	2.87	TG604
06	5.00	4.12	TG606
08	6.25	5.37	TG608
10	7.50	6.64	TG610
12	8.75	7.87	TG612

* Dimensions in inches. To convert to millimeters, multiply by 25.4.
 * 60A rating achieved with #6 copper wire crimped to ring terminal.

Accessories

Covers



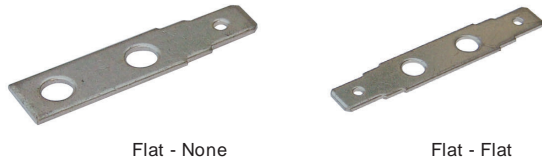
- Helps prevent contact with live terminals

No. of Circuits	For Use With Terminal Strip Series			
	TG-100 Clear Cat. No.	TG-200 Clear Cat. No.	TG-300 Clear Cat. No.	TG-600 Clear Cat. No.
2	TG1C2	TG2C2	TG3C2	—
4	TG1C4	TG2C4	TG3C4	TG6C4
6	TG1C6	TG2C6	TG3C6	TG6C6
8	TG1C8	TG2C8	TG3C8	TG6C8
10	TG1C10	TG2C10	TG3C10	TG6C10
12	TG1C12	TG2C12	TG3C12	TG6C12

Terminal Blocks

Accessories

Quick Connects



Allows fast, flexible circuit changes

For Use With			
Terminal Strip Series	Tab Size (Inches)	Flat - Non Cat. No.	Flat - Flat Cat. No.
TG100	.187 x .020	TG1Q1	TG1Q2
TG200	.250 x .031	TG3Q1	TG3Q2
TG300			

Jumpers

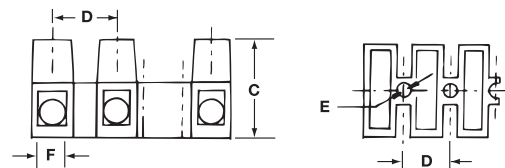
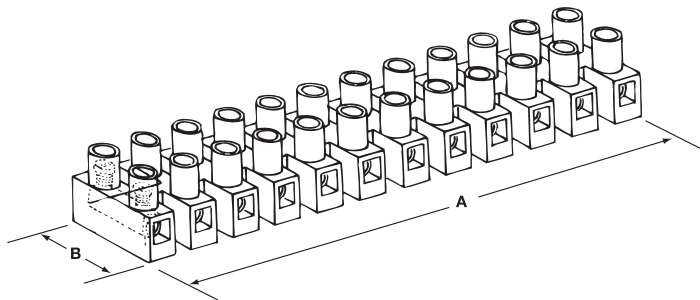
■ Provides easy connection of multiple circuits



For Use With Terminal Strip Series	Center Spacing (Inches)	Flat Slip-on Cat. No.	Over Barrier Slip-on Cat. No.	Flat 12-Circuit Cat. No.
TG100	.375	TG1J2	TG1J1	—
TG200	.437	TG2J2	TG2J1	—
TG300	.562	TG3J2	TG3J1	—
TG600	.625			TG6J6

TH Series Terminal Block

- Modular 12-circuit design can be cut into smaller sections, or stacked end-to-end
- Rugged nylon construction, UL 94V2
- Insulation Material temperature rating 105°C (221°C)



Electrical Ratings	Wire Range (AWG)	No. of Circuits	Torque in.-lb.	Dimensions (Inches)						Dimensions (mm)						Cat. No.
				A	B	C	D	E	F*	A	B	C	D	E	F**	
20A/300V	22-18	12	3.5	3.787	0.669	0.570	0.315	0.114	0.110	96.2	17.0	14.5	8.0	2.9	2.8	TH-1012
30A/300V	22-14	12	4.5	4.626	0.795	0.570	0.394	0.142	0.134	117.0	20.2	17.0	10.0	3.6	3.4	TH-2012
35A/300V	22-10	12	7.0	5.540	0.937	0.748	0.472	0.154	0.154	140.7	23.8	19.0	12.0	3.9	3.9	TH-3512
50A/300V	20- 8	12	9.0	6.220	1.008	0.992	0.531	0.173	0.189	158.0	25.6	25.2	13.5	4.4	4.8	TH-5012