

IL Series Indicator Lights

Pictures	Dimensions	Description	Part Numbers	
		<p>5/16" Diameter IP40</p>	<p>IL1F-</p> <p>Voltage suffix 6E: 6 VAC/DC 12E: 12-14 VAC/DC 24E: 24-28 VAC/DC 120E: 120 VAC/DC 240E: 240VAC/DC</p> <p>Color suffix ○ -W ● -G ● -R ● -U ● -A</p>	<p>Add suffix for wire length e.g: -U6 for 6 inch -M20 for 20cm</p>
		<p>8 mm Diameter IP40 (IP65 with seal)</p>	<p>IL2F-</p> <p>Voltage suffix 6E: 6 VAC/DC 12E: 12-14 VAC/DC 24E: 24-28 VAC/DC 120E: 120 VAC/DC 240E: 240VAC/DC</p> <p>Color suffix ○ -W ● -G ● -R ● -U ● -A</p>	<p>Add suffix for terminal style: -Q for quick connect</p>
		<p>12 mm Diameter IP40 (IP65 with seal)</p>	<p>IL3E-</p> <p>Voltage suffix 6E: 6 VAC/DC 12E: 12-14 VAC/DC 24E: 24-28 VAC/DC 120E: 120 VAC/DC 240E: 240VAC/DC</p> <p>Color suffix ○ -W ● -G ● -R ● -U ● -A</p>	<p>Add suffix for terminal style: -Q for quick connect</p>
		<p>22 mm Diameter IP40 (IP65 with seal)</p>	<p>IL6E-</p> <p>Voltage suffix 6E: 6 VAC/DC 12E: 12-14 VAC/DC 24E: 24-28 VAC/DC 120E: 120 VAC/DC 240E: 240VAC/DC</p> <p>Color suffix ○ -W ● -G ● -R ● -U ● -A</p>	<p>Add suffix for terminal style: -Q for quick connect</p>

IL4 Series Indicator Lights

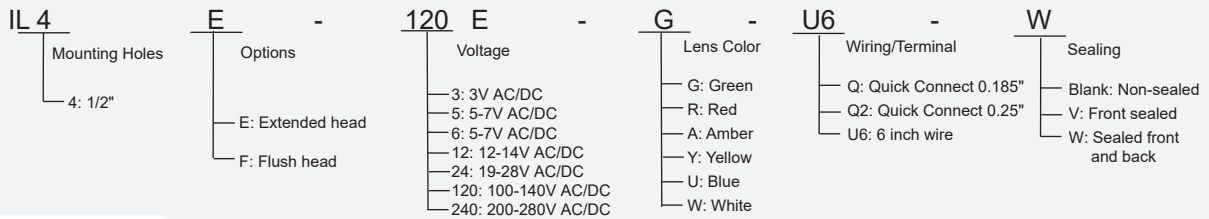
Features

- Wide range of rated voltage
- LED technology for low power consumption
- Reverse voltage protection
- UL Recognized File# E216958
- Sealing up to IP67
- Quick connect terminals for easy installation
- Switchboard panels 0.030" to 0.093" thickness

Specifications

Mounting Holes	Ø0.500" (Ø12.7mm)
Power Consumption	3E(3V AC/DC): 9mA 5E(5V AC/DC): 10mA 6E(6V AC/DC): 18mA 12E(12V AC/DC): 17mA 24E(24V AC/DC): 12mA 120E(120V AC/DC): 5mA 240E(240V AC/DC): 5mA
Operating Temperature	-40~+85°C (-40~+185°F)
Service Life	100,000 hours
Degree of Protection	IP67 for -V -W models
Panel Thickness	0.030" to 0.093"

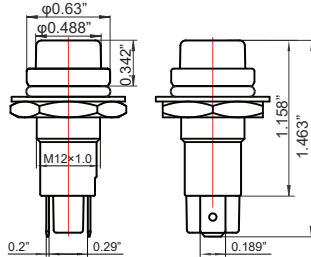
Selection Guide:



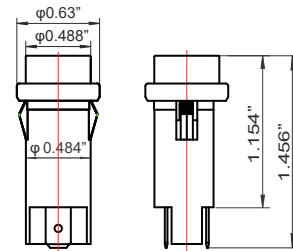
Dimensions:

IL4E Extend Head:

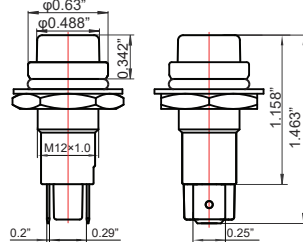
Sealed -Q Quick Connector



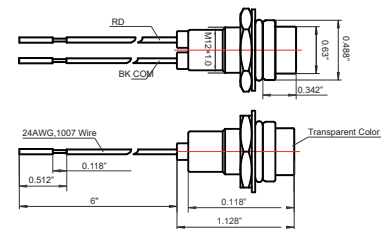
Non-Sealed -Q Quick Connector



Sealed -Q2 Quick Connector

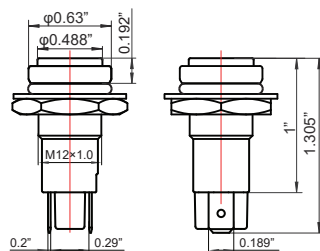


Sealed -U6 6-inch Wire

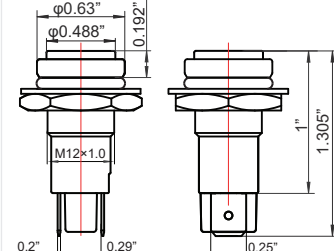


IL4F Flush Head:

Sealed -Q Quick Connect



Sealed -Q2 Quick Connector 0.25"



IL5 Series Indicator Lights

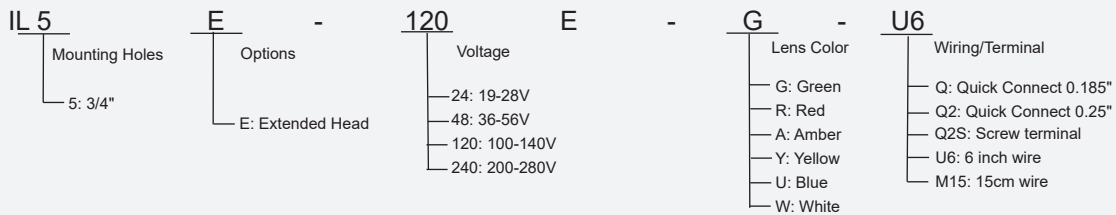
Features

- Wide range of rated voltage
- LED technology for low power consumption
- Reverse voltage protection
- UL Recognized File# E216958
- IP65 rated
- Quick connect terminals for easy installation
- Switchboard panels up to 0.25" thickness

Specifications

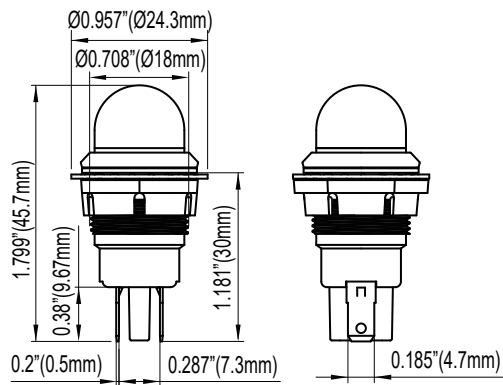
Mounting Holes	Ø0.708" (Ø18mm)
Power Consumption	10mA(Max)
Internal Resistor Value	24E (19-28V AC/DC): 2.2K Ohm 48E (35-56V AC/DC): 4.5K Ohm 120E (100-140V AC/DC): 13K Ohm 240E (200-280V AC/DC): 36K Ohm
Operating Temperature	-40~+85°C (-40~+185°F)
Service Life	100,000 hours
Degree of Protection	IP65

Selection Guide:

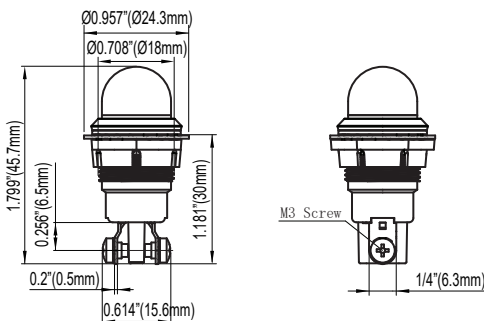


Dimensions:

IL5E-*E-*-Q:



IL5E-*E-*-Q2S:



Spare Parts:

IL5-02G	Replacement Green Lens
IL5-02R	Replacement Red Lens
IL5-02Y	Replacement Yellow Lens
IL5-02A	Replacement Amber Lens
IL5-02W	Replacement White Lens
IL5-02B	Replacement Blue Lens