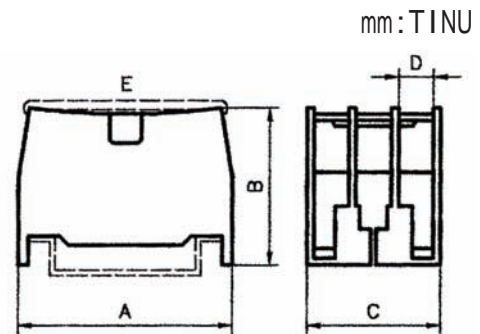


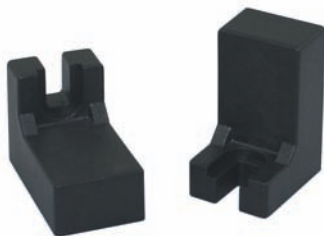
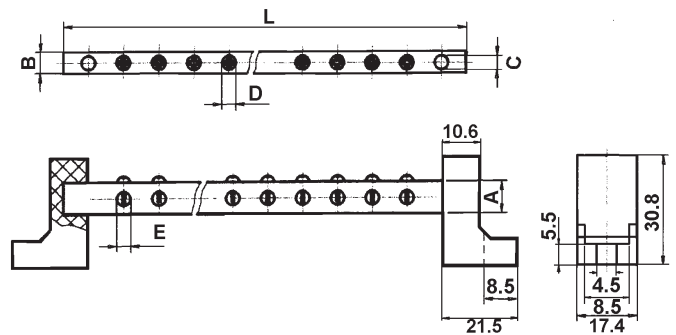
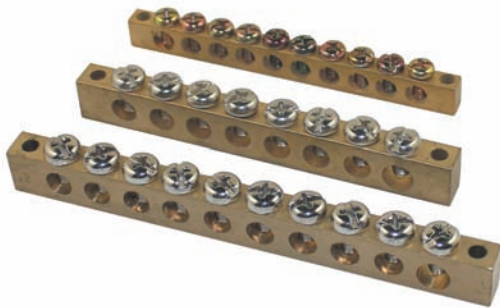
IN Series (Rail Type)



Type	Descriptions*	Dimension (mm)				
		A	B	C	D	E
IN12	2P 2mm ² 20A	40	30	20	8	37
IN13	3P 2mm 20A	40	30	25	6.7	37
IN20	2P 2mm 20A	40	30	30	9.7	37
IN30	2P 2mm 20A	45	34	43	12.2	48
IN411	2P 2mm 20A	45	34	15.5	13.5	48
IN60	2P 2mm 20A	56	38	22	17	56
IN100	2P 2mm 20A	75	45	32	24	73.5
IN200	2P 2mm 20A	86	57	39	31	86.5
IN400	IP 200mm ² 370A	125	73	62	52.3	126

* cross-section area of wire used

Grounding Bus-Bar



Item #	Dimension Unit:mm						Wire Gauge
	A	B	C	D	E	L	
G-9604	9	6	4	M4	5.2	48.5	7 AWG through 26 AWG
G-9606	9	6	4	M4	5.2	63.5	
G-9608	9	6	4	M4	5.2	78.5	
G-9610	9	6	4	M4	5.2	93.5	
G-9612	9	6	4	M4	5.2	108.5	
G-12804	12	8	4	M5	6.5	55.5	4 AWG through 14 AWG
G-12806	12	8	4	M5	6.5	75.5	
G-12808	12	8	4	M5	6.5	95.5	
G-12810	12	8	4	M5	6.5	115.5	
G-12812	12	8	4	M5	6.5	135.5	