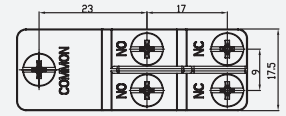


GENERAL-PURPOSE MICRO SWITCHES ZY-10 SERIES

Specifications	
Operating Speed	0.01mm-1m/sec
Operating Frequency	Mechanical: 240ops/min Electrical: 20 ops/min
Insulation Resistance	>100MΩ@500V DC
Contact Resistance	<15mΩ
Rated Current/Voltage	10A 1/2HP 125/250VAC, 2A 480VAC, 0.5A 125VDC, 0.25A 250VDC
Dielectric Strength	1000VAC for 1 min between current carrying parts 1500VAC for 1 min between non-current carrying parts
Service Life	Mechanically 1.0 x10 ⁶ (operations) Electrically 5 x10 ⁵ (operations)
Operating Temperature	-25~+80°C (-13~176°F)
Humidity	35%~85%RH
Degree of Protection	general type:IP00 drip-proof type(suffix:-55):IP63

Definitions of Operating Characteristics

OF Operating Force PT Pretravel
 RF Releasing Force MD Movement Differential
 OT Overtravel OP Operating Position
 TT Total Travel PO Travel to Positive Opening

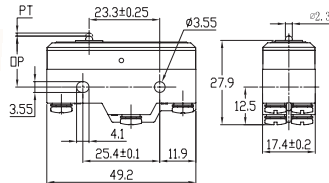


Ratings

Series	Rate Voltage	Non-inductive load (A)				Inductive load (A)			
		Resistive load		Bulb load		Inductive load		Motor load	
		NC	NO	NC	NO	NC	NO	NC	NO
Series Connection	AC125	10	4	2	6	5	2.5	1.5	
	250	10	2.5	1.5	6	3	1.5		
	DC 30	10	4	2	6	6	3		
Parallel Connection	125	1	1	1	0.1	0.1	0.1		
	250	0.6	0.6	0.6	0.05	0.05	0.05		
	AC125	6	3	1.5	4	4	2		
Parallel Connection	250	6	2.5	1.25	4	2	1		
	DC 30	6			4				
	125	0.6			0.1				
	250	0.3			0.05				

Dimensions Unit: mm

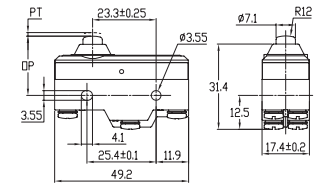
ZY-10G



Operating Characteristics

- OF_{max} 3.43N
- RF_{min} 1.12N
- PT_{max} 0.4mm
- OT_{min} 0.13mm
- MD_{max} 0.05mm
- OP 15.9±0.4mm

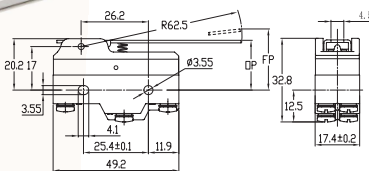
ZY-10GD



Operating Characteristics

- OF_{max} 3.43N
- RF_{min} 1.12N
- PT_{max} 0.4mm
- OT_{min} 1.6mm
- MD_{max} 0.05mm
- OP 21.5±0.5mm

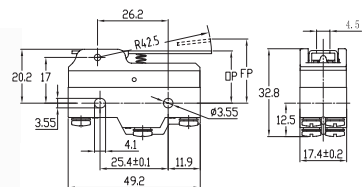
ZY-10GW



Operating Characteristics

- OF_{max} 0.69N
- RF_{min} 0.14N
- PT_{max} 10mm
- OT_{min} 5.6mm
- MD_{max} 2mm
- OP 19.1±0.7mm
- FP_{max} 28.2mm

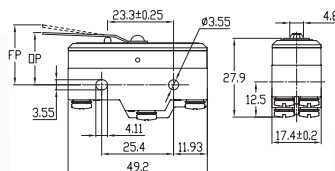
ZY-10GW1



Operating Characteristics

- OF_{max} 1.03N
- RF_{min} 0.21N
- PT_{max} 6.6mm
- OT_{min} 3.7mm
- MD_{max} 0.85mm
- OP 18.4±0.5mm
- FP_{max} 24.5mm

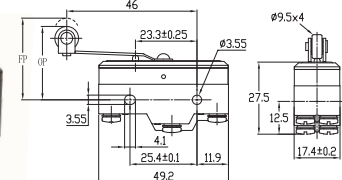
ZY-10GL



Operating Characteristics

- OF_{max} 1.47N
- RF_{min} 0.14N
- PT_{max} 4mm
- OT_{min} 1.6mm
- MD_{max} 1.3mm
- OP 17.4±0.8mm
- FP 20.6mm

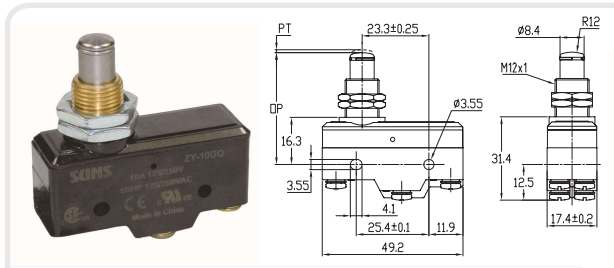
ZY-10GL2



Operating Characteristics

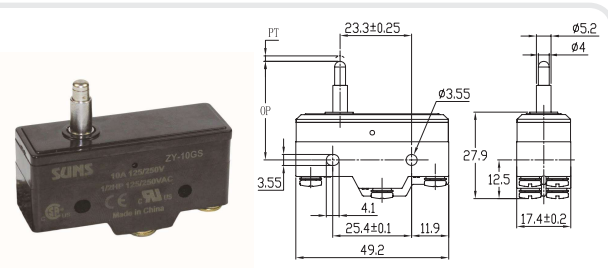
- OF_{max} 1.47N
- RF_{min} 0.14N
- OT_{min} 1.6mm
- PT_{max} 4mm
- MD_{max} 1.3mm
- OP 28.6±0.8mm
- FP 31.8mm

GENERAL-PURPOSE MICRO SWITCHES ZY-10 SERIES



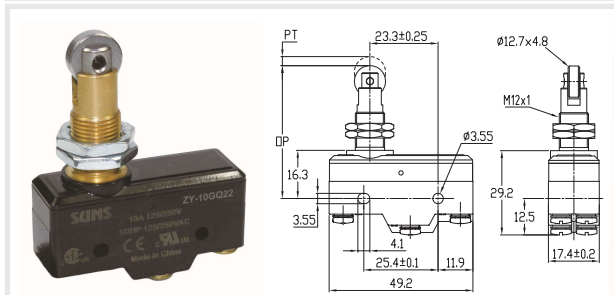
ZY-10GQ Operating Characteristics

- OF_{max} 3.43N
- RF_{min} 1.12N
- PT_{max} 0.4mm
- OT_{min} 5.5mm
- MD_{max} 0.05mm
- OP 21.8±0.8mm



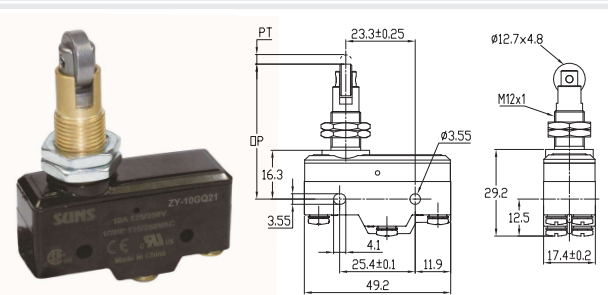
ZY-10GS Operating Characteristics

- OF_{max} 3.43N
- RF_{min} 1.12N
- PT_{max} 0.4mm
- OT_{min} 1.6mm
- MD_{max} 0.05mm
- OP 28.2±0.6mm



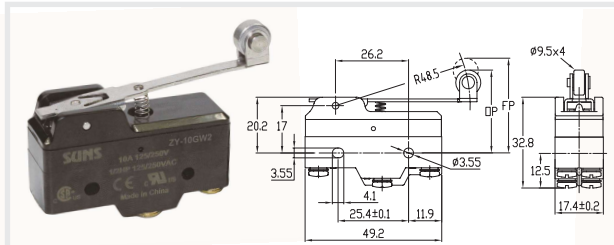
ZY-10GQ22 Operating Characteristics

- OF_{max} 3.43N
- RF_{min} 1.12N
- PT_{max} 0.4mm
- OT_{min} 3.58mm
- MD_{max} 0.05mm
- OP 33.4±1.2mm



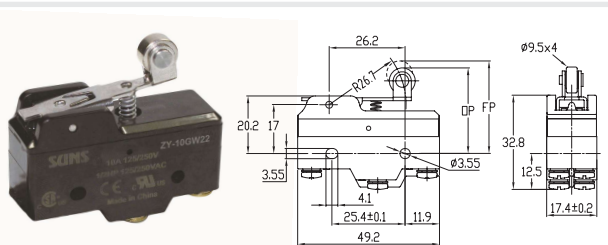
ZY-10GQ21 Operating Characteristics

- OF_{max} 3.43N
- RF_{min} 1.12N
- PT_{max} 0.4mm
- OT_{min} 3.58mm
- MD_{max} 0.05mm
- OP 33.4±1.2mm



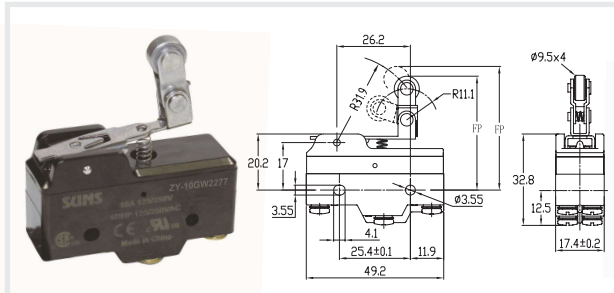
ZY-10GW2 Operating Characteristics

- OF_{max} 0.98N
- RF_{min} 0.21N
- PT_{max} 7.1mm
- OT_{min} 4mm
- MD_{max} 1.02mm
- FP_{max} 36.5mm
- OP 30.2±0.8mm



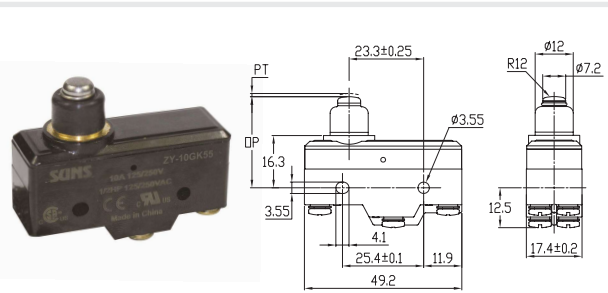
ZY-10GW22 Operating Characteristics

- OF_{max} 1.57N
- RF_{min} 0.41N
- PT_{max} 2.7mm
- OT_{min} 2.4
- MD_{max} 0.8mm
- FP_{max} 32.5mm
- OP 30.2±0.4mm



ZY-10GW2277 Operating Characteristics

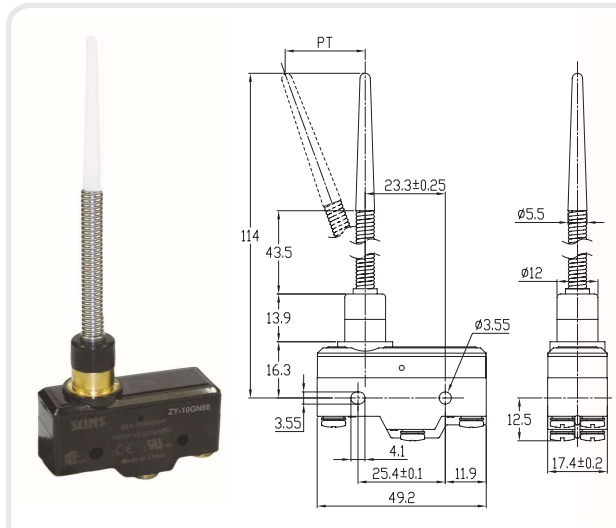
- OF_{max} 1.67N
- RF_{min} 0.41N
- PT_{max} 3mm
- OT_{min} 2.4mm
- MD_{max} 0.8mm
- FP_{max} 43.5mm
- OP 41.3±0.8mm



ZY-10GK55 Operating Characteristics

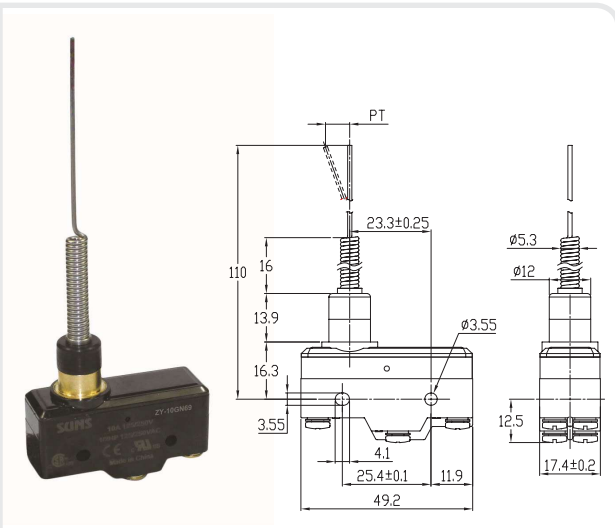
- OF_{max} 5.3N
- RF_{min} 1.11N
- OT_{min} 1.6mm
- PT_{max} 2.3mm
- MD_{max} 0.06mm
- OP 28.2±0.5mm

GENERAL-PURPOSE MICRO SWITCHES ZY-10 SERIES



ZY-10GN66
Operating Characteristics

- OF_{max} 0.7N
- PT_{max} 25mm



ZY-10GN69
Operating Characteristics

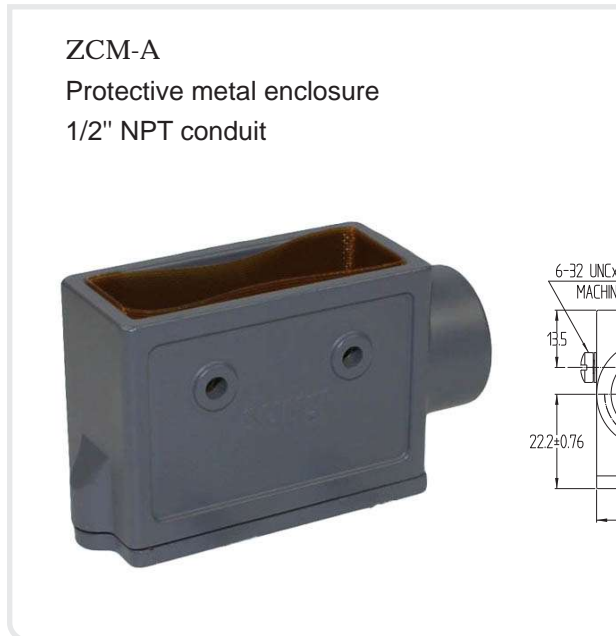
- OF_{max} 0.7N
- PT_{max} 25mm



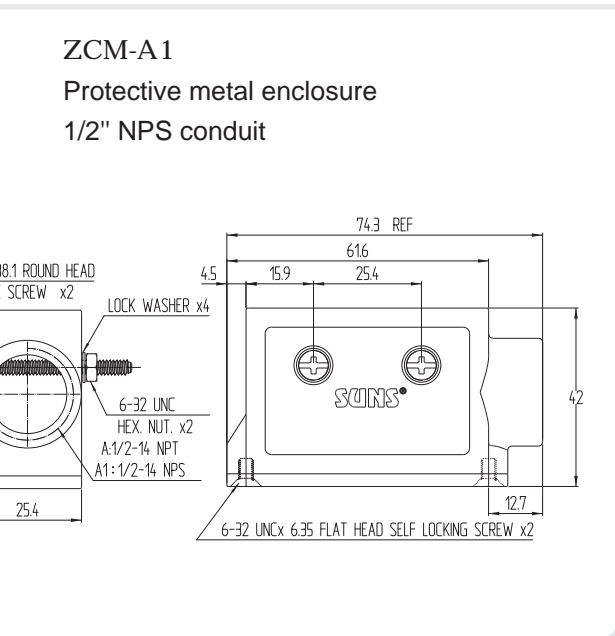
ZC-1
 Protective sleeve



ZC-2
 Protective sleeve



ZCM-A
 Protective metal enclosure
 1/2" NPT conduit



ZCM-A1
 Protective metal enclosure
 1/2" NPS conduit