

FSB-6 Medical Footswitches (IPX8)

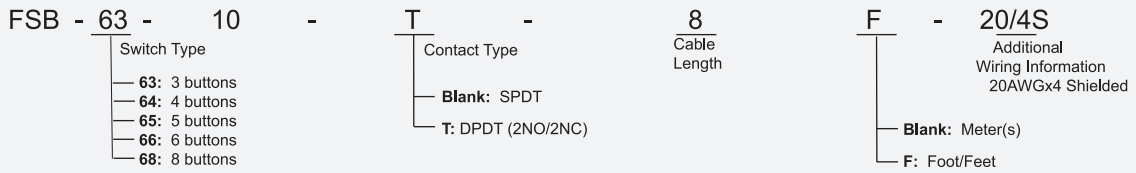
Features

- Ergonomic low profile design
- Button available 3 to 8
- Easy to clean
- High mechanical stability
- Soft touch button with light operating force

Specifications

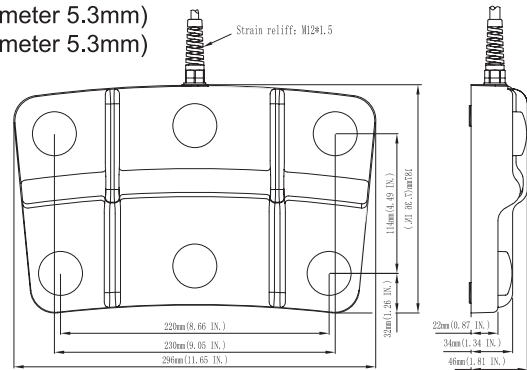
Operating Frequency	60 ops/min
Insulation Resistance	>100MΩ@500V DC
Contact Resistance	<25mΩ (initial)
Rated Current/Voltage	15A, 1/2HP, 125/250VAC or 20A 1HP 125VAC, 2HP 250VAC
Dielectric Strength	1000VAC for 1 min between current carrying parts 2500VAC for 1 min between non-current carrying parts
Service Life	1 x 10 ⁶ (operations)
Operating Temperature	20~+80°C (-4~176°F)
Degree of Protection	IP68 (NEMA 4, 4x, 6, 6P)

Selection Guide:



Dimensions:

- FSB-63-10-2-20/4S (20AWGx4, shielded, 2 meters, 3x 1NO, cable diameter 7.0mm)
- FSB-64-10-2-22/5S (22AWGx5, shielded, 2 meters, 4x 1NO, cable diameter 5.6mm)
- FSB-65-10-2-26/7 (26AWGx7, PUR, coiled, 5x 1NO, cable diameter 5.3mm)
- FSB-66-10-2-26/7 (26AWGx7, PUR, coiled, 6x 1NO, cable diameter 5.3mm)



- FSB-68-10-2-22/9 (22AWG, coiled, 8x 1NO, cable diameter 7.4mm)

