

## FS6 Series Medical Foot Switches

### Features

- Robust aluminum alloy die cast body
- Galvanically separated contacts with double-break
- Captive screws for easy wiring
- Positive opening of NC contacts
- UL/CSA/CE and CCC approved
- Threaded hole available in: PG13.5, M20x1.5 and 1/2NPT
- Custom color/wirings available

### Specifications

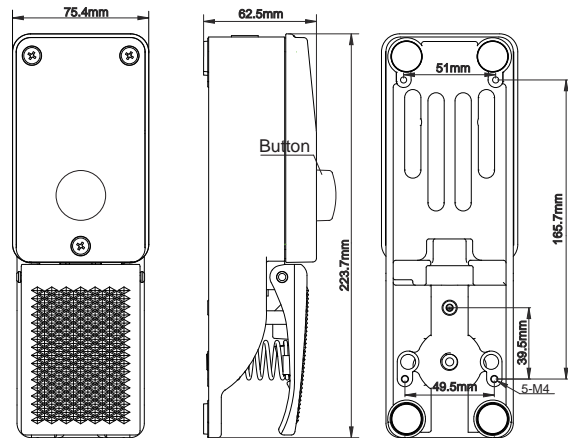
Operating Frequency	60 ops/min
Insulation Resistance	>100MΩ@500V DC
Contact Resistance	<25mΩ (initial)
Rated Current/Voltage	10A/600V AC A600/AC15 Q300/DC13
Inrush Current	Complies with IEC947-5-1: AC15/DC13
Dielectric Strength	1000VAC for 1 min between current carrying parts 2500VAC for 1 min between non-current carrying parts
Service Life	1 x 10 <sup>6</sup> (operations)
Operating Temperature	-30~+80°C (-22~176°F)
Degree of Protection	IP68

### Selection Guide:

<b>FS - 61</b>	-	<b>G</b>	-	<b>SP</b>	-	<b>T</b>	-	<b>C</b>	-	<b>B1</b>	-	<b>U/W</b>	-	<b>N</b>
Number of Pedals		Guarding Options		Switch Type		Switch Configuration		Conduit Type		Optional Pushbutton		Pedal Color/ Enclosure Color		
61: 1 pedal 62: 2 pedals		Blank: No guard G: Fully guarded		SP: 10A snap action SL: 10A slow action		Blank: SPDT T: DPDT S: 2 stages		A: 1/2NPT B: PG13.5 C: M20 x1.5		B1: 1 button B2: 2 buttons		U: Blue W: White B: Black O: Orange Y: Yellow R: Red		

### Dimensions:

FS-61-SP-\_-B1-U/W-N(Snap action)  
FS-61-SL-\_-B1-U/W-N(Slow action)



FS-62-SP-\_-B1-YU/W-N(Snap action)  
FS-62-SL-\_-B1-YU/W-N(Slow action)  
FS-62-SP-\_-B2-YU/W-N(Snap action)  
FS-62-SL-\_-B2-YU/W-N(Slow action)

