

## FS-5 Series Heavy Duty Foot Switches

### Features

- Treadle and housing constructed from cast aluminum for strength and durability
- Strong cast aluminum guard construction
- Features an anti-trip treadle mechanism that helps prevent accidental actuation through unintentional stepping on foot treadle
- Anti-skid rubber feet and three holes for rigid mounting to floor or equipment
- UL/CSA/CE/CCC certified
- Conduit available in: 3/4NPT, 1/2NPT, M20, 1/2NPTx2, M20x2

### Specifications

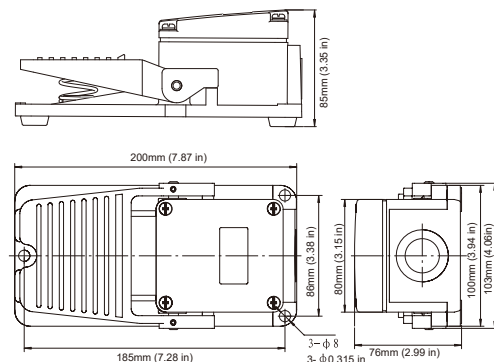
Operating Frequency	60 ops/min
Insulation Resistance	>100MΩ@500V DC
Contact Resistance	<25mΩ (initial)
Rated Current/Voltage	15A, 20A or 25A 125V/250VAC
Dielectric Strength	1000VAC for 1 min between current carrying parts 2500VAC for 1 min between non-current carrying parts
Service Life	Mechanically 1 x10 <sup>6</sup> (operations) Electrically 5 x10 <sup>5</sup> (operations)
Operating Temperature	-20~+80°C (-4~176°F)
Degree of Protection	IP65, NEMA type 2, 4, 13 (IP68, NEMA type 6, 6P available on request)

Part Number	Description	Guard	Anti-Trip	Protective Gate	Stage	Circuit	Degree of Protection	Conduit Thread*	Electrical Ratings
FS-5-20-F(AL)	Momentary	No	No	No	1	SPDT	IP65	3/4"NPT	20A 125-250VAC 1.5HP/125VAC, 2HP/250VAC
FS-5-20-T-F(AL)	Momentary	No	No	No	1	DPDT	IP65	3/4"NPT	
FS-5-20-S-F(AL)	Momentary	No	No	No	2	DPDT	IP65	3/4"NPT	
FS-5G-20-F(AL)	Momentary	Yes	No	No	1	SPDT	IP65	3/4"NPT	
FS-5G-20-D-F(AL)	Maintained	Yes	No	No	1	SPDT	IP65	3/4"NPT	
FS-5G-20-A-F(AL)	Momentary	Yes	Yes	No	1	SPDT	IP65	3/4"NPT	
FS-5G-20-T-F(AL)	Momentary	Yes	No	No	1	DPDT	IP65	3/4"NPT	
FS-5G-20-S-F(AL)	Momentary	Yes	No	No	2	DPDT	IP65	3/4"NPT	
FS-5G-20-D-T-F(AL)	Maintained	Yes	No	No	1	DPDT	IP65	3/4"NPT	
FS-5G-20-A-T-F(AL)	Momentary	Yes	Yes	No	1	DPDT	IP65	3/4"NPT	
FS-5G-20-A-S-F(AL)	Momentary	Yes	Yes	No	2	DPDT	IP65	3/4"NPT	
FS-5G-20-AG-F(AL)	Momentary	Yes	Yes	Yes	1	SPDT	IP65	3/4"NPT	
FS-5G-20-AG-T-F(AL)	Momentary	Yes	Yes	Yes	1	DPDT	IP65	3/4"NPT	
FS-5G-20-AG-S-F(AL)	Momentary	Yes	Yes	Yes	2	DPDT	IP65	3/4"NPT	

\* 1/2"NPT conduit thread available by request

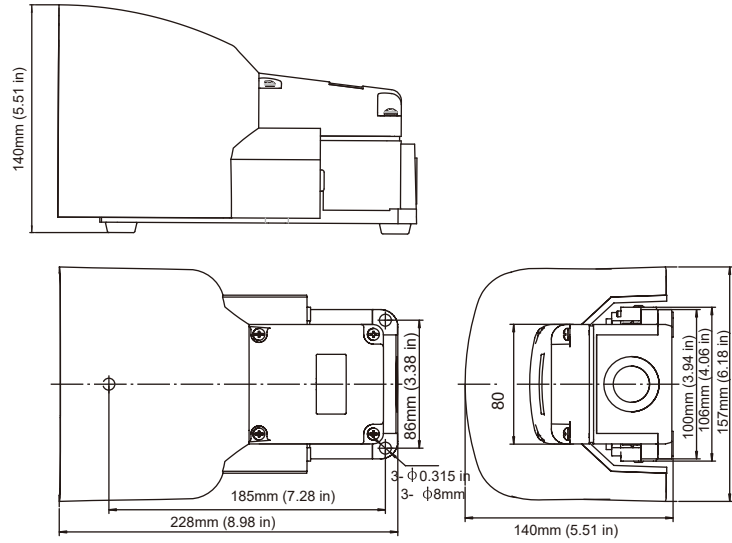
### Dimensions:

#### FS-5-20-F(AL)



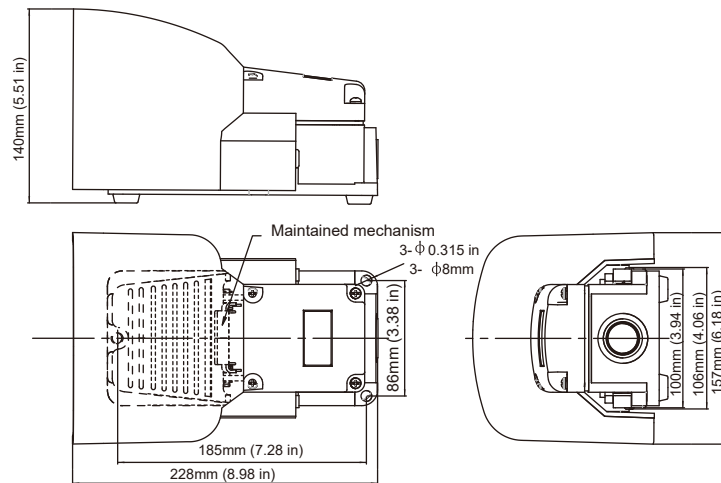
## FS-5 Series Heavy Duty Foot Switches

**FS-5G-20-F(AL)**



**FS-5G-20D-F(AL)**

Maintained



**FS-5G-20-AG-F(AL)**

Anti-trip with gate

