

FAS Series Air Actuated Switches

Features

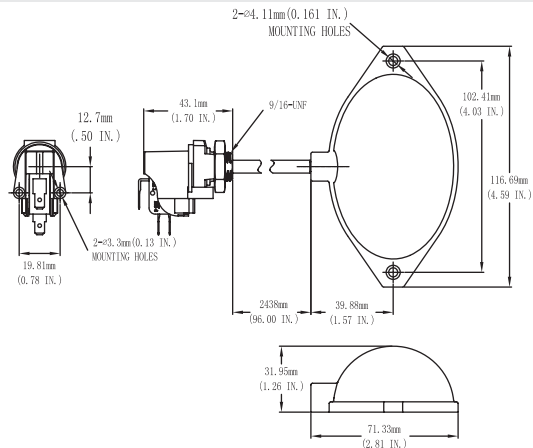
- Long life air bulb actuator
- Remotely located air operated electric snap switch
- Supplied with a 10 foot 1/8" ID PVC tubing connecting the foot pedal to the remote airswitch
- Remote switch equipped with a 9/16" U.N.F. bulkhead mount
- Isolating the electrically live snap switch from the floor
- Offers environmental protection from short or shock

Specifications

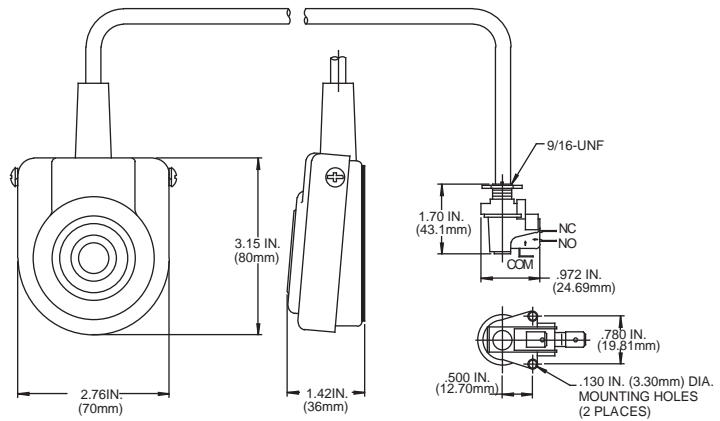
Operating Frequency	60 ops/min
Insulation Resistance	>100MΩ @500V DC
Contact Resistance	<25mΩ (initial)
Rated Current/Voltage	15A, 1/2HP, 125/250VAC or 20A 1HP 125VAC, 2HP 250VAC
Dielectric Strength	1000VAC for 1 min between current carrying parts 2500VAC for 1 min between non-current carrying parts
Service Life	Mechanically 1 x 10 ⁶ (operations) Electrically 5 x 10 ⁵ (operations)
Operating Temperature	-20~+80°C (-4~176°F)
Degree of Protection	IP68 (NEMA 4, 4x, 6, 6P)

Dimensions:

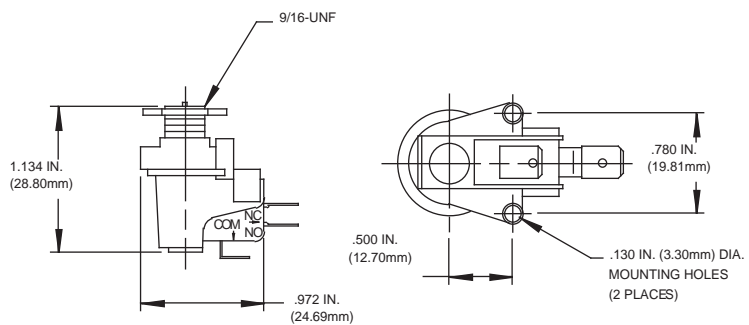
FAS-1-15(15A)
FAS-1-20(20A)



FAS-9-15(15A)
FAS-9-20(20A)

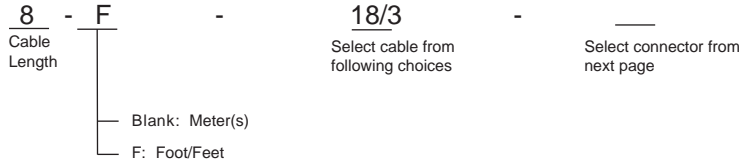


AS-15(15A)
AS-20(20A)



Cables for Foot Switches

Selection Guide:



Order code	Gauge	Jacket Material	O.D.	Type	Color
18/2	18AWG x 2	PVC	7.5mm (0.30")	SJT	Black
18/3	18AWG x 3	PVC	7.8mm (0.307")	SJT	Black
16/4	16AWG x 4	PVC	9.3mm (0.366")	SJT	Black
14/3	14AWG x 3	PVC	9.3mm (0.366")	SJT	Black
14/4	14AWG x 4	PVC	10.3mm (0.406")	SJT	Black
20/4S(7032)	20AWG x 4	PVC (shield)	7.0mm (0.276")	AWM	RAL7032
20/4S(7030)	20AWG x 4	PVC (shield)	7.0mm (0.276")	AWM	RAL7030
22/4S	22AWG x 4	PVC (shield)	7.0mm (0.276")	AWM	Black
22/5S	22AWG x 5	PVC (shield)	5.6mm (0.22")	AWM	RAL7030
26/7-PUR-C	26AWG x 7	PUR	5.3mm (0.209")	Coil Cord	Black
23/7-PUR-C	23AWG x 7	PUR	6.0mm (0.236")	Coil Cord	Black



23/7-PUR-C



26/7-PUR-C