

METAL BODIED SAFETY LIMIT SWITCHES SN62 SERIES

SUNS products help to make factories run more efficiently, product manufacturing smarter, and automation environments more productive.



Features

- Aluminum die cast body
- Earth grounding surface on same level as switching
- Easily interchangeable contact block
- Galvanically separated contacts
- Screw terminals with self-lifting clamps for easy wiring
- Positive Opening of NC contacts
- 4 x 90° actuator positions
- Cable entry available: M20, PG13.5 and 1/2"NPT

Definitions of Operating Characteristics

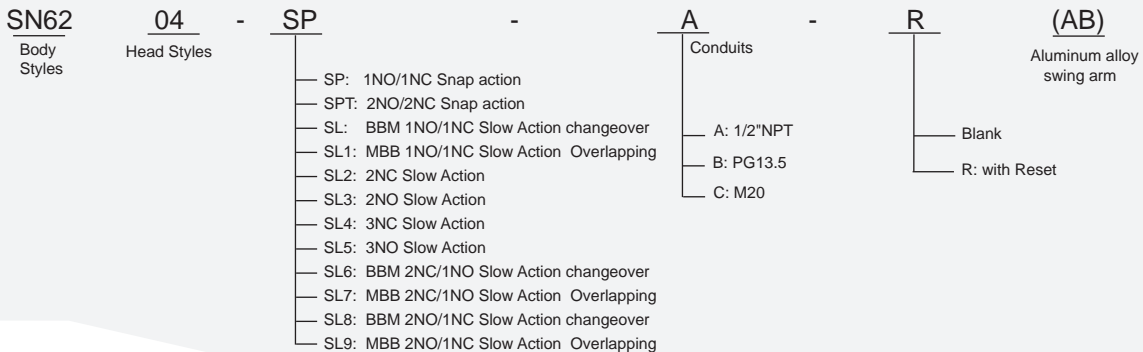
- OF Operating Force
- RF Releasing Force
- OT Overtravel
- TT Total Travel
- PT Pretravel
- MD Movement Differential
- OP Operating Position
- PO Travel to Positive Opening



Specifications

Operating Speed	0.05mm-2m/sec
Operating Frequency	Mechanical: 120ops/min Electrical: 30 ops/min
Insulation Resistance	>100MΩ@500V DC
Contact Resistance	<25mΩ (initial value)
Rated Thermal Current	10A/600V AC (EN60947-5-1) UL/cUL Listed (E216958) AC15 A600 / DC13 Q300
Dielectric Strength	1000VAC for 1 min between current carrying parts 2500VAC for 1 min between non-current carrying parts
Service Life	Mechanically 1.0 x10 ⁷ (operations) Electrically 5 x10 ⁵ (operations)
Operating Temperature	-25~+80°C (-13~176°F) with no icing
Humidity	< 95%RH
Weight	220-300g
Degree of Protection	IP67

Selection Guide:



METAL BODIED SAFETY LIMIT SWITCHES SN62 SERIES

Available contact blocks and travel diagrams



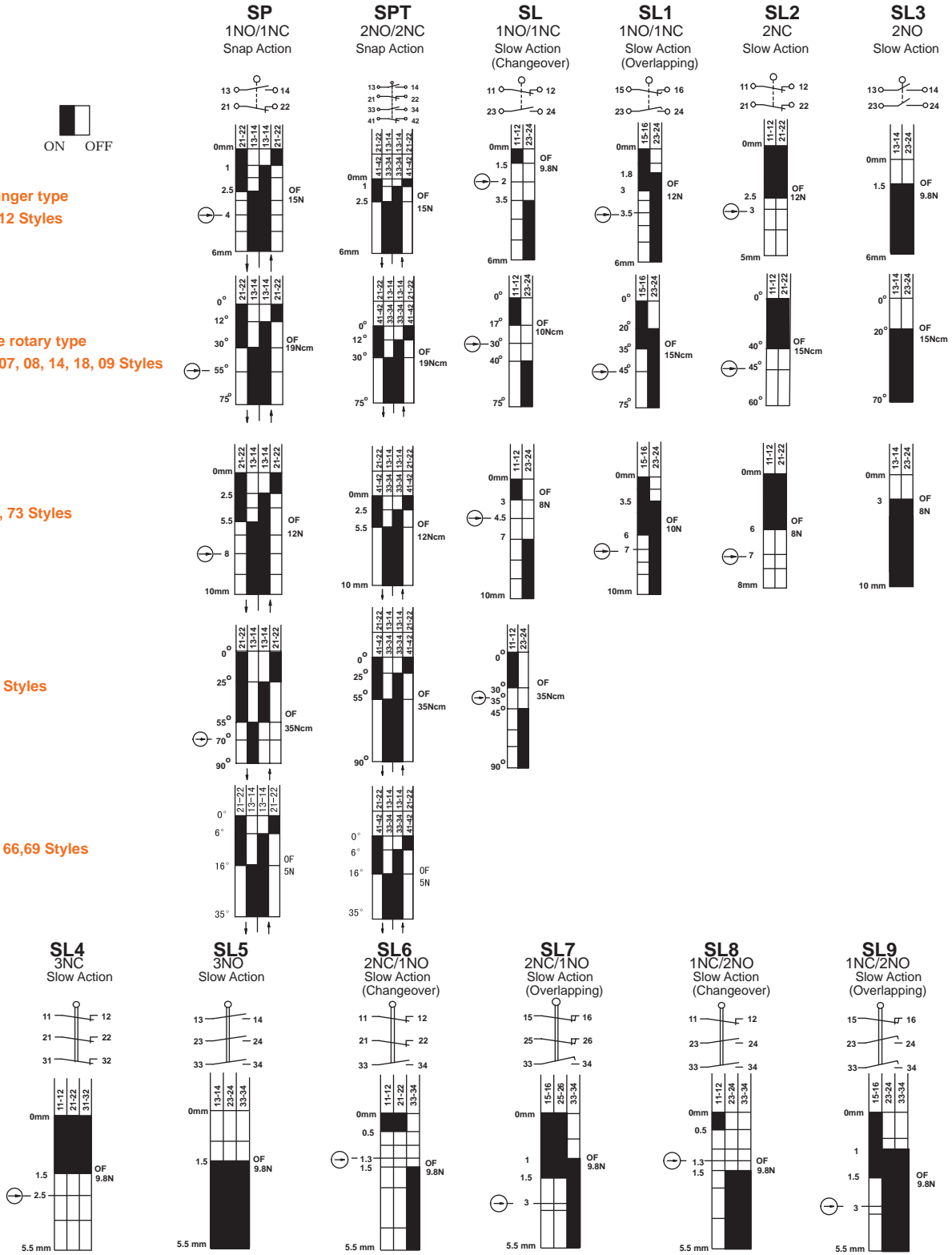
Plunger type
11,12 Styles

Side rotary type
04, 07, 08, 14, 18, 09 Styles

72, 73 Styles

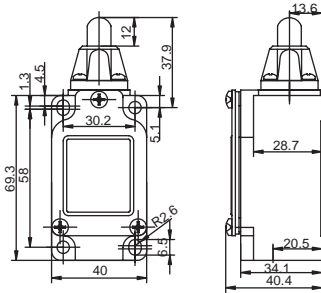
05 Styles

00, 66,69 Styles



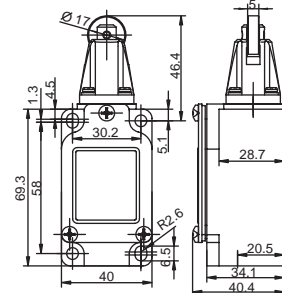
METAL BODIED SAFETY LIMIT SWITCHES SN62 SERIES

SN6211



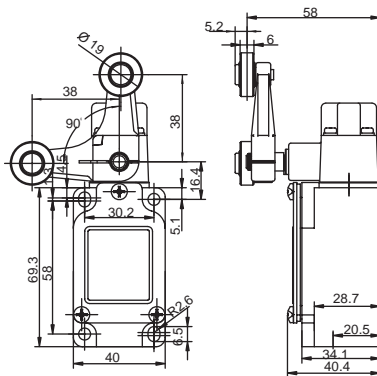
Order Code	Contact block			
SN6211-SP- _	SP		snap action	1NO+1NC
SN6211-SL- _	SL		slow action	1NO+1NC BBM
SN6211-SL1- _	SL1		slow action	1NO+1NC MBB
SN6211-SL2- _	SL2		slow action	2NC

SN6212



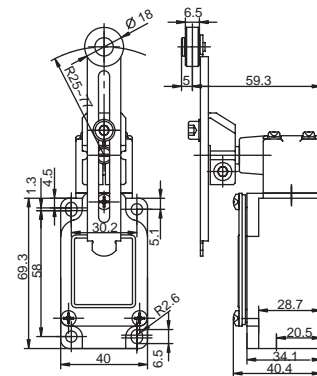
Order Code	Contact block			
SN6212-SP- _	SP		snap action	1NO+1NC
SN6212-SL- _	SL		slow action	1NO+1NC BBM
SN6212-SL1- _	SL1		slow action	1NO+1NC MBB
SN6212-SL2- _	SL2		slow action	2NC

SN6205



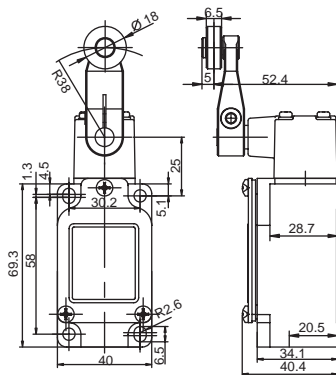
Order Code	Contact block			
SN6205-SP- _	SP		snap action	1NO+1NC
SN6205-SL- _	SL		slow action	1NO+1NC BBM

SN6208



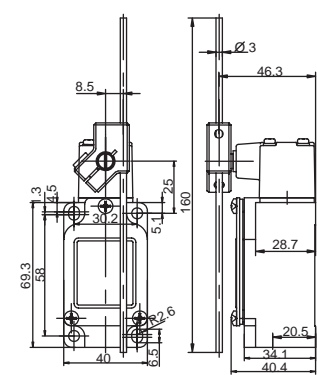
Order Code	Contact block			
SN6208-SP- _	SP		snap action	1NO+1NC
SN6208-SL- _	SL		slow action	1NO+1NC BBM
SN6208-SL1- _	SL1		slow action	1NO+1NC MBB
SN6208-SL2- _	SL2		slow action	2NC

SN6204



Order Code	Contact block			
SN6204-SP- _	SP		snap action	1NO+1NC
SN6204-SL- _	SL		slow action	1NO+1NC BBM
SN6204-SL1- _	SL1		slow action	1NO+1NC MBB
SN6204-SL2- _	SL2		slow action	2NC

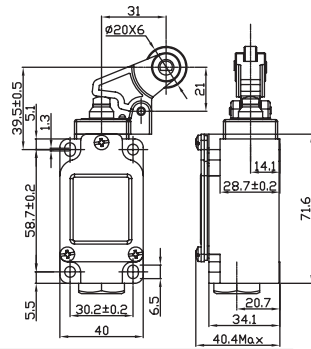
SN6207



Order Code	Contact block			
SN6207-SP- _	SP		snap action	1NO+1NC
SN6207-SL- _	SL		slow action	1NO+1NC BBM
SN6207-SL1- _	SL1		slow action	1NO+1NC MBB
SN6207-SL2- _	SL2		slow action	2NC

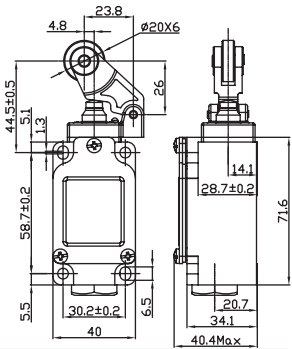
METAL BODIED SAFETY LIMIT SWITCHES SN62 SERIES

SN6272



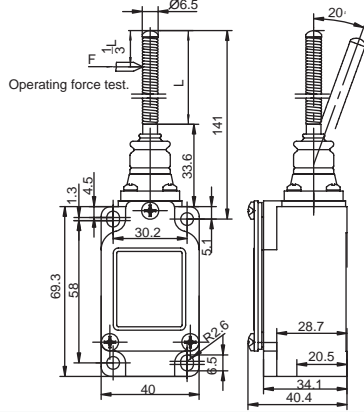
Order Code	Contact block			
SN6272-SP- _	SP	⊕	snap action	1NO+1NC
SN6272-SL- _	SL	⊕	slow action	1NO+1NC BBM
SN6272-SL1- _	SL1	⊕	slow action	1NO+1NC MBB
SN6272-SL2- _	SL2	⊕	slow action	2NC

SN6273



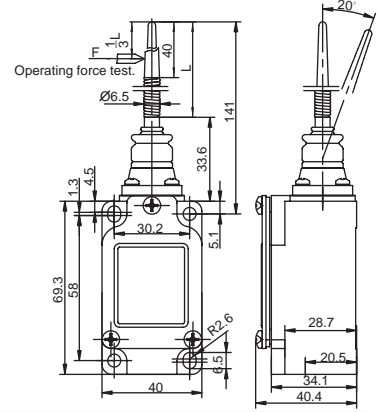
Order Code	Contact block			
SN6273-SP- _	SP	⊕	snap action	1NO+1NC
SN6273-SL- _	SL	⊕	slow action	1NO+1NC BBM
SN6273-SL1- _	SL1	⊕	slow action	1NO+1NC MBB
SN6273-SL2- _	SL2	⊕	slow action	2NC

SN6200



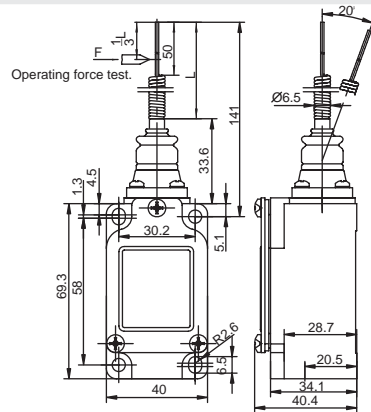
Order Code	Contact block			
SN6200-SP- _	SP		snap action	1NO+1NC

SN6266



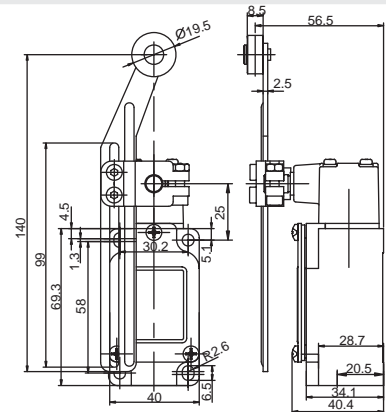
Order Code	Contact block			
SN6266-SP- _	SP		snap action	1NO+1NC

SN6269



Order Code	Contact block			
SN6269-SP- _	SP		snap action	1NO+1NC

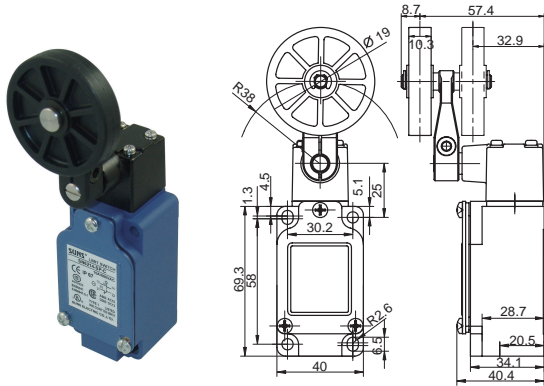
SN6209



Order Code	Contact block			
SN6209-SP- _	SP	⊕	snap action	1NO+1NC
SN6209-SL- _	SL	⊕	slow action	1NO+1NC BBM
SN6209-SL1- _	SL1	⊕	slow action	1NO+1NC MBB
SN6209-SL2- _	SL2	⊕	slow action	2NC

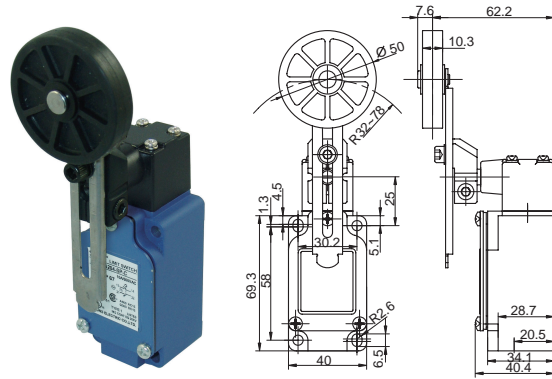
METAL BODIED SAFETY LIMIT SWITCHES SN62 SERIES

SN6214



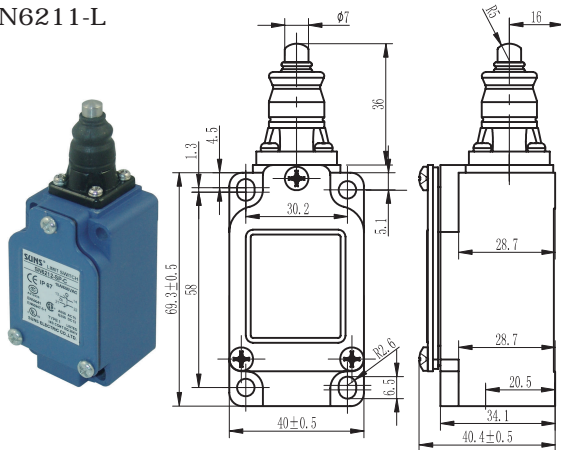
Order Code	Contact block			
SN6214-SP- _	SP		snap action	1NO+1NC
SN6214-SL- _	SL		slow action	1NO+1NC BBM
SN6214-SL1- _	SL1		slow action	1NO+1NC MBB
SN6214-SL2- _	SL2		slow action	2NC

SN6218



Order Code	Contact block			
SN6218-SP- _	SP		snap action	1NO+1NC
SN6218-SL- _	SL		slow action	1NO+1NC BBM
SN6218-SL1- _	SL1		slow action	1NO+1NC MBB
SN6218-SL2- _	SL2		slow action	2NC

SN6211-L



Order Code	Contact block			
SN6211-SP- _L	SP		snap action	1NO+1NC
SN6211-SL- _L	SL		slow action	1NO+1NC BBM
SN6211-SL1- _L	SL1		slow action	1NO+1NC MBB
SN6211-SL2- _L	SL2		slow action	2NC