

GLOBAL STYLE SAFETY LIMIT SWITCHES (PLASTIC BODIED EN50047 TYPE) SND4 SERIES (SINGLE CONDUIT ENTRY)

SUNS products are safe and reliable products which are widely used in various mechanical devices.



Features

- Glass fiber reinforced plastic body
- Easily interchangeable contact block
- Galvanically separated contacts
- Screw terminals with self-lifting clamps for easy wiring
- Positive Opening of NC contacts
- 4 x 90° actuator positions
- Cable entry available: M20, PG13.5 and 1/2"NPT
- Conform to EN 50047 standard

Definitions of Operating Characteristics

- OF Operating Force
- RF Releasing Force
- OT Overtravel
- TT Total Travel
- PT Pretravel
- MD Movement Differential
- OP Operating Position
- PO Travel to Positive Opening



Specifications

Operating Speed	0.05mm-2m/sec
Operating Frequency	Mechanical: 120ops/min Electrical: 30 ops/min
Insulation Resistance	>100MΩ@500V DC
Contact Resistance	<25mΩ (initial value)
Rated Thermal Current	10A/600V AC (EN60947-5-1) AC15 A600 / DC13 Q300
Dielectric Strength	1000VAC for 1 min between current carrying parts 2500VAC for 1 min between non-current carrying parts
Service Life	Mechanically 1.0 x10 ⁷ (operations) Electrically 5 x10 ⁵ (operations)
Operating Temperature	-25~+80°C (-13~176°F) with no icing
Humidity	< 95%RH
Weight	50-100g
Degree of Protection	IP67

Selection Guide:

SND41	04	SP	C	-	R	-	K
Body Styles	Head Styles	<ul style="list-style-type: none"> — SP: 1NO/1NC Snap action — SPT: 2NO/2NC Snap action — SL: BBM 1NO/1NC Slow Action changeover — SL1: MBB 1NO/1NC Slow Action Overlapping — SL2: 2NC Slow Action — SL3: 2NO Slow Action — SL4: 3NC Slow Action — SL5: 3NO Slow Action — SL6: BBM 2NC/1NO Slow Action changeover — SL7: MBB 2NC/1NO Slow Action Overlapping — SL8: BBM 2NO/1NC Slow Action changeover — SL9: MBB 2NO/1NC Slow Action Overlapping 	Conduits				Gold Contact (Optional)
			<ul style="list-style-type: none"> — A: 1/2"NPT — B: PG13.5 — C: M20 — D: M16 — B1: PG11 		Blank		
					R: with Reset		
					N: Neutral position (for rotary SL2 only)		

GLOBAL STYLE SAFETY LIMIT SWITCHES (PLASTIC BODIED EN50047 TYPE) SND4 SERIES (SINGLE CONDUIT ENTRY)

Available contact blocks and travel diagrams



Plunger type
11, 12, 31, 32 Styles

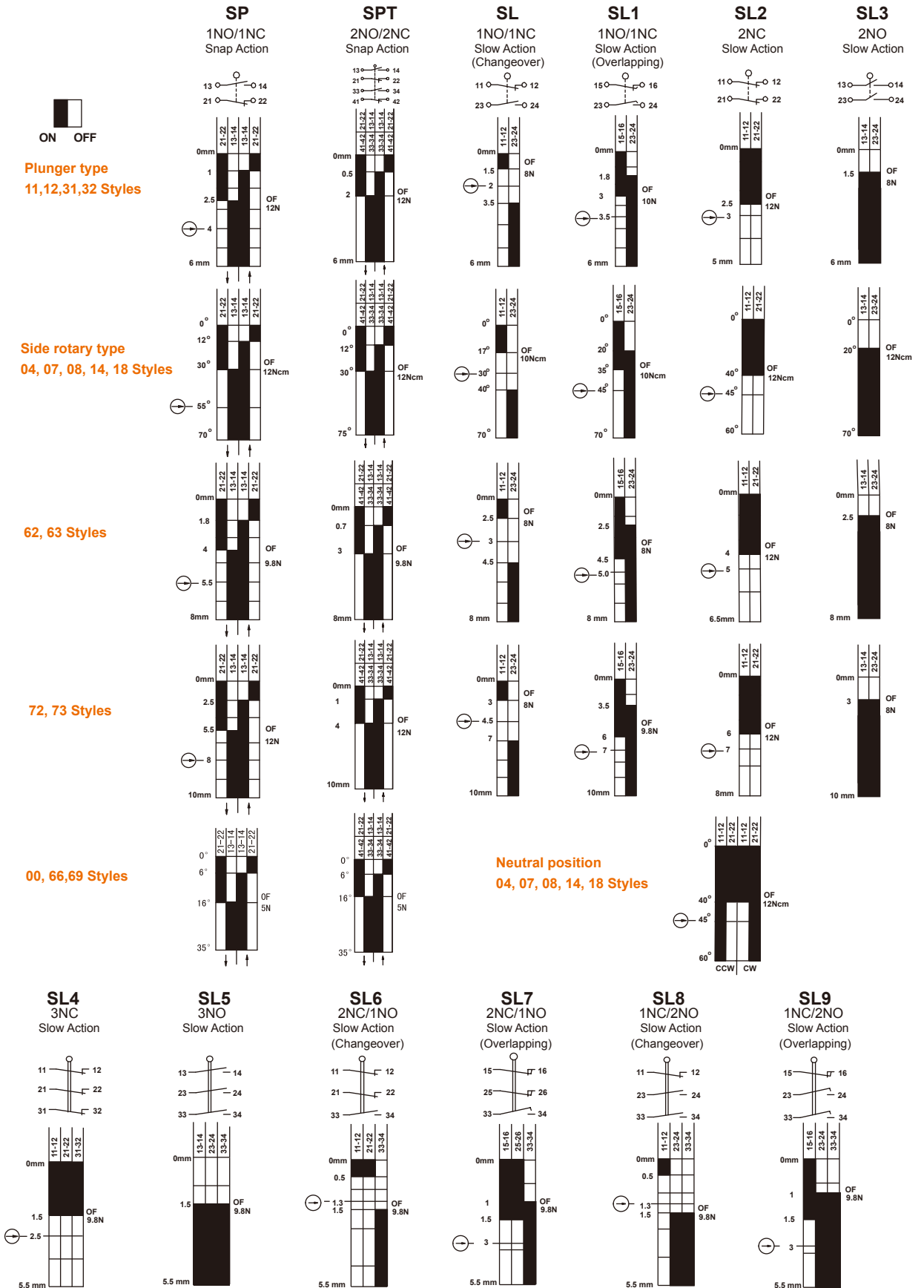
Side rotary type
04, 07, 08, 14, 18 Styles

62, 63 Styles

72, 73 Styles

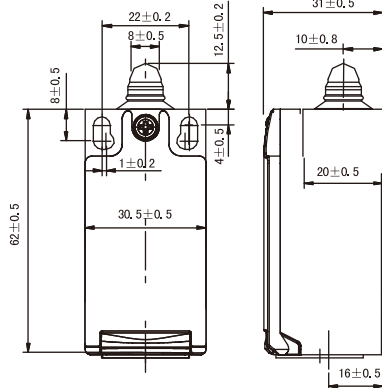
00, 66, 69 Styles

Neutral position
04, 07, 08, 14, 18 Styles



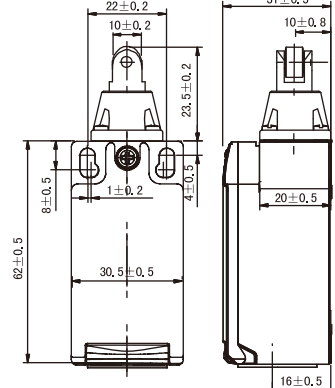
GLOBAL STYLE SAFETY LIMIT SWITCHES (PLASTIC BODIED EN50047 TYPE) SND4 SERIES (SINGLE CONDUIT ENTRY)

SND4111



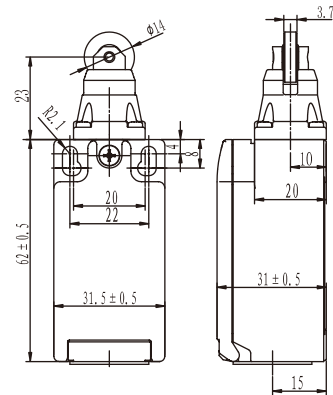
Order Code	Contact block			
SND4111-SP- _	SP	↻	snap action	1NO+1NC
SND4111-SL- _	SL	↻	slow action	1NO+1NC BBM
SND4111-SL1- _	SL1	↻	slow action	1NO+1NC MBB
SND4111-SL2- _	SL2	↻	slow action	2NC

SND4112



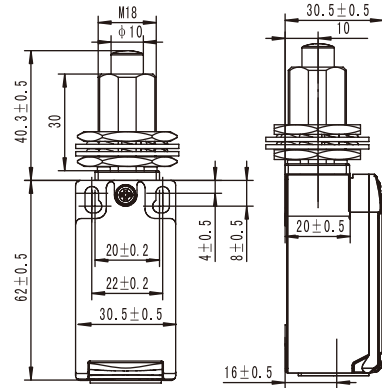
Order Code	Contact block			
SND4112-SP- _	SP	↻	snap action	1NO+1NC
SND4112-SL- _	SL	↻	slow action	1NO+1NC BBM
SND4112-SL1- _	SL1	↻	slow action	1NO+1NC MBB
SND4112-SL2- _	SL2	↻	slow action	2NC

SND4112-L



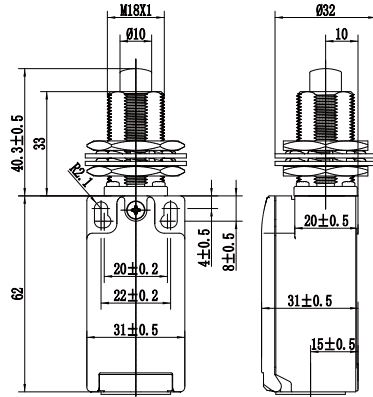
Order Code	Contact block			
SND4112-SP- _L	SP	↻	snap action	1NO+1NC
SND4112-SL- _L	SL	↻	slow action	1NO+1NC BBM
SND4112-SL1- _L	SL1	↻	slow action	1NO+1NC MBB
SND4112-SL2- _L	SL2	↻	slow action	2NC

SND4131



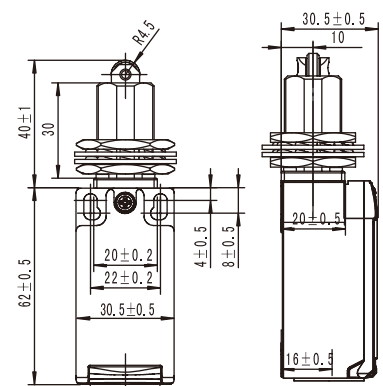
Order Code	Contact block			
SND4131-SP- _	SP	↻	snap action	1NO+1NC
SND4131-SL- _	SL	↻	slow action	1NO+1NC BBM
SND4131-SL1- _	SL1	↻	slow action	1NO+1NC MBB
SND4131-SL2- _	SL2	↻	slow action	2NC

SND4131-P



Order Code	Contact block			
SND4131-SP- _P	SP	↻	snap action	1NO+1NC
SND4131-SL- _P	SL	↻	slow action	1NO+1NC BBM
SND4131-SL1- _P	SL1	↻	slow action	1NO+1NC MBB
SND4131-SL2- _P	SL2	↻	slow action	2NC

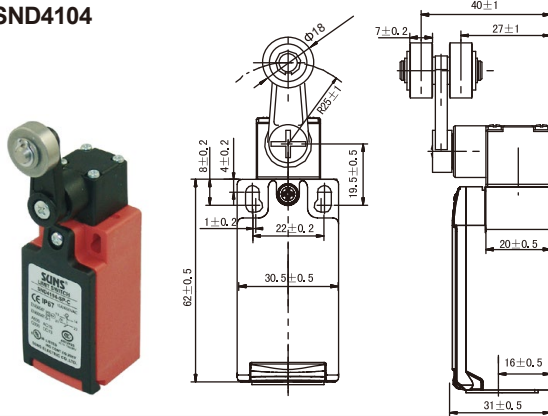
SND4132



Order Code	Contact block			
SND4132-SP- _	SP	↻	snap action	1NO+1NC
SND4132-SL- _	SL	↻	slow action	1NO+1NC BBM
SND4132-SL1- _	SL1	↻	slow action	1NO+1NC MBB
SND4132-SL2- _	SL2	↻	slow action	2NC

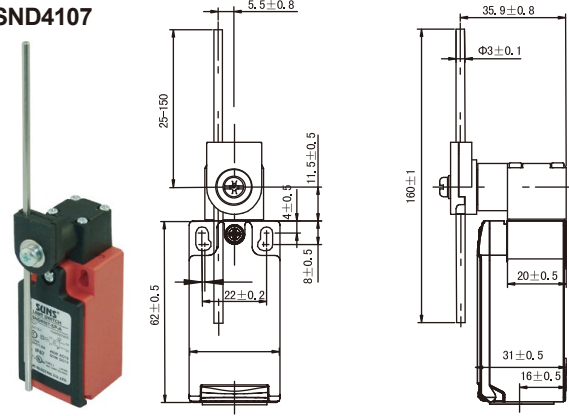
GLOBAL STYLE SAFETY LIMIT SWITCHES (PLASTIC BODIED EN50047 TYPE) SND4 SERIES (SINGLE CONDUIT ENTRY)

SND4104



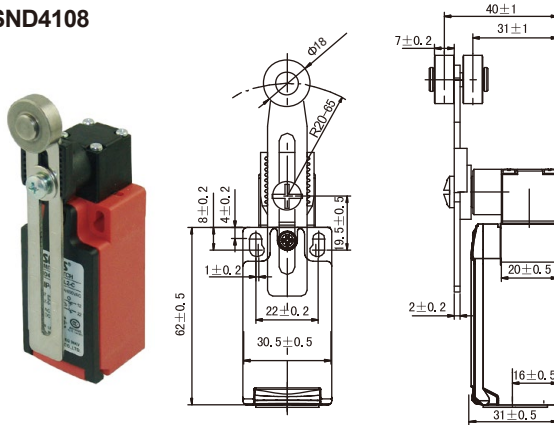
Order Code	Contact block			
SND4104-SP- _	SP	⊕	snap action	1NO+1NC
SND4104-SL- _	SL	⊕	slow action	1NO+1NC BBM
SND4104-SL1- _	SL1	⊕	slow action	1NO+1NC MBB
SND4104-SL2- _N	SL2	⊕	slow action	2NC Neutral position

SND4107



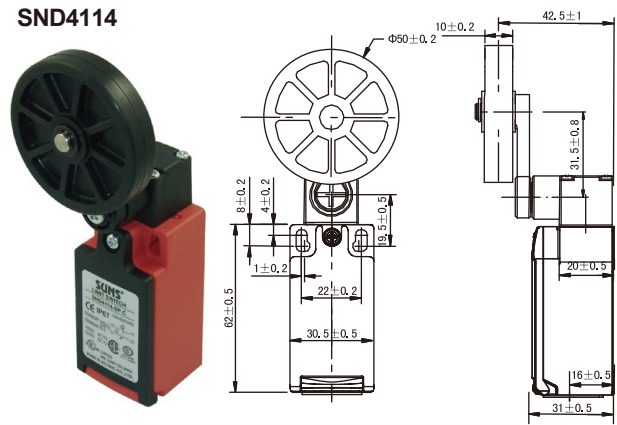
Order Code	Contact block			
SND4107-SP- _	SP	⊕	snap action	1NO+1NC
SND4107-SL- _	SL	⊕	slow action	1NO+1NC BBM
SND4107-SL1- _	SL1	⊕	slow action	1NO+1NC MBB
SND4107-SL2- _N	SL2	⊕	slow action	2NC Neutral position

SND4108



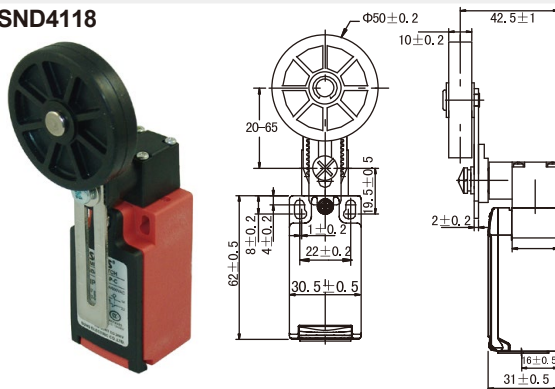
Order Code	Contact block			
SND4108-SP- _	SP	⊕	snap action	1NO+1NC
SND4108-SL- _	SL	⊕	slow action	1NO+1NC BBM
SND4108-SL1- _	SL1	⊕	slow action	1NO+1NC MBB
SND4108-SL2- _N	SL2	⊕	slow action	2NC Neutral position

SND4114



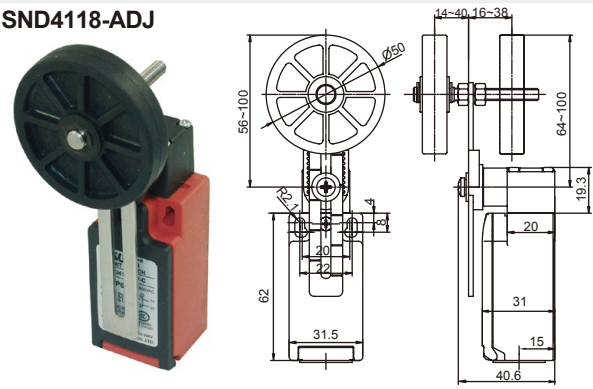
Order Code	Contact block			
SND4114-SP- _	SP	⊕	snap action	1NO+1NC
SND4114-SL- _	SL	⊕	slow action	1NO+1NC BBM
SND4114-SL1- _	SL1	⊕	slow action	1NO+1NC MBB
SND4114-SL2- _N	SL2	⊕	slow action	2NC Neutral position

SND4118



Order Code	Contact block			
SND4118-SP- _	SP	⊕	snap action	1NO+1NC
SND4118-SL- _	SL	⊕	slow action	1NO+1NC BBM
SND4118-SL1- _	SL1	⊕	slow action	1NO+1NC MBB
SND4118-SL2- _N	SL2	⊕	slow action	2NC Neutral position

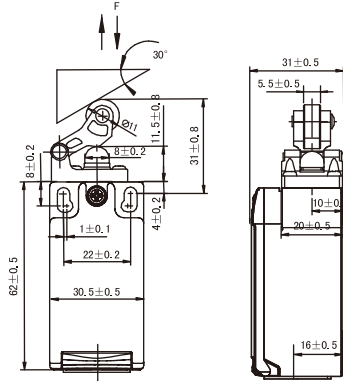
SND4118-ADJ



Order Code	Contact block			
SND4118-SP- _ADJ	SP	⊕	snap action	1NO+1NC
SND4118-SL- _ADJ	SL	⊕	slow action	1NO+1NC BBM
SND4118-SL1- _ADJ	SL1	⊕	slow action	1NO+1NC MBB
SND4118-SL2- _ADJ_N	SL2	⊕	slow action	2NC Neutral position

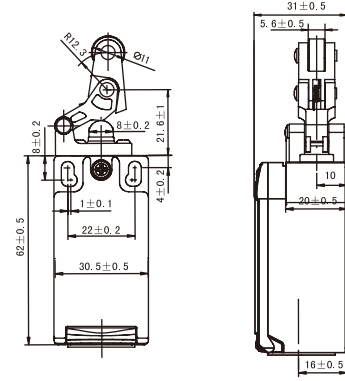
GLOBAL STYLE SAFETY LIMIT SWITCHES (PLASTIC BODIED EN50047 TYPE) SND4 SERIES (SINGLE CONDUIT ENTRY)

SND4162



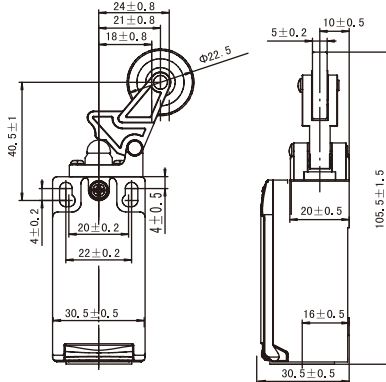
Order Code	Contact block			
SND4162-SP-__	SP		snap action	1NO+1NC
SND4162-SL-__	SL		slow action	1NO+1NC BBM
SND4162-SL1-__	SL1		slow action	1NO+1NC MBB
SND4162-SL2-__	SL2		slow action	2NC

SND4163



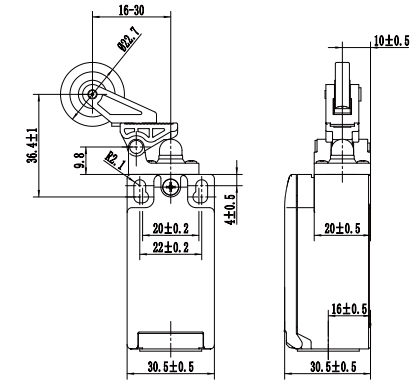
Order Code	Contact block			
SND4163-SP-__	SP		snap action	1NO+1NC
SND4163-SL-__	SL		slow action	1NO+1NC BBM
SND4163-SL1-__	SL1		slow action	1NO+1NC MBB
SND4163-SL2-__	SL2		slow action	2NC

SND4172



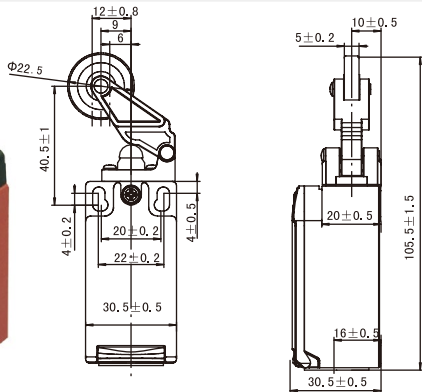
Order Code	Contact block			
SND4172-SP-__	SP		snap action	1NO+1NC
SND4172-SL-__	SL		slow action	1NO+1NC BBM
SND4172-SL1-__	SL1		slow action	1NO+1NC MBB
SND4172-SL2-__	SL2		slow action	2NC

SND4172-ADJ



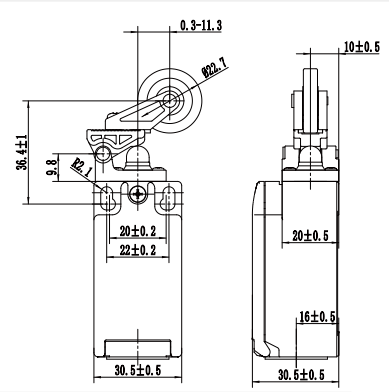
Order Code	Contact block			
SND4172-SP-__ADJ	SP		snap action	1NO+1NC
SND4172-SL-__ADJ	SL		slow action	1NO+1NC BBM
SND4172-SL1-__ADJ	SL1		slow action	1NO+1NC MBB
SND4172-SL2-__ADJ	SL2		slow action	2NC

SND4173



Order Code	Contact block			
SND4173-SP-__	SP		snap action	1NO+1NC
SND4173-SL-__	SL		slow action	1NO+1NC BBM
SND4173-SL1-__	SL1		slow action	1NO+1NC MBB
SND4173-SL2-__	SL2		slow action	2NC

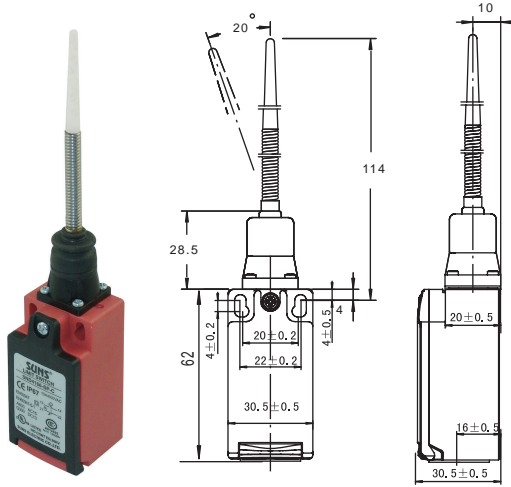
SND4173-ADJ



Order Code	Contact block			
SND4173-SP-__ADJ	SP		snap action	1NO+1NC
SND4173-SL-__ADJ	SL		slow action	1NO+1NC BBM
SND4173-SL1-__ADJ	SL1		slow action	1NO+1NC MBB
SND4173-SL2-__ADJ	SL2		slow action	2NC

GLOBAL STYLE SAFETY LIMIT SWITCHES (PLASTIC BODIED EN50047 TYPE) SND4 SERIES (SINGLE CONDUIT ENTRY)

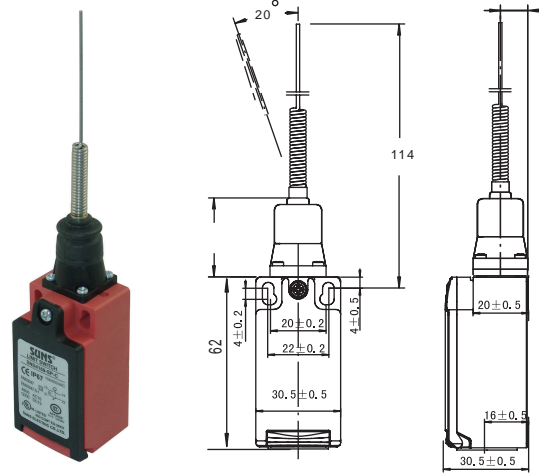
SND4166



Order Code

SND4166-SP- _ SP snap action 1NO+1NC

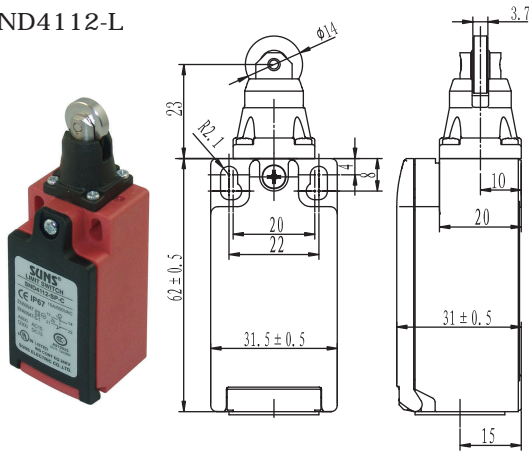
SND4169



Order Code

SND4169-SP- _ SP snap action 1NO+1NC

SND4112-L

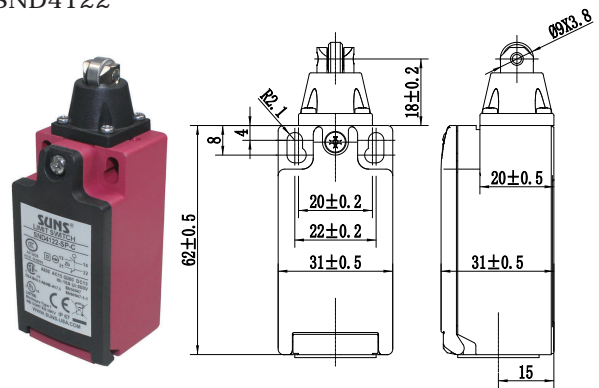


Order Code

Contact block

SND4112-SP- _L	SP	⊕	snap action	1NO+1NC
SND4112-SL- _L	SL	⊕	slow action	1NO+1NC BBM
SND4112-SL1- _L	SL1	⊕	slow action	1NO+1NC MBB
SND4112-SL2- _L	SL2	⊕	slow action	2NC

SND4122



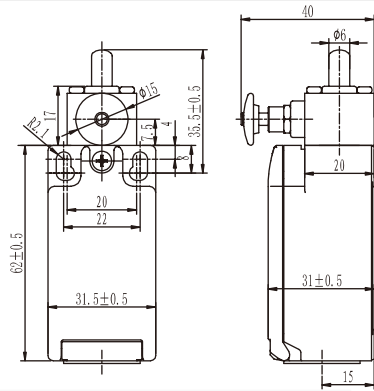
Order Code

Contact block

SND4122-SP	SP	⊕	snap action	1NO+1NC
SND4122-SL	SL	⊕	slow action	1NO+1NC BBM
SND4122-SL1	SL1	⊕	slow action	1NO+1NC MBB
SND4122-SL2	SL2	⊕	slow action	2NC

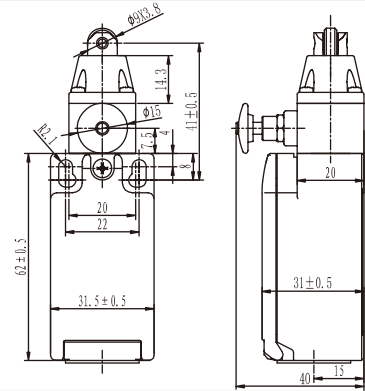
GLOBAL STYLE SAFETY LIMIT SWITCHES (PLASTIC BODIED EN50047 TYPE) SND4 SERIES (SINGLE CONDUIT ENTRY WITH RESET)

SND4111-R



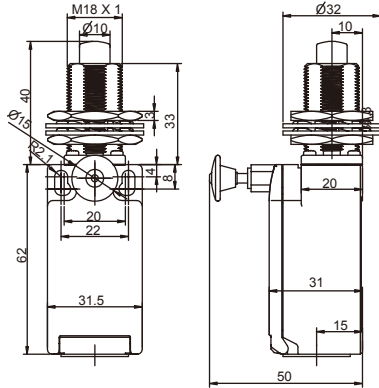
Order Code	Contact block		
SND4111-SP-_R	SP	↻	snap action 1NO+1NC
SND4111-SL-_R	SL	↻	slow action 1NO+1NC BBM
SND4111-SL1-_R	SL1	↻	slow action 1NO+1NC MBB
SND4111-SL2-_R	SL2	↻	slow action 2NC

SND4112-R



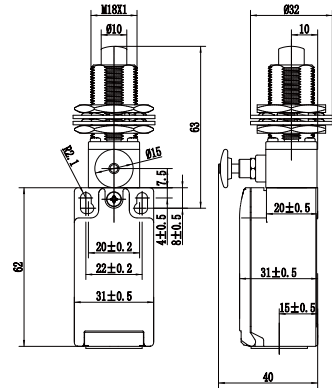
Order Code	Contact block		
SND4112-SP-_R	SP	↻	snap action 1NO+1NC
SND4112-SL-_R	SL	↻	slow action 1NO+1NC BBM
SND4112-SL1-_R	SL1	↻	slow action 1NO+1NC MBB
SND4112-SL2-_R	SL2	↻	slow action 2NC

SND4131-R



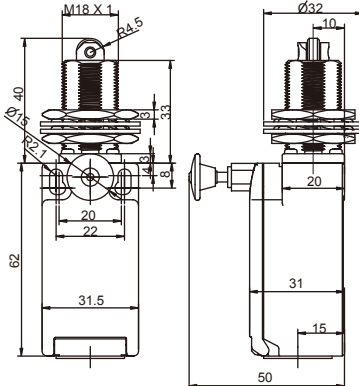
Order Code	Contact block		
SND4131-SP-_R	SP	↻	snap action 1NO+1NC
SND4131-SL-_R	SL	↻	slow action 1NO+1NC BBM
SND4131-SL1-_R	SL1	↻	slow action 1NO+1NC MBB
SND4131-SL2-_R	SL2	↻	slow action 2NC

SND4131-R-P



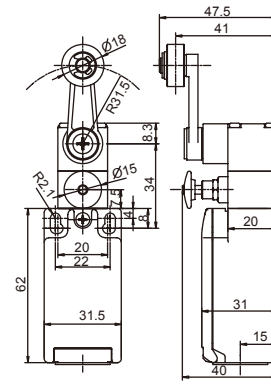
Order Code	Contact block		
SND4131-SP-_R-P	SP	↻	snap action 1NO+1NC
SND4131-SL-_R-P	SL	↻	slow action 1NO+1NC BBM
SND4131-SL1-_R-P	SL1	↻	slow action 1NO+1NC MBB
SND4131-SL2-_R-P	SL2	↻	slow action 2NC

SND4132-R



Order Code	Contact block		
SND4132-SP-_R	SP	↻	snap action 1NO+1NC
SND4132-SL-_R	SL	↻	slow action 1NO+1NC BBM
SND4132-SL1-_R	SL1	↻	slow action 1NO+1NC MBB
SND4132-SL2-_R	SL2	↻	slow action 2NC

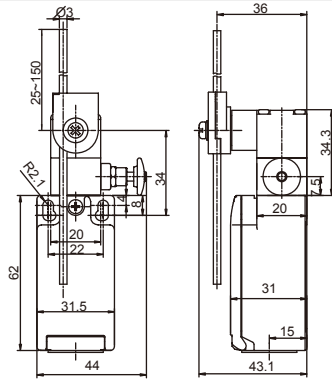
SND4104-R



Order Code	Contact block		
SND4104-SP-_R	SP	↻	snap action 1NO+1NC
SND4104-SL-_R	SL	↻	slow action 1NO+1NC BBM
SND4104-SL1-_R	SL1	↻	slow action 1NO+1NC MBB
SND4104-SL2-_R	SL2	↻	slow action 2NC

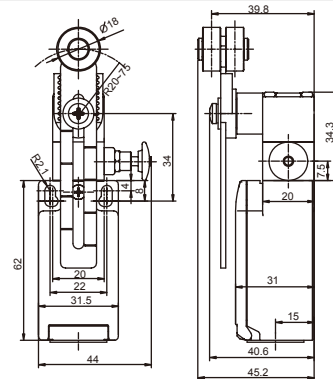
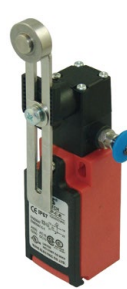
GLOBAL STYLE SAFETY LIMIT SWITCHES (PLASTIC BODIED EN50047 TYPE) SND4 SERIES (SINGLE CONDUIT ENTRY WITH RESET)

SND4107-R



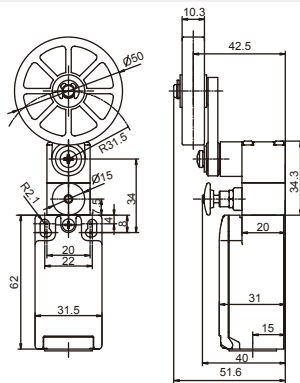
Order Code	Contact block
SND4107-SP- _R	SP snap action 1NO+1NC
SND4107-SL- _R	SL slow action 1NO+1NC BBM
SND4107-SL1- _R	SL1 slow action 1NO+1NC MBB
SND4107-SL2- _R	SL2 slow action 2NC

SND4108-R



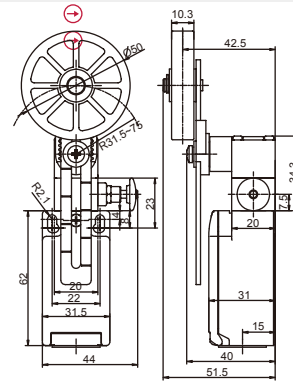
Order Code	Contact block
SND4108-SP- _R	SP snap action 1NO+1NC
SND4108-SL- _R	SL slow action 1NO+1NC BBM
SND4108-SL1- _R	SL1 slow action 1NO+1NC MBB
SND4108-SL2- _R	SL2 slow action 2NC

SND4114-R



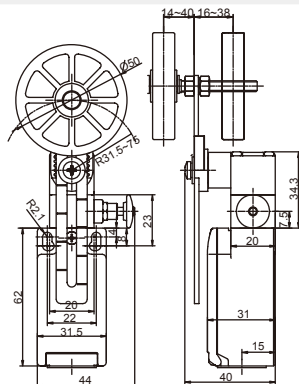
Order Code	Contact block
SND4114-SP- _R	SP snap action 1NO+1NC
SND4114-SL- _R	SL slow action 1NO+1NC BBM
SND4114-SL1- _R	SL1 slow action 1NO+1NC MBB
SND4114-SL2- _R	SL2 slow action 2NC

SND4118-R



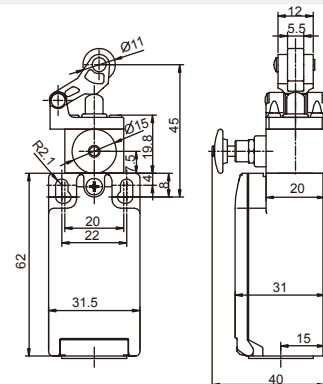
Order Code	Contact block
SND4118-SP- _R	SP snap action 1NO+1NC
SND4118-SL- _R	SL slow action 1NO+1NC BBM
SND4118-SL1- _R	SL1 slow action 1NO+1NC MBB
SND4118-SL2- _R	SL2 slow action 2NC

SND4118-R-ADJ



Order Code	Contact block
SND4118-SP- R-ADJ	SP snap action 1NO+1NC
SND4118-SL-R-ADJ	SL slow action 1NO+1NC BBM
SND4118-SL1-R-ADJ	SL1 slow action 1NO+1NC MBB
SND4118-SL2-R-ADJ	SL2 slow action 2NC

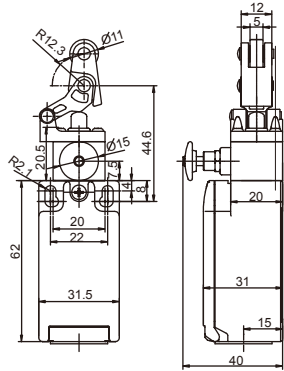
SND4162-R



Order Code	Contact block
SND4162-SP- _R	SP snap action 1NO+1NC
SND4162-SL- _R	SL slow action 1NO+1NC BBM
SND4162-SL1- _R	SL1 slow action 1NO+1NC MBB
SND4162-SL2- _R	SL2 slow action 2NC

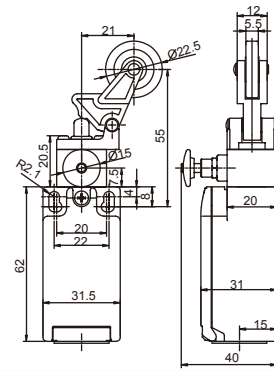
GLOBAL STYLE SAFETY LIMIT SWITCHES (PLASTIC BODIED EN50047 TYPE) SND4 SERIES (SINGLE CONDUIT ENTRY WITH RESET)

SND4163-R



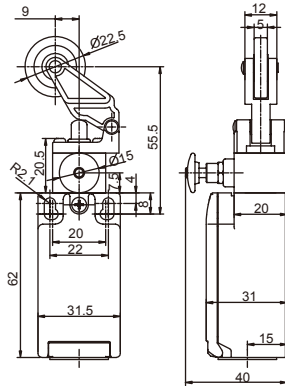
Order Code	Contact block			
SND4163-SP- _R	SP	↻	snap action	1NO+1NC
SND4163-SL- _R	SL	↻	slow action	1NO+1NC BBM
SND4163-SL1- _R	SL1	↻	slow action	1NO+1NC MBB
SND4163-SL2- _R	SL2	↻	slow action	2NC

SND4172-R



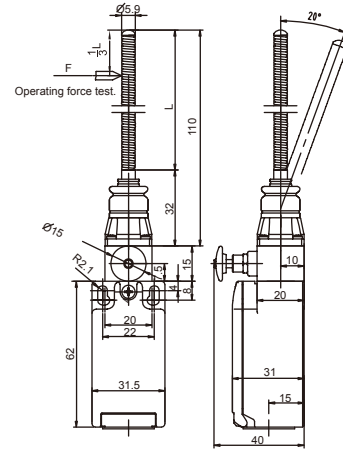
Order Code	Contact block			
SND4172-SP- _R	SP	↻	snap action	1NO+1NC
SND4172-SL- _R	SL	↻	slow action	1NO+1NC BBM
SND4172-SL1- _R	SL1	↻	slow action	1NO+1NC MBB
SND4172-SL2- _R	SL2	↻	slow action	2NC

SND4173-R



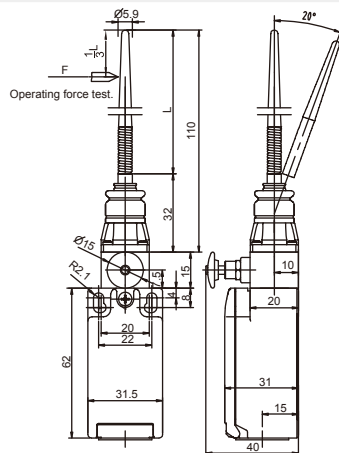
Order Code	Contact block			
SND4173-SP- _R	SP	↻	snap action	1NO+1NC
SND4173-SL- _R	SL	↻	slow action	1NO+1NC BBM
SND4173-SL1- _R	SL1	↻	slow action	1NO+1NC MBB
SND4173-SL2- _R	SL2	↻	slow action	2NC

SND4100-R



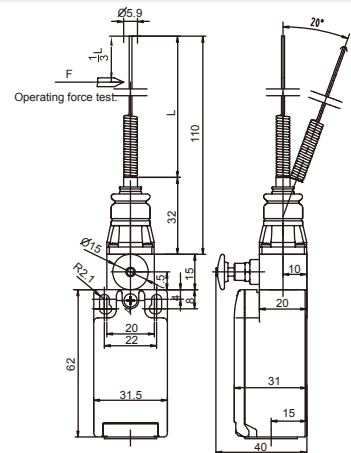
Order Code				
SND4100-SP- _R	SP		snap action	1NO+1NC

SND4166-R



Order Code				
SND4166-SP- _R	SP		snap action	1NO+1NC

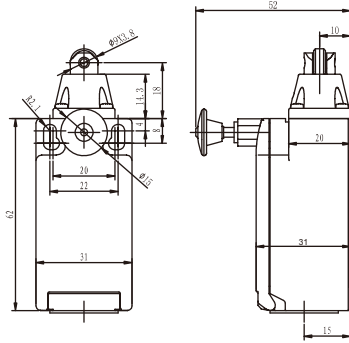
SND4169-R



Order Code				
SND4169-SP- _R	SP		snap action	1NO+1NC

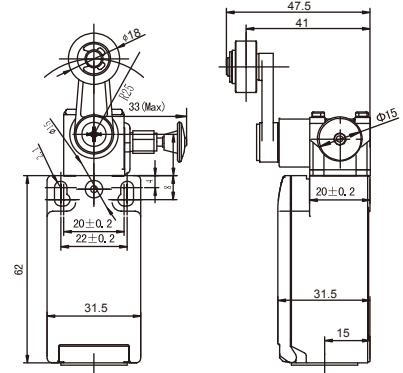
GLOBAL STYLE SAFETY LIMIT SWITCHES (PLASTIC BODIED EN50047 TYPE) SND4 SERIES (SINGLE CONDUIT ENTRY WITH RESET)

SND4112-SR



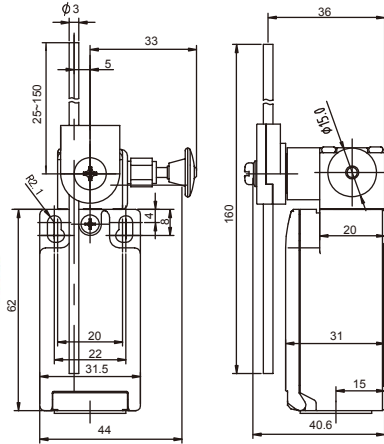
Order Code	Contact block		
SND4112-SP-SR	SP	→	snap action 1NO+1NC
SND4112-SL-SR	SL	→	slow action 1NO+1NC BBM
SND4112-SL1-SR	SL1	→	slow action 1NO+1NC MBB
SND4112-SL2-SR	SL2	→	slow action 2NC

SND4104-SR



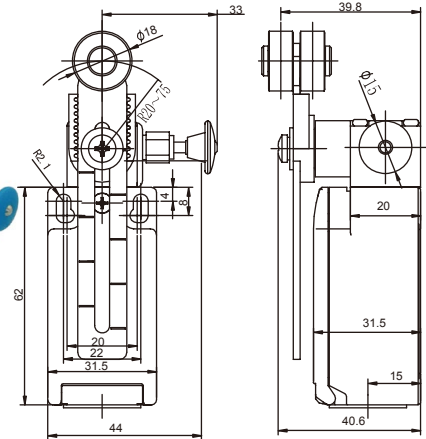
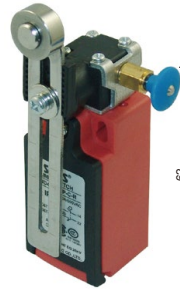
Order Code	Contact block		
SND4104-SP-_SR	SP	→	snap action 1NO+1NC
SND4104-SL-_SR	SL	→	slow action 1NO+1NC BBM
SND4104-SL1-_SR	SL1	→	slow action 1NO+1NC MBB
SND4104-SL2-_SR	SL2	→	slow action 2NC

SND4107-SR



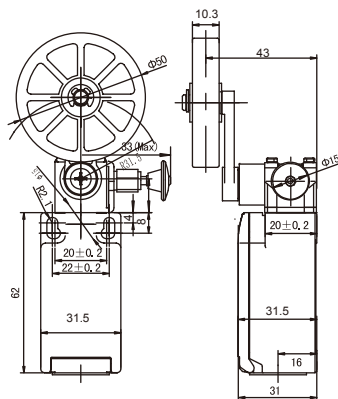
Order Code	Contact block		
SND4107-SP-_SR	SP	→	snap action 1NO+1NC
SND4107-SL-_SR	SL	→	slow action 1NO+1NC BBM
SND4107-SL1-_SR	SL1	→	slow action 1NO+1NC MBB
SND4107-SL2-_SR	SL2	→	slow action 2NC

SND4108-SR



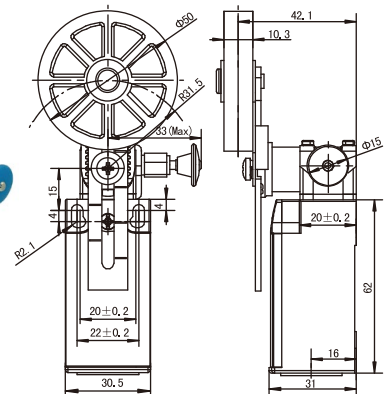
Order Code	Contact block		
SND4108-SP-_SR	SP	→	snap action 1NO+1NC
SND4108-SL-_SR	SL	→	slow action 1NO+1NC BBM
SND4108-SL1-_SR	SL1	→	slow action 1NO+1NC MBB
SND4108-SL2-_SR	SL2	→	slow action 2NC

SND4114-SR



Order Code	Contact block		
SND4114-SP-_SR	SP	→	snap action 1NO+1NC
SND4114-SL-_SR	SL	→	slow action 1NO+1NC BBM
SND4114-SL1-_SR	SL1	→	slow action 1NO+1NC MBB
SND4114-SL2-_SR	SL2	→	slow action 2NC

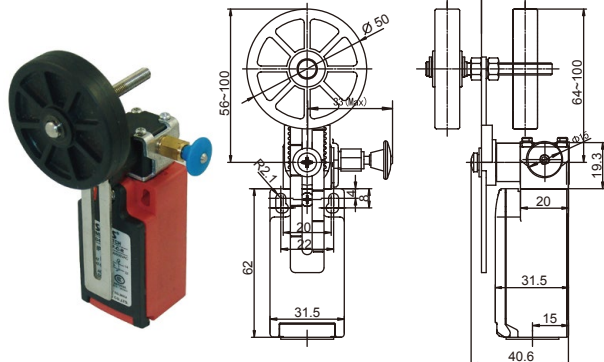
SND4118-SR



Order Code	Contact block		
SND4118-SP-_SR	SP	→	snap action 1NO+1NC
SND4118-SL-_SR	SL	→	slow action 1NO+1NC BBM
SND4118-SL1-_SR	SL1	→	slow action 1NO+1NC MBB
SND4118-SL2-_SR	SL2	→	slow action 2NC

GLOBAL STYLE SAFETY LIMIT SWITCHES (PLASTIC BODIED EN50047 TYPE) SND4 SERIES (SINGLE CONDUIT ENTRY WITH RESET)

SND4118-SR-ADJ



Order Code

SND4118-SP- SR-ADJ
SND4118-SL-SR-ADJ
SND4118-SL1-SR-ADJ
SND4118-SL2-SR-ADJ

Contact block

SP	→	snap action	1NO+1NC
SL	→	slow action	1NO+1NC BBM
SL1	→	slow action	1NO+1NC MBB
SL2	→	slow action	2NC