

GLOBAL STYLE SAFETY LIMIT SWITCHES (MINI PLASTIC BODIED EN50047 TYPE) SMN4 SERIES (SINGLE CONDUIT ENTRY)

SUNS products are safe and reliable products which are widely used in various mechanical devices.



Features

- Glass fiber reinforced plastic body
- Easily interchangeable contact block
- Galvanically separated contacts
- Screw terminals with self-lifting clamps for easy wiring
- Positive Opening of NC contacts
- 4 x 90° actuator positions
- Cable entry available: M20, PG13.5 and 1/2"NPT
- Conform to EN 50047 standard

Definitions of Operating Characteristics

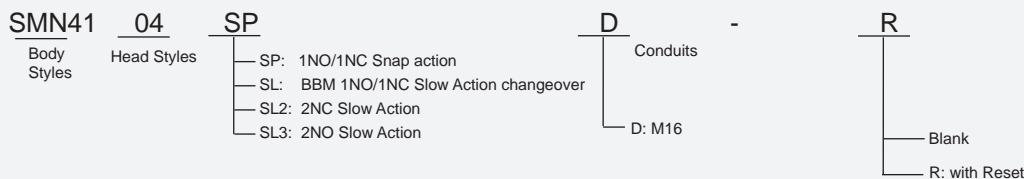
- OF Operating Force
- RF Releasing Force
- OT Overtravel
- TT Total Travel
- PT Pretravel
- MD Movement Differential
- OP Operating Position
- PO Travel to Positive Opening



Specifications

Operating Speed	0.05mm-2m/sec
Operating Frequency	Mechanical: 120ops/min Electrical: 30 ops/min
Insulation Resistance	>100MΩ@500V DC
Contact Resistance	<25mΩ (initial value)
Rated Thermal Current	10A/600V AC (EN60947-5-1) AC15 A600 / DC13 Q300
Dielectric Strength	1000VAC for 1 min between current carrying parts 2500VAC for 1 min between non-current carrying parts
Service Life	Mechanically 1.0 x10 ⁷ (operations) Electrically 5 x10 ⁵ (operations)
Operating Temperature	-25~+80°C (-13~176°F) with no icing
Humidity	< 95%RH
Weight	40-90g
Degree of Protection	IP66

Selection Guide:



GLOBAL STYLE SAFETY LIMIT SWITCHES (MINI PLASTIC BODIED EN50047 TYPE) SMN4 SERIES (SINGLE CONDUIT ENTRY)

Available contact blocks and travel diagrams



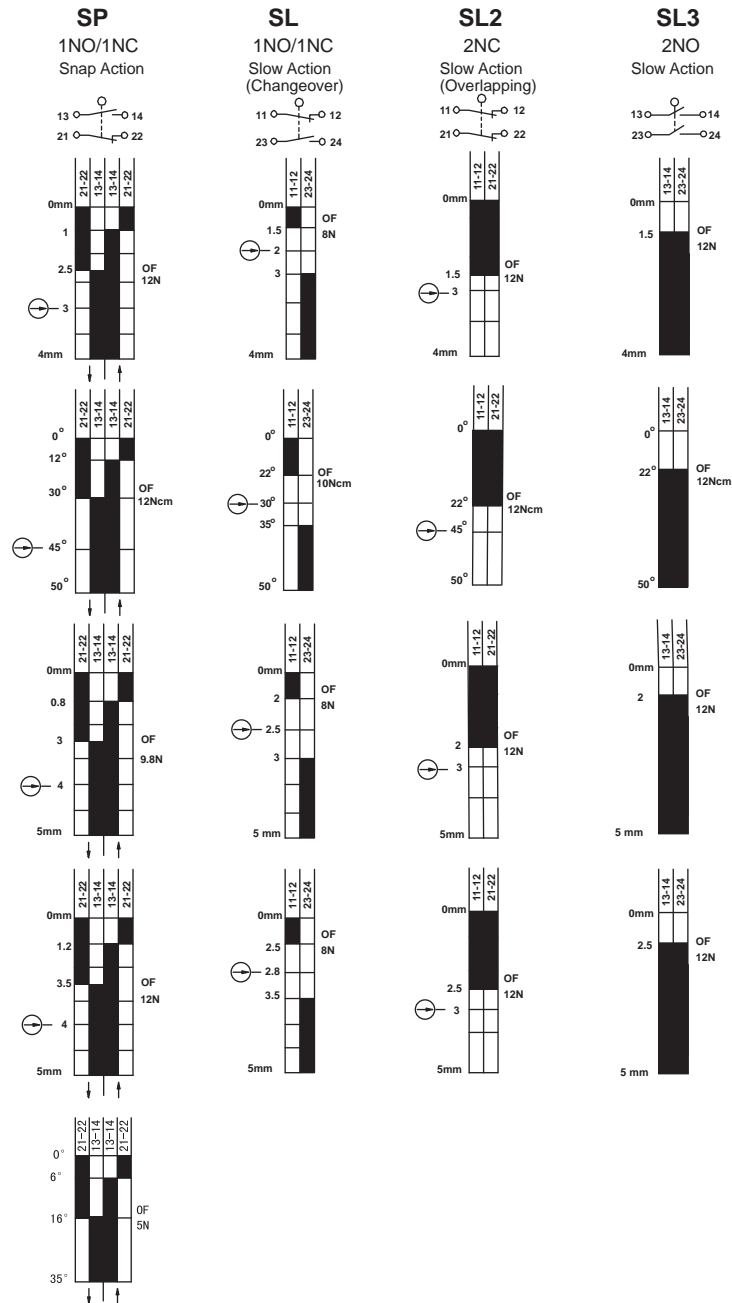
Plunger type
11,12,31,32 Styles

Side rotary type
04, 07, 08, 14, 18 Styles

62, 63 Styles

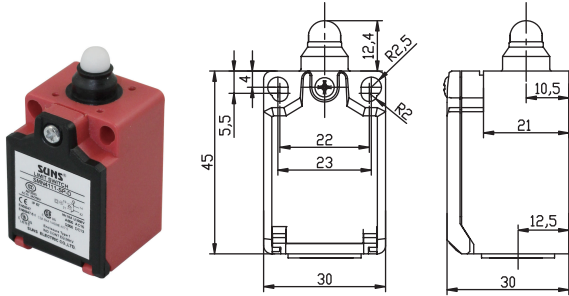
72, 73 Styles

00, 66,69 Styles



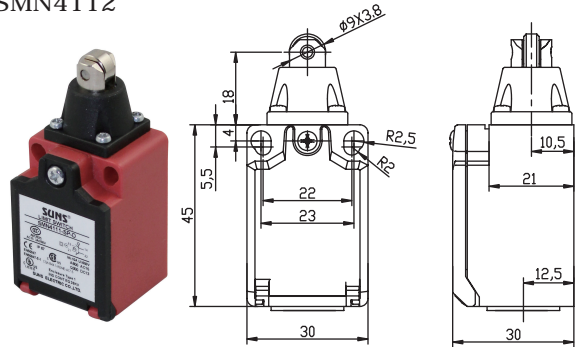
GLOBAL STYLE SAFETY LIMIT SWITCHES (MINI PLASTIC BODIED EN50047 TYPE) SMN4 SERIES (SINGLE CONDUIT ENTRY)

SMN4111



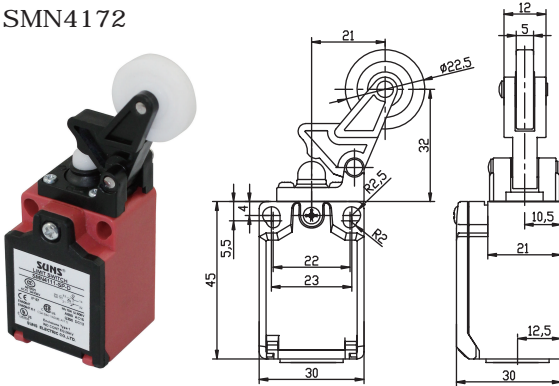
Order Code	Contact block			
SMN4111-SP- _	SP	↻	snap action	1NO+1NC
SMN4111-SL- _	SL	↻	slow action	1NO+1NC BBM
SMN4111-SL2- _	SL2	↻	slow action	2NC
SMN4111-SL3- _	SL3		slow action	2NO

SMN4112



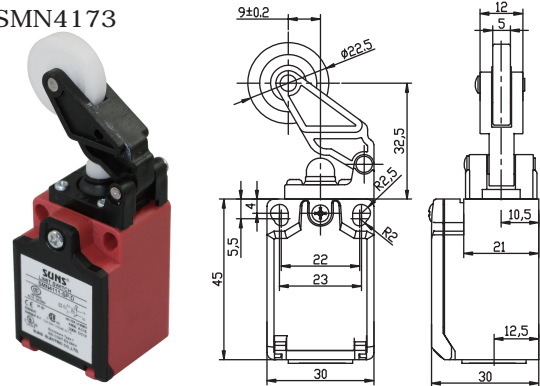
Order Code	Contact block			
SMN4112-SP- _	SP	↻	snap action	1NO+1NC
SMN4112-SL- _	SL	↻	slow action	1NO+1NC BBM
SMN4112-SL2- _	SL2	↻	slow action	2NC
SMN4112-SL3- _	SL3		slow action	2NO

SMN4172



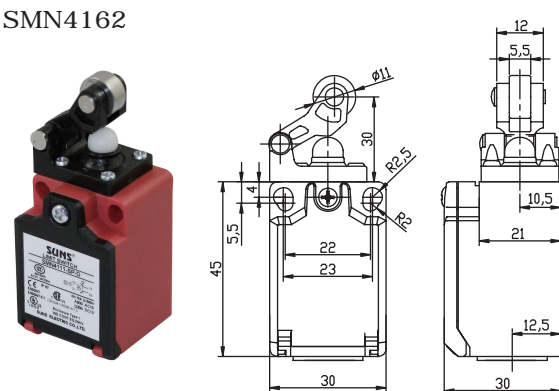
Order Code	Contact block			
SMN4172-SP- _	SP	↻	snap action	1NO+1NC
SMN4172-SL- _	SL	↻	slow action	1NO+1NC BBM
SMN4172-SL2- _	SL2	↻	slow action	2NC
SMN4172-SL3- _	SL3		slow action	2NO

SMN4173



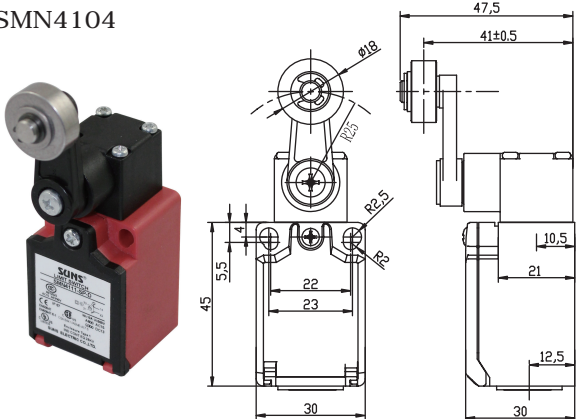
Order Code	Contact block			
SMN4173-SP- _	SP	↻	snap action	1NO+1NC
SMN4173-SL- _	SL	↻	slow action	1NO+1NC BBM
SMN4173-SL2- _	SL2	↻	slow action	2NC
SMN4173-SL3- _	SL3		slow action	2NO

SMN4162



Order Code	Contact block			
SMN4162-SP- _	SP	↻	snap action	1NO+1NC
SMN4162-SL- _	SL	↻	slow action	1NO+1NC BBM
SMN4162-SL2- _	SL2	↻	slow action	2NC
SMN4162-SL3- _	SL3		slow action	2NO

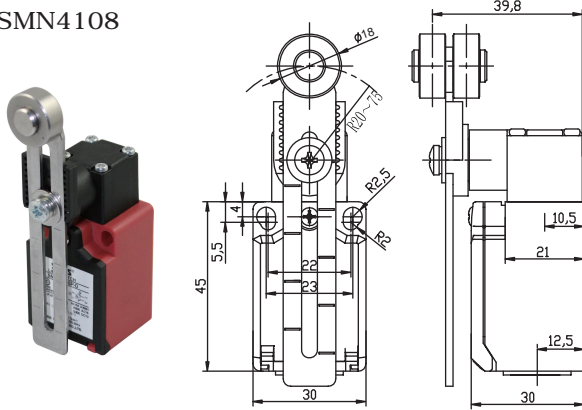
SMN4104



Order Code	Contact block			
SMN4104-SP- _	SP	↻	snap action	1NO+1NC
SMN4104-SL- _	SL	↻	slow action	1NO+1NC BBM
SMN4104-SL2- _	SL2	↻	slow action	2NC
SMN4104-SL3- _	SL3		slow action	2NO

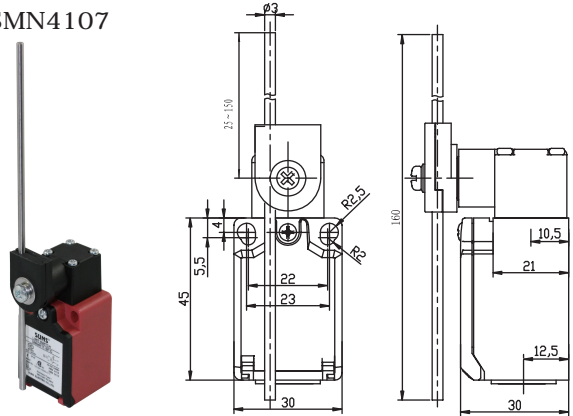
GLOBAL STYLE SAFETY LIMIT SWITCHES (MINI PLASTIC BODIED EN50047 TYPE) SMN4 SERIES (SINGLE CONDUIT ENTRY)

SMN4108



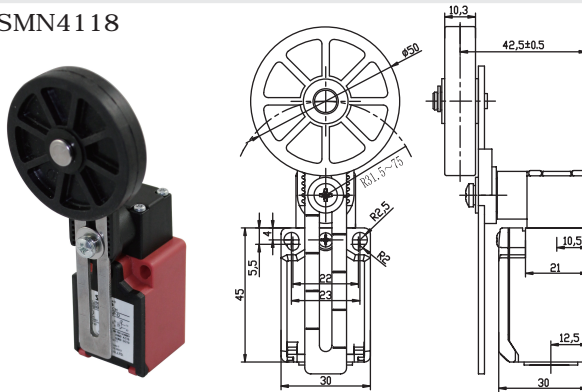
Order Code	Contact block	SP	SL	SL2	SL3	Function	Configuration
SMN4108-SP- _	SP	⊕				snap action	1NO+1NC
SMN4108-SL- _	SL	⊕				slow action	1NO+1NC BBM
SMN4108-SL2- _	SL2	⊕				slow action	2NC
SMN4108-SL3- _	SL3					slow action	2NO

SMN4107



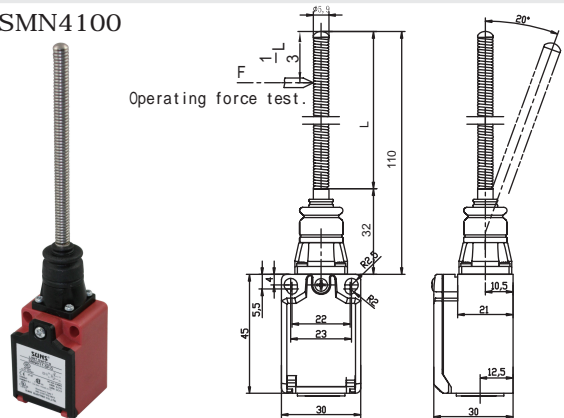
Order Code	Contact block	SP	SL	SL2	SL3	Function	Configuration
SMN4107-SP- _	SP	⊕				snap action	1NO+1NC
SMN4107-SL- _	SL	⊕				slow action	1NO+1NC BBM
SMN4107-SL2- _	SL2	⊕				slow action	2NC
SMN4107-SL3- _	SL3					slow action	2NO

SMN4118



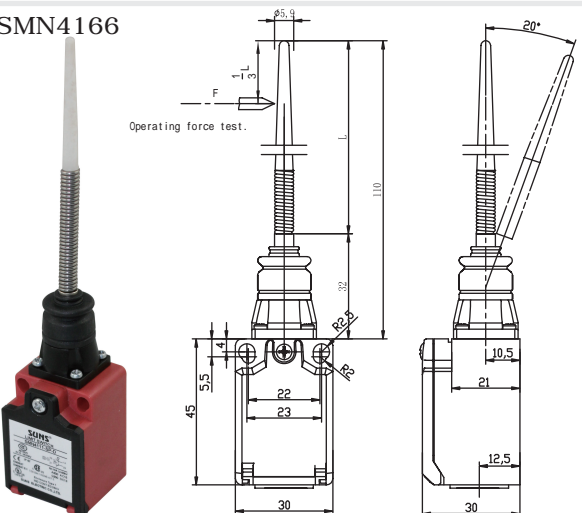
Order Code	Contact block	SP	SL	SL2	SL3	Function	Configuration
SMN4118-SP- _	SP	⊕				snap action	1NO+1NC
SMN4118-SL- _	SL	⊕				slow action	1NO+1NC BBM
SMN4118-SL2- _	SL2	⊕				slow action	2NC
SMN4118-SL3- _	SL3					slow action	2NO

SMN4100



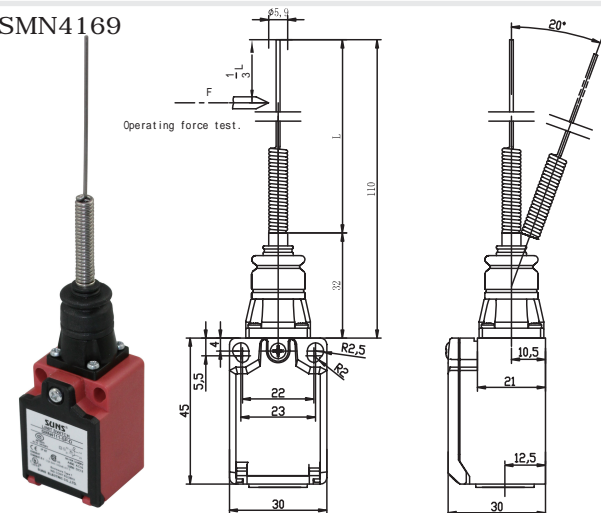
Order Code	Contact block	SP	Function	Configuration
SMN4100-SP- _	SP		snap action	1NO+1NC

SMN4166



Order Code	Contact block	SP	Function	Configuration
SMN4166-SP- _	SP		snap action	1NO+1NC

SMN4169



Order Code	Contact block	SP	Function	Configuration
SMN4169-SP- _	SP		snap action	1NO+1NC