

GENERAL-PURPOSE MICRO SWITCHES Z-20,Z-25 SERIES

Specifications

Operating Speed	0.01mm-1m/sec
Operating Frequency	Mechanical: 240ops/min Electrical: 20 ops/min
Insulation Resistance	>100MΩ@500V DC
Contact Resistance	<15mΩ
Rated Current/Voltage	15A, 125/250/480VAC; 3/4HP/125VAC 1.5HP/250VAC (UL file E321073)
Dielectric Strength	1000VAC for 1 min between current carrying parts 2500VAC for 1 min between non-current carrying parts
Service Life	Mechanically 1.0 x 10 ⁷ (operations) Electrically 5 x 10 ⁵ (operations)
Operating Temperature	-25~+80°C (-13~176°F)
Humidity	< 95%RH
Degree of Protection	IP00/IP63

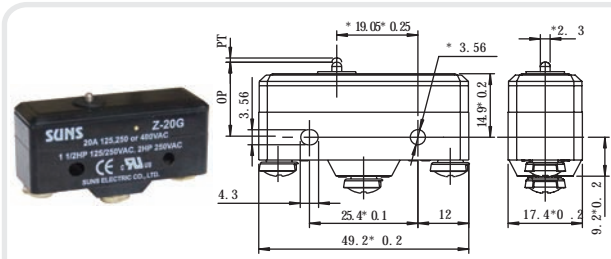
Definitions of Operating Characteristics

OF	Operating Force	PT	Pretravel
RF	Releasing Force	MD	Movement Differential
OT	Overtravel	OP	Operating Position
TT	Total Travel	PO	Travel to Positive Opening

Rated indicators

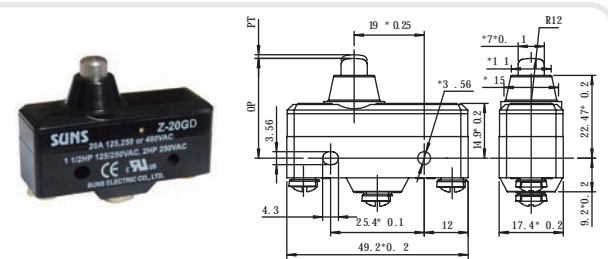
Operating voltage	Non-inductive load (A)				Inductive load (A)			
	Resistive load		Bulb load		Inductive load		Motor load	
	NC	NO	NC	NO	NC	NO	NC	NO
125 VAC	20(25)	20(25)	7.5	7.5	20(25)	20(25)	12.5	12.5
250 VAC	20(25)	20(25)	7.5	7.5	20(25)	20(25)	8.3	8.3
500 VAC	15	15	4	4	10	10	2	2
8 VDC	20(25)	20(25)	3	1.5	20(25)	20(25)	12.5	12.5
14 VDC	20(25)	20(25)	3	1.5	15	15	12.5	12.5
30 VDC	6	6	3	1.5	5	5	5	5
125 VDC	0.5	0.5	0.5	0.5	0.05	0.05	0.05	0.05
250 VDC	0.25	0.25	0.25	0.25	0.03	0.03	0.03	0.03
Inrush current	NC: 75A max. NO: 75A max				NC: 75A approx. NO: 75A max			

Dimensions Unit: mm



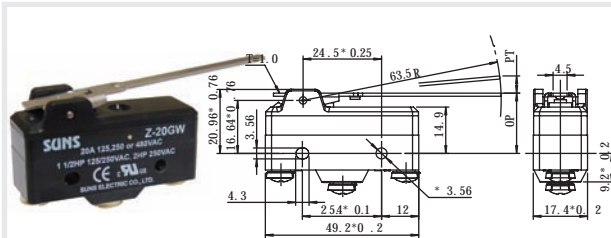
Z-20G & Z-25G Operating Characteristics

● OF	3.89*6.11N	● OT(Mn)	0.25mm
● RF(Mn)	2.78N	● MD	0.05*0.2mm
● PT(Max)	1.3mm	● OP	16.27*0.4m



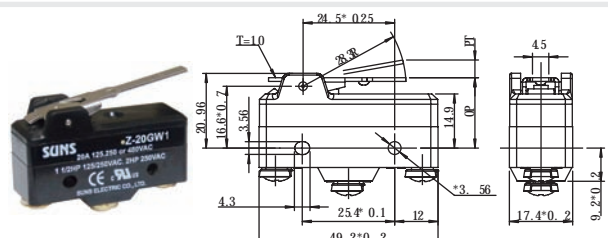
Z-20GD & Z-25GD Operating Characteristics

● OF	3.89*6.11N	● OT(Mn)	3.0mm
● RF(Mn)	2.78N	● MD	0.05*0.2mm
● PT(Max)	1.3mm	● OP	26.2*0.5m



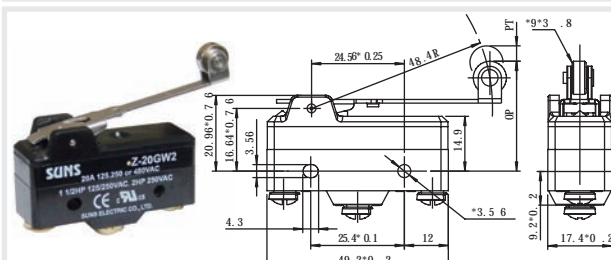
Z-20GW & Z-25GW Operating Characteristics

● OF(Max)	0.7N	● OT(Mn)	1.98mm
● RF(Mn)	0.14N	● MD(Max)	2.77mm
● PT(Max)	15.9mm	● OP	19.1*0.8mm



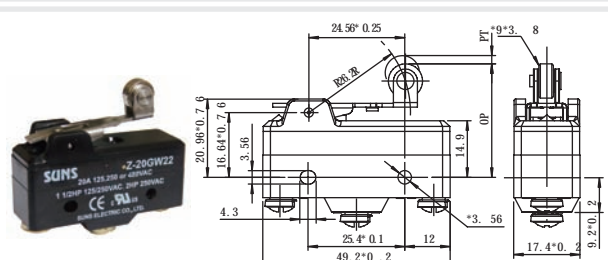
Z-20GW1 & Z-25GW1 Operating Characteristics

● OF(Max)	1.6N	● OT(Mn)	1.2mm
● RF(Mn)	0.4N	● MD(Max)	1.2mm
● PT(Max)	6.5mm	● OP	19.1*0.8mm



Z-20GW2 & Z-25GW2 Operating Characteristics

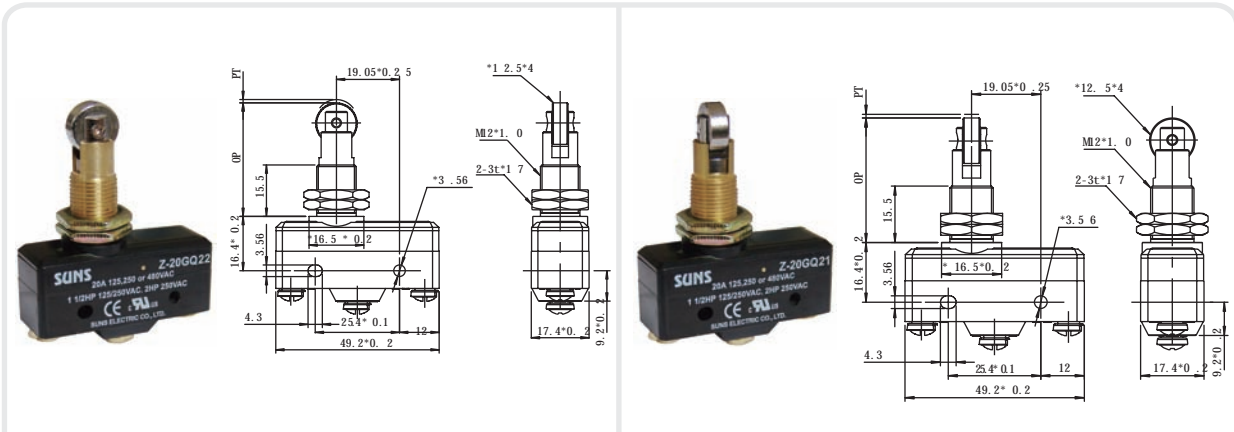
● OF(Max)	0.97N	● OT(Mn)	1.52mm
● RF(Mn)	0.14N	● MD(Max)	2.16mm
● PT(Max)	11.9mm	● OP	30.2*0.8mm



Z-20GW22 & Z-25GW22 Operating Characteristics

● OF(Max)	1.67N	● OT(Mn)	0.76mm
● RF(Mn)	0.42N	● MD(Max)	1.14mm
● PT(Max)	6.35mm	● OP	30.2*0.8mm

GENERAL-PURPOSE MICRO SWITCHES Z-20,Z-25 SERIES



Z-20GQ22 & Z-25GQ22

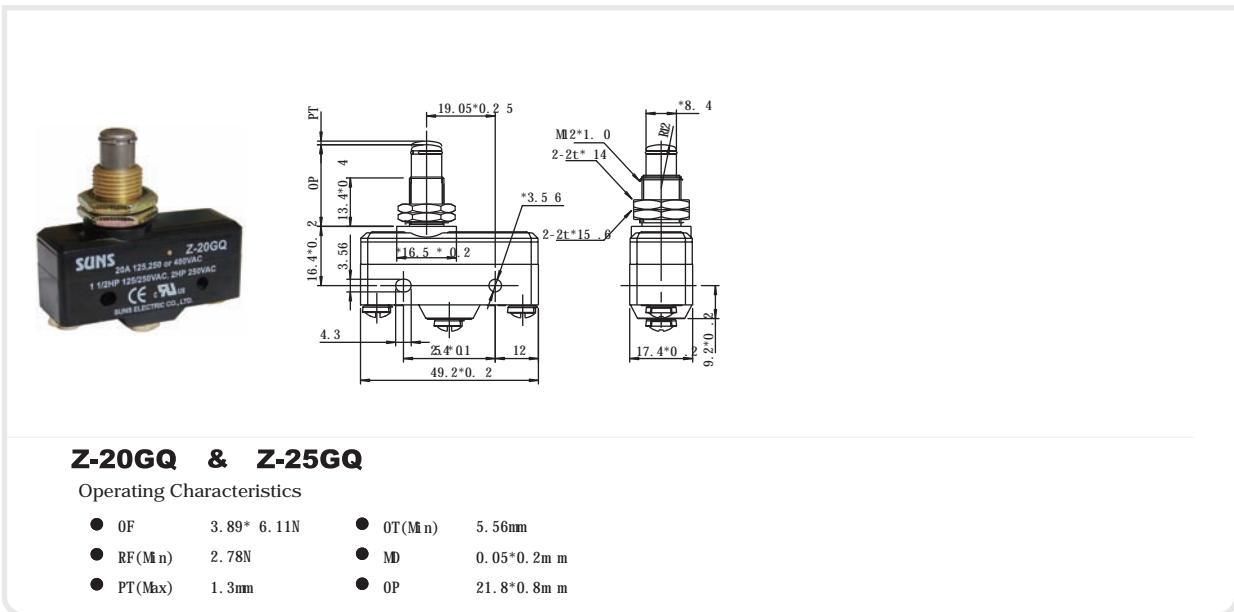
Operating Characteristics

● OF	3.89* 6.11N	● OT(Min)	3.58mm
● RF(Min)	2.78N	● MD	0.05*0.2m m
● PT(Max)	1.3mm	● OP	33.4*1.2m m

Z-20GQ21 & Z-25GQ21

Operating Characteristics

● OF	3.89* 6.11N	● OT(Min)	3.58mm
● RF(Min)	2.78N	● MD	0.05*0.2m m
● PT(Max)	1.3mm	● OP	33.4*1.2m m



Z-20GQ & Z-25GQ

Operating Characteristics

● OF	3.89* 6.11N	● OT(Min)	5.56mm
● RF(Min)	2.78N	● MD	0.05*0.2m m
● PT(Max)	1.3mm	● OP	21.8*0.8m m