

GENERAL-PURPOSE MICRO SWITCHES Z-15 SERIES

Specifications

Operating Speed	0.01mm-1m/sec
Operating Frequency	Mechanical: 240ops/min Electrical: 20 ops/min
Insulation Resistance	>100MΩ@500V DC
Contact Resistance	<15mΩ
Rated Current/Voltage	15A, 125/250/480VAC; 3/4HP/125VAC 1.5HP/250VAC (UL file E321073)
Dielectric Strength	1000VAC for 1 min between current carrying parts 2500VAC for 1 min between non-current carrying parts
Service Life	Mechanically 1.0 x10 ⁷ (operations) Electrically 5 x10 ² (operations)
Operating Temperature	-25~+80°C (-13~176°F)
Humidity	< 95%RH
Degree of Protection	IP00/IP63

Definitions of Operating Characteristics

OF	Operating Force	PT	Pretravel
RF	Releasing Force	MD	Movement Differential
OT	Overtravel	OP	Operating Position
TT	Total Travel	PO	Travel to Positive Opening

Rated indicators

Operating voltage	Non-inductive load (A)				Inductive load (A)				Inrush current	
	Resistive load		Bulb load		Inductive load		Motor load		NC	NO
	NC	NO	NC	NO	NC	NO	NC	NO		
125 VAC	15	-	3	1.5	15	-	5	2.5	30 Max	15 Max
250 VAC	15	-	2.5	1.25	15	-	3	1.5		
500 VAC	10	-	1.5	0.75	6	-	1.5	0.75		
8 VDC	15	-	3	1.5	15	-	5	2.5		
14 VDC	15	-	3	1.5	10	-	5	2.5		
30 VDC	6	-	3	1.5	5	-	5	2.5		
125 VDC	0.5	-	0.5	0.05	-	-	0.05	0.05		
250 VDC	0.25	-	0.25	0.25	0.03	-	0.03	0.03		

Dimensions Unit: mm

Z-15G

Operating Characteristics

- OF_{max} 3.43N
- RF_{min} 1.12N
- PT_{max} 0.4mm
- OT_{min} 0.13mm
- MD_{max} 0.05mm
- OP 15.9±0.4mm

Z-15GD

Operating Characteristics

- OF_{max} 3.43N
- RF_{min} 1.12N
- PT_{max} 0.4mm
- OT_{min} 1.6mm
- MD_{max} 0.05mm
- OP 21.5±0.5mm

Z-15GW

Operating Characteristics

- OF_{max} 0.69N
- RF_{min} 0.14N
- PT_{max} 10mm
- OT_{min} 5.6mm
- MD_{max} 2mm
- OP 19.1±0.7mm
- FP_{max} 28.2mm

Z-15GW1

Operating Characteristics

- OF_{max} 1.03N
- RF_{min} 0.21N
- PT_{max} 6.6mm
- OT_{min} 3.7mm
- MD_{max} 0.85mm
- OP 18.4±0.5mm
- FP_{max} 24.5mm

Z-15GL

Operating Characteristics

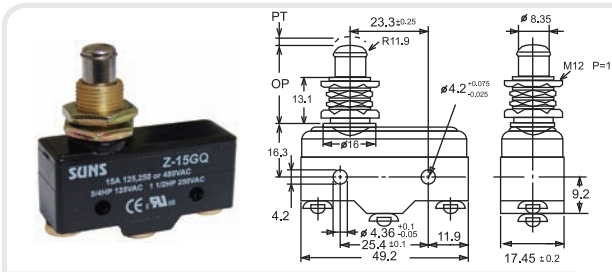
- OF_{max} 1.47N
- RF_{min} 0.14N
- PT_{max} 4mm
- OT_{min} 1.6mm
- MD_{max} 1.3mm
- OP 17.4±0.8mm
- FP 20.6mm

Z-15GL2

Operating Characteristics

- OF_{max} 1.47N
- RF_{min} 0.14N
- OT_{min} 1.6mm
- PT_{max} 4mm
- MD_{max} 1.3mm
- OP 28.6±0.8mm
- FP 31.8mm

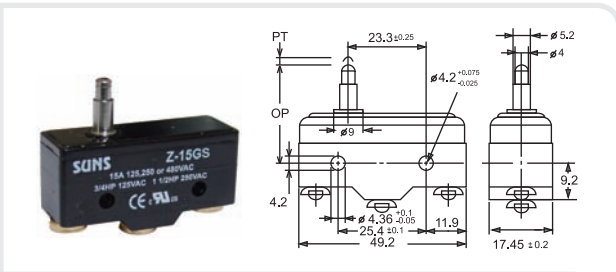
GENERAL-PURPOSE MICRO SWITCHES Z-15 SERIES



Z-15GQ

Operating Characteristics

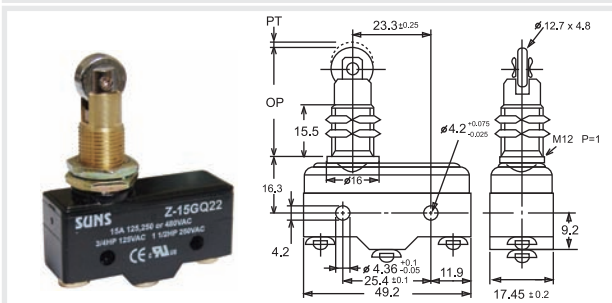
- OF_{max} 3.43N
- RF_{min} 1.12N
- PT_{max} 0.4mm
- OT_{min} 5.5mm
- MD_{max} 0.05mm
- OP 21.8±0.8mm



Z-15GS

Operating Characteristics

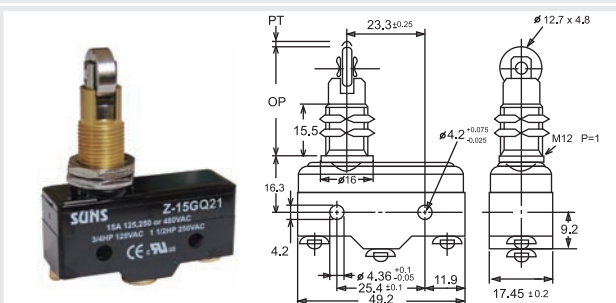
- OF_{max} 3.43N
- RF_{min} 1.12N
- PT_{max} 0.4mm
- OT_{min} 1.6mm
- MD_{max} 0.05mm
- OP 28.2±0.6mm



Z-15GQ22

Operating Characteristics

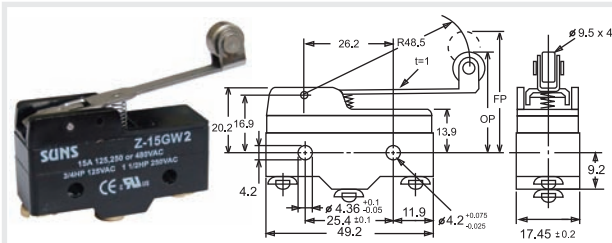
- OF_{max} 3.43N
- RF_{min} 1.12N
- PT_{max} 0.4mm
- OT_{min} 3.58mm
- MD_{max} 0.05mm
- OP 33.4±1.2mm



Z-15GQ21

Operating Characteristics

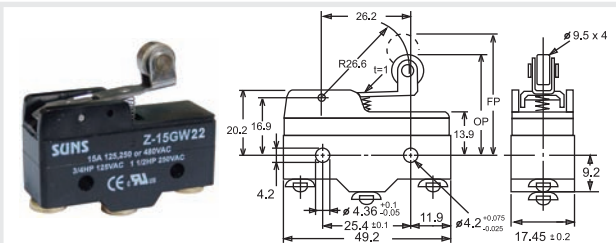
- OF_{max} 3.43N
- RF_{min} 1.12N
- PT_{max} 0.4mm
- OT_{min} 3.58mm
- MD_{max} 0.05mm
- OP 33.4±1.2mm



Z-15GW2

Operating Characteristics

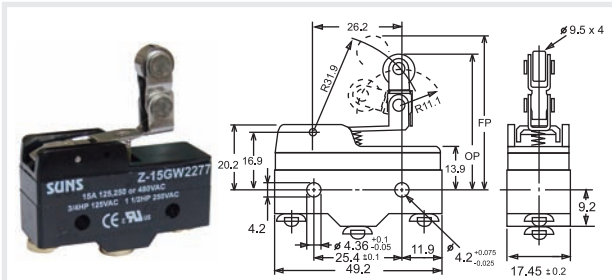
- OF_{max} 0.98N
- RF_{min} 0.21N
- PT_{max} 7.1mm
- OT_{min} 4mm
- MD_{max} 1.02mm
- FP_{max} 36.5mm
- OP 30.2±0.8mm



Z-15GW22

Operating Characteristics

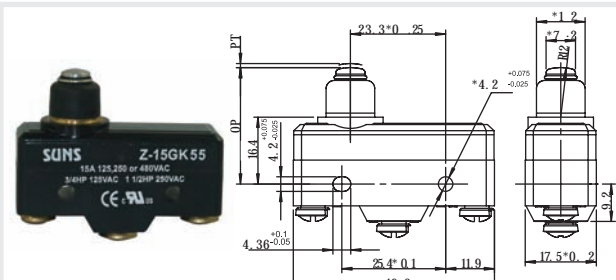
- OF_{max} 1.57N
- RF_{min} 0.41N
- PT_{max} 2.7mm
- OT_{min} 2.4
- MD_{max} 0.8mm
- FP_{max} 32.5mm
- OP 30.2±0.4mm



Z-15GW2277

Operating Characteristics

- OF_{max} 1.67N
- RF_{min} 0.41N
- PT_{max} 3mm
- OT_{min} 2.4mm
- MD_{max} 0.8mm
- FP_{max} 43.5mm
- OP 41.3±0.8mm

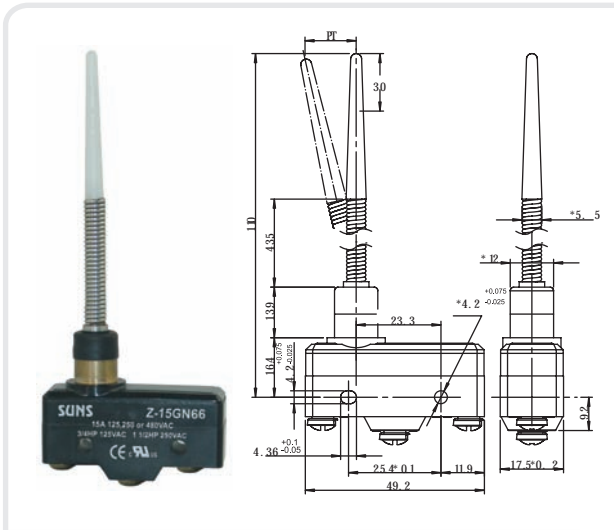


Z-15GK55

Operating Characteristics

- OF_{max} 5.3N
- RF_{min} 1.11N
- OT_{min} 1.6mm
- PT_{max} 2.3mm
- MD_{max} 0.06mm
- OP 32.2±0.5mm

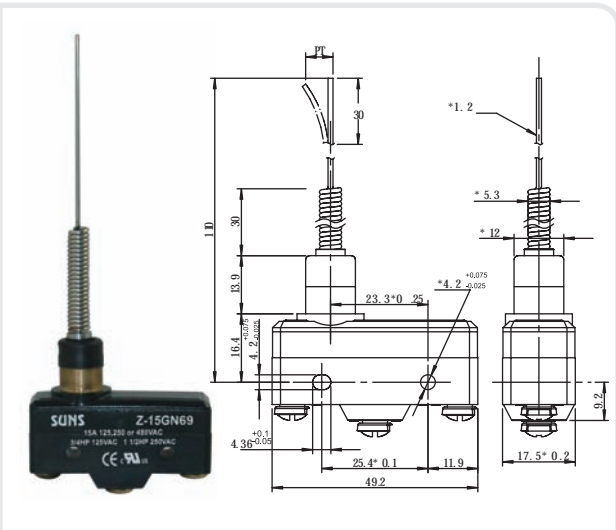
GENERAL-PURPOSE MICRO SWITCHES Z-15 SERIES



Z-15GN66

Operating Characteristics

- OF_{max} 0.7N
- PT_{max} 25mm



Z-15GN69

Operating Characteristics

- OF_{max} 0.7N
- PT_{max} 25mm



ZY-10G

Operating Characteristics

- OF_{max} 7.5N
- RF_{min} 1.11N
- PT_{max} 0.7mm
- OT_{min} 0.13mm
- MD_{max} 0.1mm
- OP 16.5 ± 0.7mm



ZC-1

Protective sleeve



ZC-2

Protective sleeve