

GENERAL-PURPOSE MICRO SWITCHES S14 SERIES

Features

- 5 current ratings
- Choice of actuator styles
- 3 terminal types (optional screw terminals available — consult factory)
- 3 contact arrangements
- Long-life coil spring mechanism
- High-temperature 150°C and 200°C available on select models (consult factory)

Specifications

Electrical

Electrical Rating:	20A, 125/250VAC; 1HP, 125VAC 2HP, 250VAC
Temperature Rating:	105°C Std. (150°C and 200°C optional)
Flammability Rating:	UL94-V0

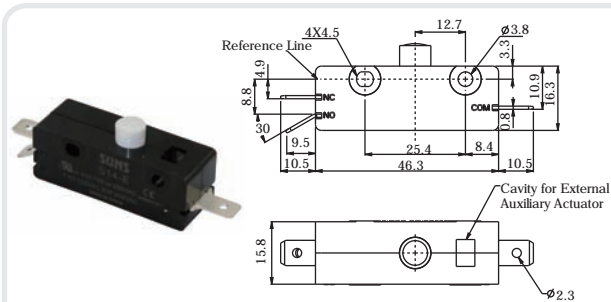
Materials

Case:	General Purpose Phenolic
Actuating Button:	Thermoplastic Nylon
Common Terminals:	Silver-Plated Brass
NO and NC Terminals:	Silver-Plated Brass
Moving Blade:	Silver-Plated Beryllium Copper
Spring:	Stainless Steel
Auxiliary Actuators:	Cold-Rolled Steel (Nickel-Plated)
Roller:	Sintered Stainless Steel
Contacts:	Silver-Cadmium Oxide

Definitions of Operating Characteristics

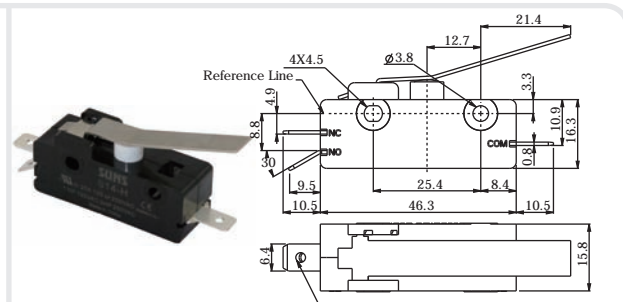
OF	Operating Force	PT	Pretravel
RF	Releasing Force	MD	Movement Differential
OT	Overtravel	OP	Operating Position
TT	Total Travel		

Dimensions Unit: mm



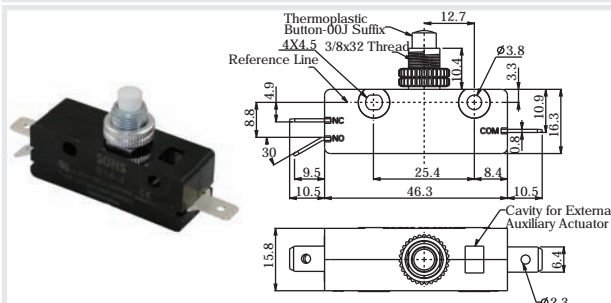
S-14E

Operating Characteristics	OT(Min): 1.27mm(0.050inch)
OF(Max): 850g	MD(Max): 0.38mm(0.015inch)
PT(Max): 2.54mm(0.100inch)	OP: 6.3±0.66mm(0.248± 0.026inch)



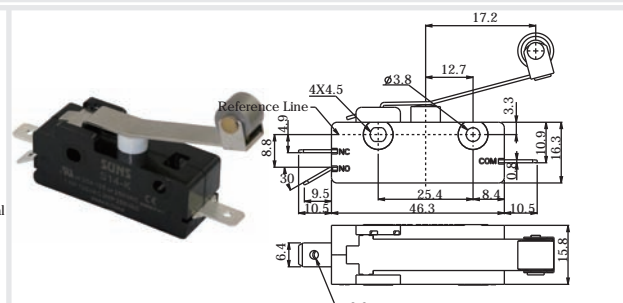
S-14H

Operating Characteristics	OT(Min): 3.81mm(0.150inch)
OF(Max): 285g	MD(Max): 1.27mm(0.050inch)
PT(Max): 7.93mm(0.312inch)	OP: 11.89±1.57mm(0.468± 0.062inch)



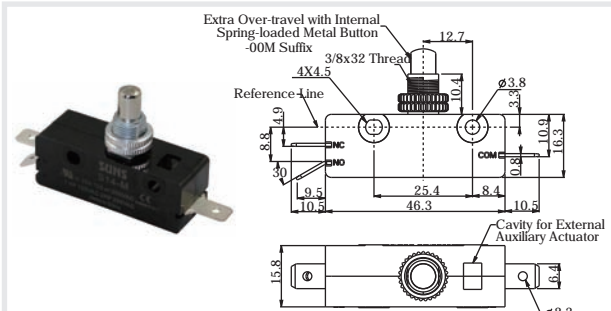
S-14J

Operating Characteristics	OT(Min): 1.27mm(0.050inch)
OF(Max): 850g	MD(Max): 0.38mm(0.015inch)
PT(Max): 2.54mm(0.100inch)	OP: 16.08±0.76mm(0.633± 0.030inch)



S-14K

Operating Characteristics	OT(Min): 3.30mm(0.130inch)
OF(Max): 285g	MD(Max): 1.14mm(0.045inch)
PT(Max): 8.84mm(0.348inch)	OP: 21.84±1.57mm(0.860± 0.062inch)



S-14M

Operating Characteristics	OT(Min): 4.27mm(0.168inch)
OF(Max): 850g	MD(Max): 0.38mm(0.015inch)
PT(Max): 2.54mm(0.100inch)	OP: 19.69±0.76mm(0.775± 0.030inch)

Note: SPST 1NO OR SPST 1NC is available as request.

add "1" or "2" suffix to the part number

Example: S-14E1: SPST 1NO

S-14H2: SPST 1NC