

GENERAL-PURPOSE MICRO SWITCHES S13 SERIES

Features

- 5 current ratings choice of actuator styles
- 3 terminal types (optional screw terminals available - consult factory)
- 3 contact arrangements
- Long-life coil spring mechanism
- High-temperature 150 and 200 available on select models (consult factory)

Specifications

Electrical

Electrical Rating:	15A, 125/250VAC; 3/4HP, 125VAC 1-1/2HP, 250VAC
Temperature Rating:	105°C Std. (150°C and 200°C optional)
Flammability Rating:	UL94-V0

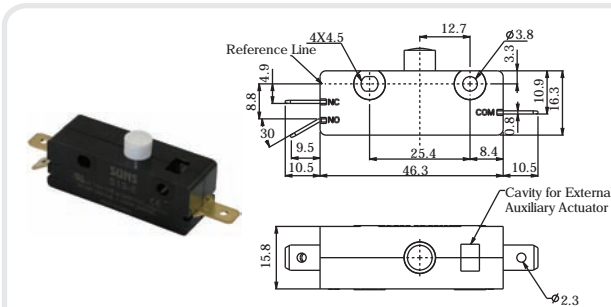
Materials

Case:	General Purpose Phenolic
Actuating Button:	Thermoplastic Nylon
Common Terminals:	Brass
NO and NC Terminals:	Brass
Moving Blade:	Brass
Spring:	Stainless Steel
Auxiliary Actuators:	Cold-Rolled Steel (Nickel-Plated)
Roller:	Sintered Stainless Steel
Contacts:	Silver-Cadmium Oxide

Definitions of Operating Characteristics

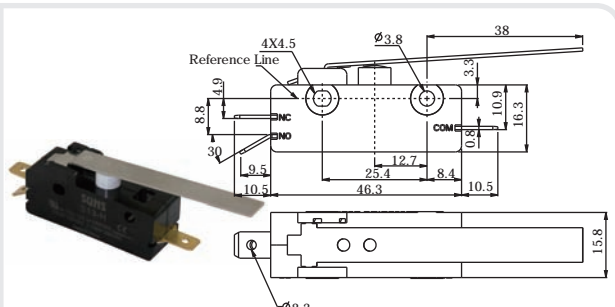
OF Operating Force	PT Pretravel
RF Releasing Force	MD Movement Differential
OT Overtravel	OP Operating Position
TT Total Travel	

Dimensions Unit: mm



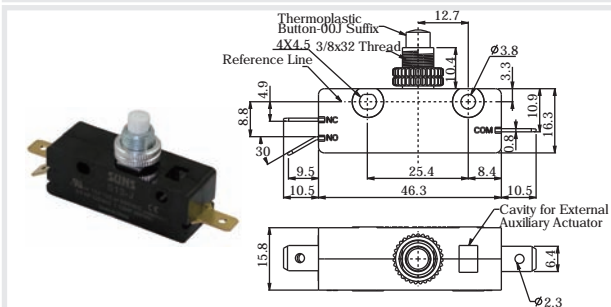
S-13E

Operating Characteristics	OT(Min): 2.54mm(0.100inch)
OF(Max): 425g	MD(Max): 0.38mm(0.015inch)
PT(Max): 1.27mm(0.050inch)	OP: 7.24±0.51mm(0.285±0.020inch)



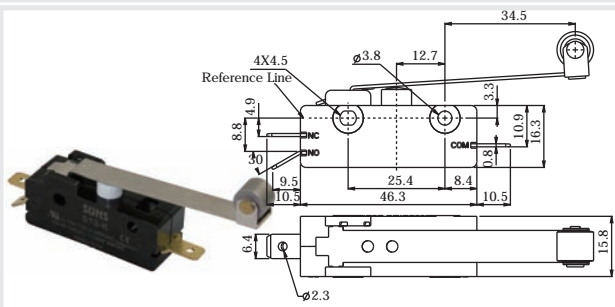
S-13H

Operating Characteristics	OT(Min): 4.75mm(0.187inch)
OF(Max): 100g	MD(Max): 2.36mm(0.093inch)
PT(Max): 6.35mm(0.250inch)	OP: 7.93±1.57mm(0.312±0.062inch)



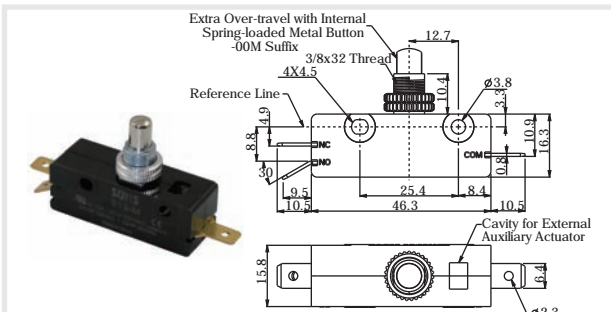
S-13J

Operating Characteristics	OT(Min): 2.74mm(0.108inch)
OF(Max): 425g	MD(Max): 0.38mm(0.015inch)
PT(Max): 1.27mm(0.050inch)	OP: 17.02±0.76mm(0.670±0.030inch)



S-13K

Operating Characteristics	OT(Min): 4.75mm(0.187inch)
OF(Max): 100g	MD(Max): 2.36mm(0.093inch)
PT(Max): 6.35mm(0.250inch)	OP: 18.24±1.57mm(0.718±0.062inch)



S-13M

Operating Characteristics	OT(Min): 5.54mm(0.218inch)
OF(Max): 425g	MD(Max): 0.38mm(0.015inch)
PT(Max): 1.27mm(0.050inch)	OP: 20.63±0.76mm(0.812±0.030inch)

Note: SPST 1NO OR SPST 1NC is available as request, add "1" or "2" suffix to the part number

Example: S-13E1: SPST 1NO

S-13H2: SPST 1NC