

Snap Action Industrial Switches (SW-3 Series)

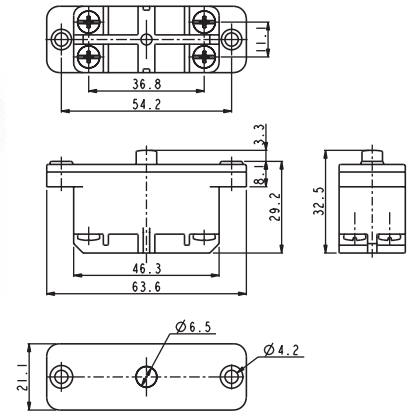
General Information

SW-3 switches are for use with limit or control mechanisms on machine tools, presses or other industrial equipment. These switches provide easy gang mounting.

The terminals of double-break switches must be wired to identical voltage sources and the same polarity. The loads should be on the same sides of the lines.

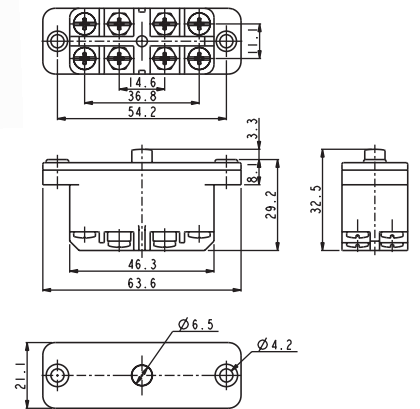
Features

- Arc resistant fiber reinforced plastic enclosure
- High Power load switching capability up to 15 amperes
- Motor handling capacity of 1 horsepower at 240 vac.
- Long mechanical life of 10,000,000 cycles
- Double break contacts
- Available in SPDT (1NO/1NC) and DPDT (2NO/2NC)



Definitions of Operating Characteristics

- OF Operating Force
- RF Releasing Force
- OT Overtravel
- TT Total Travel
- PT Pretravel
- MD Movement Differential
- OP Operating Position
- PO Travel to Positive Opening



Operating Characteristics

	SW3101	SW3201
Pre-travel (mm/inch)	1.4-1.8	1.5-2.5
Differential (mm/inch)	1-1.4	1-1.5
Total travel (mm/inch)	4.3	4.3
Operating force	2.5-3N	3-7N

Rated Current and Voltages

Switch Type	Contacts	Voltage	AC 50 or 60 Hz					DC			AC or DC	
			Inductive 35% Power Factor				Resistive 75%	Voltage	Inductive and Resistive			Continuous Carrying Amperes
			Make		Break				Make and Break Amperes	Make and Break Amperes		
			A	VA	A	VA	Single Pole			Double Pole		
SW3101	SPDT	120	40	4800	15	1800	15	125	0.5	0.25	15	
		240	20	4800	10	2400	10	250	0.25	0.1	15	
		480	10	4800	6	2880	6	600	0.05	—	15	
		600	8	4800	5	3000	5	—	—	—	15	
SW3201	DPDT	120	30	3600	3	360	3	125	1.0	0.2	10	
		240	15	3600	1.5	360	1.5	250	0.3	0.1	10	
		480	7.5	3600	0.75	360	0.75	600	0.1	—	10	
		600	6	3600	0.6	360	0.6	—	—	—	10	