

INTERLOCK SWITCHES SXP SERIES

Features

- *Miniature size suitable for limited space applications
- *Meet contact gap 3mm (minimum) power switch requirement
- *Highly reliable design conforms to European safety standards
- *Double return spring available for safety consideration
- *Direct open positive contact available
- *Pull-on lock model for easy maintenance is also available.

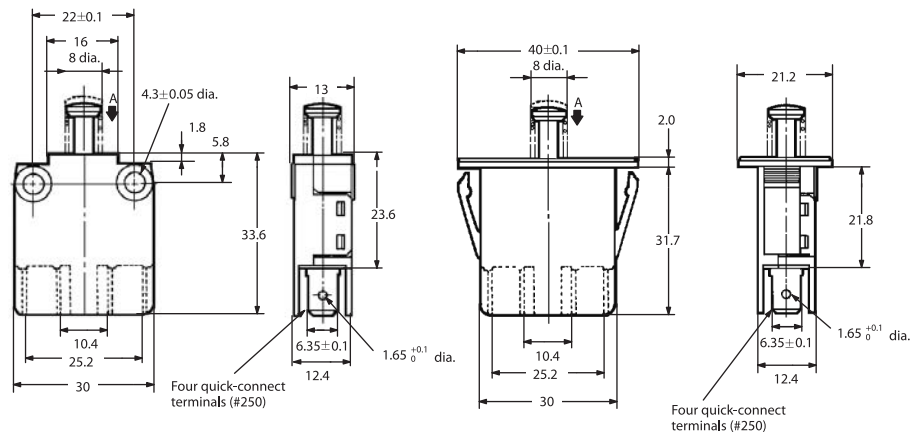
Specifications

Operating Speed	10mm-1m/sec
Operating Frequency	Mechanical: 120ops/min Electrical: 30 ops/min
Insulation Resistance	>100MΩ@500V DC
Contact Resistance	<50mΩ (initial value)
Electrical Rating	16A 125/250VAC , 4A 24VDC 3/4HP 125VAC 1-1/2HP 250VAC
Dielectric Strength	same poles:1000V AC 50/60Hz 1min pole to ground:2500V AC 50/60Hz 1min
Service Life	Mechanically 10 millions ops Electrically 100,000 ops
Working Temperature	-25~+80°C (-13~176°F) with no icing
Humidity	< 85%RH
Weight	~12-14g
Degree of Protection	IP40

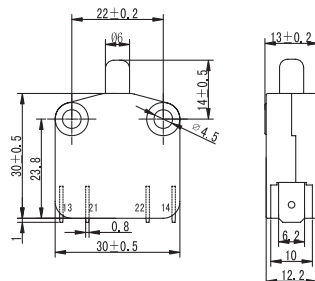
Selection Guide:

SXP-2	0	6
Housing Style	Option #1	Contact Configuration
SXP-1	0: Screw Mounting	1: 1NO slow action (3mm contact gap)
SXP-2	1: Panel Snap-fit Mounting	2: 1NC slow action (3mm contact gap)
		6: 1NO/1NC snap action
		7: 1NO/1NC Pull-on-lock (10A/250VAC)

Dimensions



SXP-1



SXP-2

Operating Characteristics:

Operating force	OF (Max)	5.88N
Release force	RF (Min)	1N
Pretravel	PT (max)	3mm
Differential Travel	MD (Max)	2mm
Total Travel	TT (Min)	6mm