

FS-72 Series Wireless Medical Foot Switches

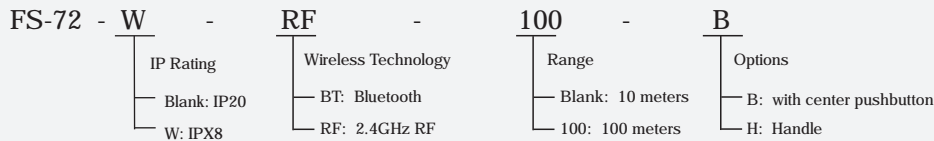
Features

- 2 wireless technologies available:
 - 2.4GHz RF wireless
 - Bluetooth wireless
- Removes clutter of wires
- Easy to clean and move around
- Available for up to 8 switch functions
- Multiple systems can be used in close vicinity
- RF wireless uses frequency-hopping spread spectrum (FHSS) RFID technology
- Transmitter powered by 4 (AA) batteries
- Long battery life

Specifications

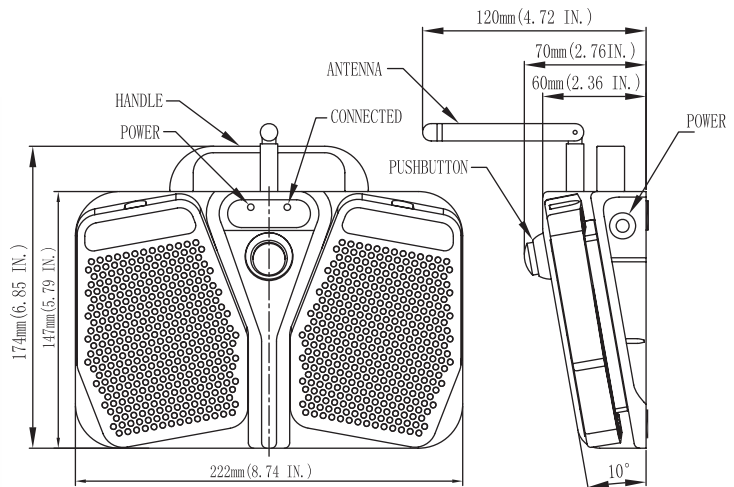
Operating Frequency	60 ops/min
Insulation Resistance	>100MΩ@500V DC
Contact Resistance	<25mΩ
Rated Current/Voltage	Receiver output 10A/250VAC
Service Life	Mechanically 1 x10 ⁶ (operations)
Operating Temperature	-10~+80°C (14~176°F)
Transmission Frequency	2.40 - 2.483 GHz
Protocols	IEC802.15.1
Standards	EN 300 328,V1.7.1, EN612326-1(2006); EN 301 489-1,V.1.8.1 EN301 489-17,V2.1.1
Degree of Protection	IP20/NEMA 1 (IP68/NEMA 4, 6, 6P available on request)

Selection Guide:



Dimensions:

FS-72-W-RF (2.4GHz)
FS-72-W-BT (Bluetooth)



Standard Receiver Module

FS-RCV-RF (2.4GHz)
FS-RCV-BT (Bluetooth)



Power supply: 5 VDC
Up to 8 channels output
10A/250VAC per channel

* Contact us for custom circuit for OEM applications

FS-6 Series Wireless Medical Foot Switches

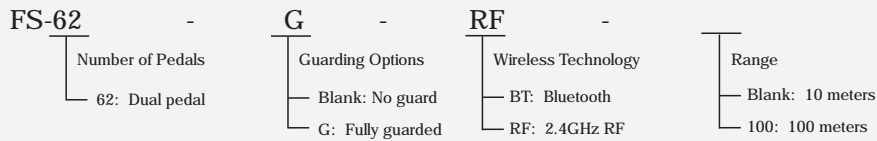
Features

- 2 wireless technologies available:
 - 2.4GHz RF wireless
 - Bluetooth wireless
- Removes clutter of wires
- Easy to clean and move around
- Available for up to 8 switch functions
- Multiple systems can be used in close vicinity
- RF wireless use frequency-hopping spread spectrum (FHSS) RFID technology
- Transmitter powered by 4 (AA) batteries
- Long battery life

Specifications

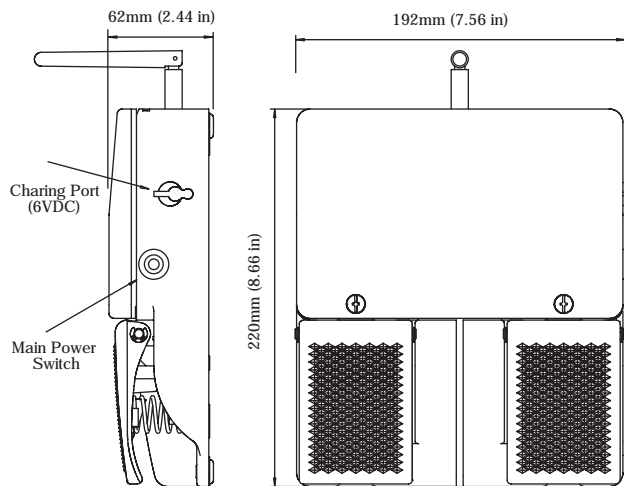
Operating Frequency	60 ops/min
Insulation Resistance	>100MΩ@500V DC
Contact Resistance	<25mΩ
Rated Current/Voltage	Receiver output 10A/250VAC
Service Life	Mechanically 1 x10 ⁶ (operations)
Operating Temperature	-30~+80°C (-22~176°F)
Protocols	IEC802.15.1
Standards	EN 300 328,V1.7.1, EN612326-1(2006); EN 301 489-1,V.1.8.1 EN301 489-17,V2.1.1
Degree of Protection	IP65 (IP68 available on request)

Selection Guide:



Dimensions:

FS-62-RF (2.4GHz)
FS-62-BT (Bluetooth)



Standard Receiver Module

FS-RCV-RF (2.4GHz)
FS-RCV-BT (Bluetooth)



Power supply: 5 VDC
Up to 8 channels output
10A/250VAC per channel

* Contact us for custom circuit for OEM applications