

## FS-9 Series Medical Foot Switches

### Features

- Robust glass fiber reinforced plastics or zinc die cast body
- UL/cUL approved
- Custom color/wiring available

### Specifications

Operating Frequency	60 ops/min
Insulation Resistance	>100MΩ@500V DC
Contact Resistance	<25mΩ
Rated Current/Voltage	10A/250V or 15A/250V or 20A/250V
Dielectric Strength	1000VAC for 1 min between current carrying parts 2500VAC for 1 min between non-current carrying parts
Service Life	Mechanically 1 x 10 <sup>6</sup> (operations) Electrically 5 x 10 <sup>5</sup> (operations)
Operating Temperature	-30~+80°C (-22~176°F)
Degree of Protection	IP20/NEMA 1 (or IPX8/NEMA 4, 4X, 6, 6P)

### Selection Guide:

<b>FS</b>	-	<b>91</b>	-	<b>10</b>	-	<b>W</b>	-	<b>M</b>	-	<b>P</b>	-	<b>8</b>	-	<b>F</b>	-	<b>18/3</b>													
		Number of Pedals				Electrical Rating				IP Rating				Enclosure Type						Options				Cable Length				Additional Wiring Information e.g. 18AWGx3	
		91: Single Pedal				10: 10A/250VAC				Blank: IP20				Blank: Fiber reinforced plastic							P: Supplied with 3 prong series plug				Blank: Meter(s)				
		92: Dual Pedal				15: 15A/250VAC				W: IPX8				M: Zinc die cast							K: Gold plated contact				F: Foot/feet				
						20: 20A/250VAC															G: With protection guard								

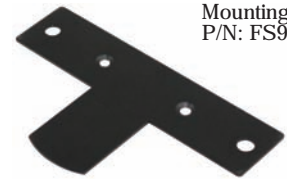
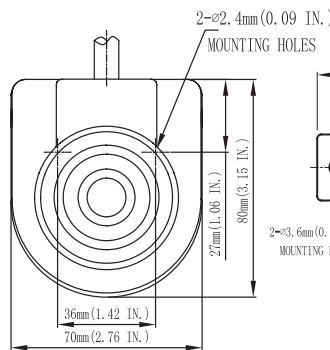
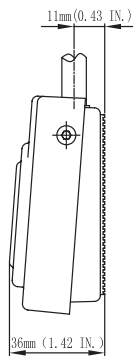
\* Standard pedal color: Black

### Dimensions:

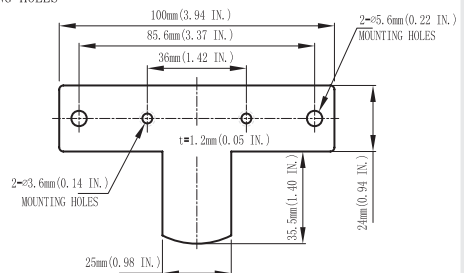
- FS-91-20 (not wired)
- FS-91-10-2 (prewired 2 meters 18AWGx3 1NO,IP20)
- FS-91-10-W2 (prewired 2 meters 18AWGx3 1NO, IPX8)



\* Color code:(e.g.suffix:-U for blue)



Mounting Plate  
P/N: FS91-MP



- FS-92-20 (not wired)
- FS-92-10-W (no cable with water-proof micro switch)
- FS-92-10-2 (prewired 2 meters 18AWGx4 1NOx2,IP20)
- FS-92-10-W2 (prewired 2 meters 18AWGx4 1NOx2,IPX8)



\* Color code:(e.g.suffix:-YU/B for yellow/blue pedals on black base)

