

## FSC-6 Series Specialty Foot Switches

### Features

- Robust aluminum alloy die cast body
- Three special styles:
  - High current carrying capacity
  - AC variable speed control
  - Push-on/push-off
- UL/cUL approval(E321073)
- Threaded hole available in: PG13.5, M20x1.5 and 1/2NPT

### Specifications

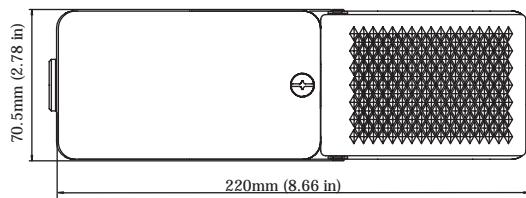
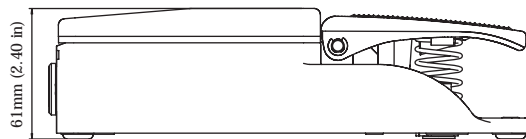
Operating Frequency	60 ops/min
Insulation Resistance	>100MΩ@500V DC
Contact Resistance	<25mΩ
Rated Current/Voltage	Various (see below)
Inrush Current	Complies with IEC947-5-1: AC15/DC13
Dielectric Strength	1000VAC for 1 min between current carrying parts 2500VAC for 1 min between non-current carrying parts
Service Life	Mechanically 1 x 10 <sup>6</sup> (operations) Electrically 5 x 10 <sup>5</sup> (operations)
Operating Temperature	-30~+80°C (-22~176°F)
Degree of Protection	IP65, NEMA type 2, 4, 13 (IP68, NEMA type 6, 6P available on request)

### Selection Guide:

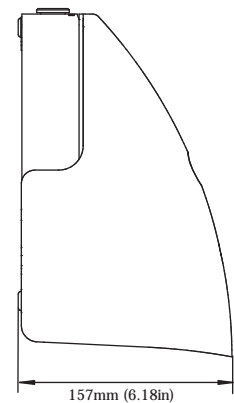
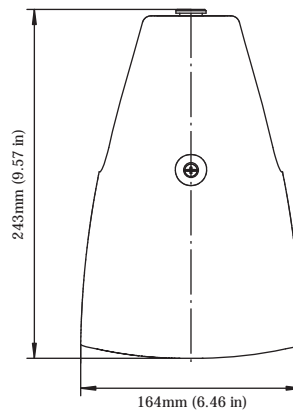
<b>FSC - 61</b>	-	<b>G</b>	-	<b>08</b>	-	<b>D</b>	-	-	-	-	-
Number of Pedals		Guarding Options		Switch Type		Special Features		Switch Configuration		Options	Conduit Type
61: Single pedal		Blank: No guard		08: 8A/125, 4A/250VAC		Blank:		Blank: SPDT		K: Gold plated contacts	A: 1/2NPT
62: Dual pedals		G: Fully guarded		10: 10A/125, 6/250V		A: Anti-Tripped		T: DPDT			B: PG13.5
				20: 20A 125/250/480V		D: Push-on/Push-off		S: 2 stages			C: M20 x1.5
				25: 25A 125/250/480V		V: AC variable speed					

### Dimensions:

- FSC-61-08D (8A/125VAC, 6A/250VAC, push-on/push-off)
- FSC-61-10V (10A/125VAC or 6A/250VAC, AC variable speed)
- FSC-61-20 (20A 125/250/480VAC)
- FSC-61-25 (25A 125/250/480VAC)

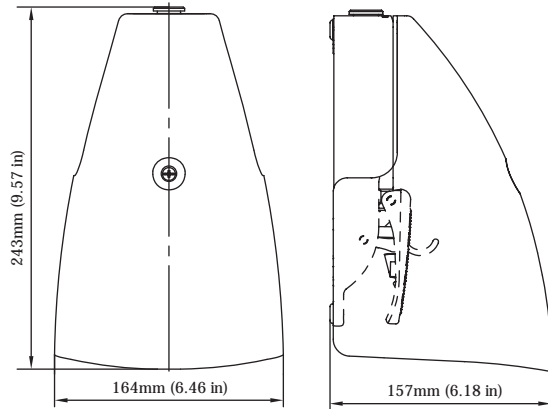


- FSC-61G-08D (8A/125VAC, 6A/250VAC, push-on/push-off)
- FSC-61G-10V (10A/125VAC or 6A/250VAC, AC variable speed)
- FSC-61G-20 (20A 125/250/480VAC)
- FSC-61G-25 (25A 125/250/480VAC)



## FSC-6 Series Specialty Foot Switches

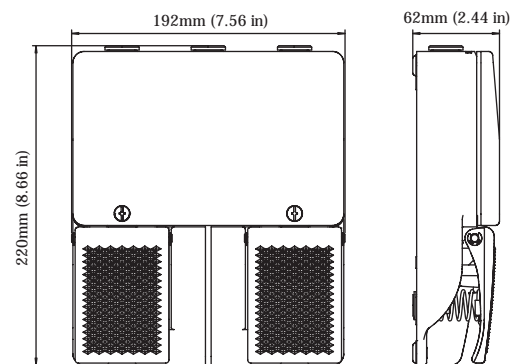
FSC-61G-20-A-A (20A, anti-trip, 1/2NPT)  
 FSC-61G-20-A-C (20A, anti-trip, M20x1.5)



## Dual Pedals Specialty Foot Switches

Dimensions:

FSC-62-08D (8A/125VAC, 6A/250VAC, push-on/push-off)  
 FSC-62-20 (20A 125/250/480VAC)  
 FSC-62-25 (25A 125/250/480VAC)



FSC-62G-08D (8A/125VAC, 6A/250VAC, push-on/push-off)  
 FSC-62G-20 (20A 125/250/480VAC)  
 FSC-62G-25 (25A 125/250/480VAC)

