

## FS-5 Series Heavy Duty Foot Switches

### Features

- Treadle and housing constructed from cast iron for strength and durability
- Strong cast aluminum guard construction
- Features an anti-trip treadle mechanism that helps prevent accidental actuation through unintentional stepping on foot treadle
- Anti-skid rubber feet and three holes for rigid mounting to floor or equipment
- UL/CSA/CE/CCC certified
- Conduit available in: 3/4NPT, 1/2NPT, M20, 1/2NPTx2, M20 x 2

### Specifications

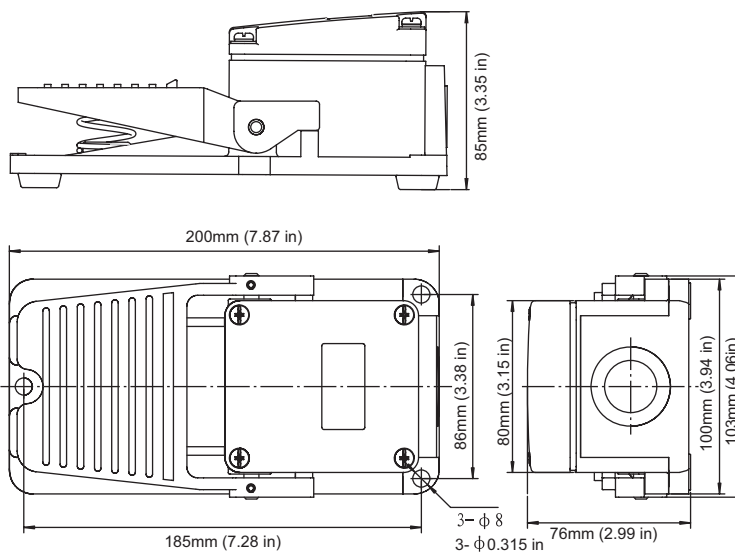
Operating Frequency	60 ops/min
Insulation Resistance	>100MΩ@500V DC
Contact Resistance	<25mΩ
Rated Current/Voltage	15A, 20A or 25A 125V/250VAC
Dielectric Strength	1000VAC for 1 min between current carrying parts 2500VAC for 1 min between non-current carrying parts
Service Life	Mechanically 1 x 10 <sup>6</sup> (operations) Electrically 5 x 10 <sup>5</sup> (operations)
Operating Temperature	-20~+80°C (-4~176°F)
Degree of Protection	IP65, NEMA type 2, 4, 13 (IP68, NEMA type 6, 6P available on request)

### Selection Guide:

FS-5	-	G	-	20	AG	-	S	-	A
		Guarding Options		Electrical Ratings	Other Features		Switch Configuration		Conduit Type
		Blank: No guard		15: 15A	D: Maintained		Blank: SPDT (1NO/1NC)		F: 3/4NPT
		G: Fully guarded		20: 20A	A: Anti-trip mechanism		T: DPDT (2NO/2NC)		A: 1/2NPT
				25: 25A	G: Protective gate		S: DPDT (2 stages)		A2: Two 1/2NPT
									C: M20 x1.5
									C2: Two M20 x1.5

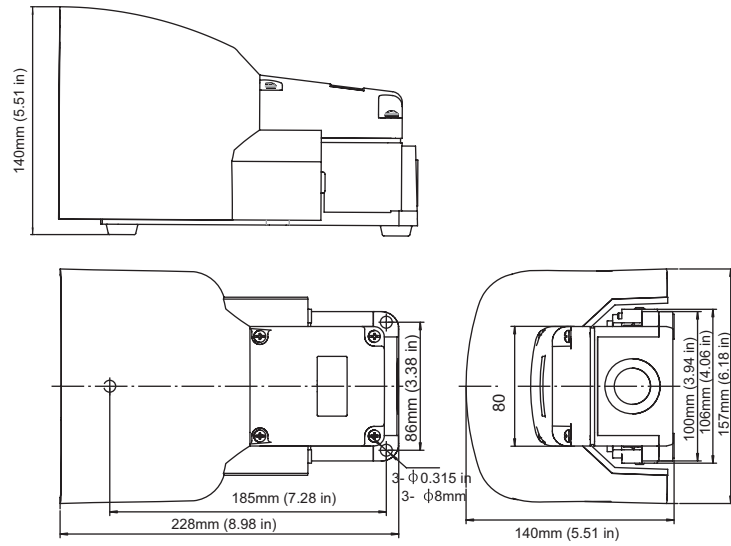
### Dimensions:

FS-5-20

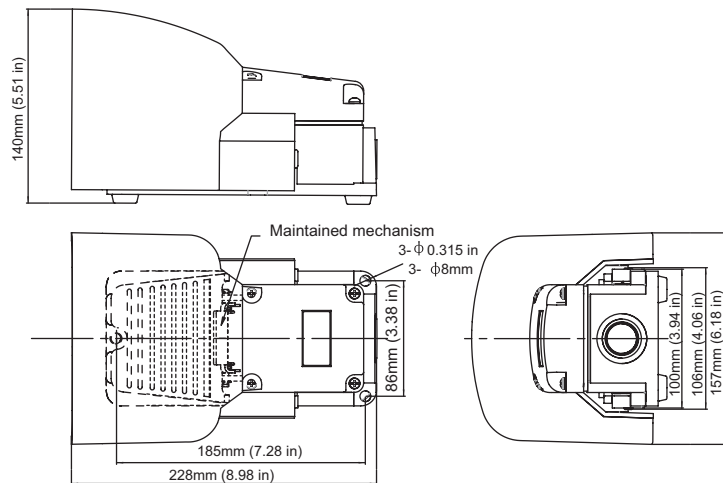


## FS-5 Series Heavy Duty Foot Switches

FS-5G-20



FS-5G-20D (Maintained)



FS-5G-20-AG (Anti-trip with gate)

