

FS-9 Series Compact Foot Switches

Features

- Robust glass fiber reinforced plastics or zinc die cast body
- Four switch ratings available:
 - 10A:1/2HP 125/250VAC
 - 15A:3/4HP 125VAC, 1-1/2HP 250VAC
 - 20A:1-1/2HP 125VAC, 2HP 250VAC
 - 25A:1-1/2HP 125VAC, 2HP 250VAC
- UL/CSA/CE/CCC certified
- Custom color/wiring available

Specifications

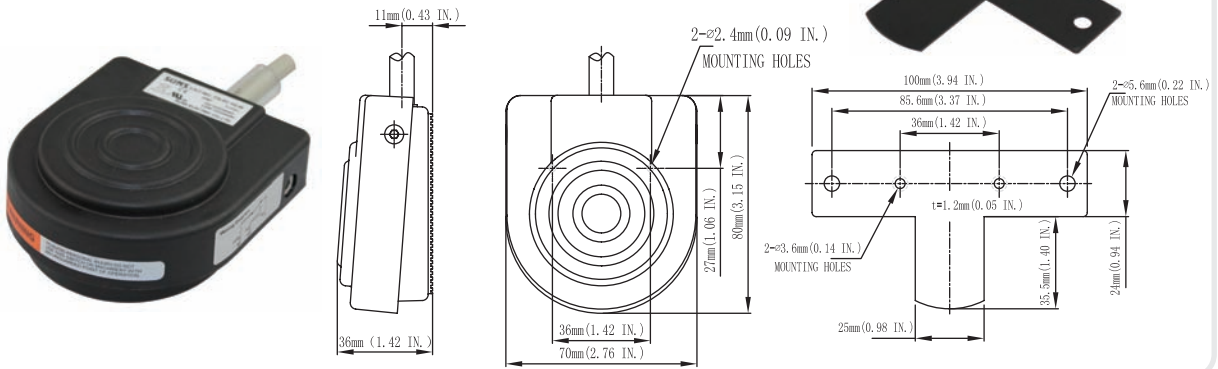
Operating Frequency	60 ops/min
Insulation Resistance	>100MΩ@500V DC
Contact Resistance	<25mΩ
Dielectric Strength	1000VAC for 1 min between current carrying parts 2500VAC for 1 min between non-current carrying parts
Service Life	Mechanically 1 x 10 ⁶ (operations) Electrically 5 x 10 ⁵ (operations)
Operating Temperature	-20~+80°C (-4~176°F)
Degree of Protection	IP20/NEMA 1 (IP68/NEMA 6,6P available upon request)

Selection Guide:

FS - 91	-	10	-	M	-	P	-	8	-	F	-	18/3
		Electrical Rating		Enclosure Material		Options		Cable Length		Additional Wiring Information		18AWGx3
		10: 10A		Blank: Fiber reinforced plastic		P: Supplied with 3 prong series plug				Blank: Meter(s)		
		15: 15A		M: Zinc die cast		G: With protective guard				F: Foot/Feet		
		20: 20A				K: Gold plated contact						
		25: 25A										

Dimensions:

FS-91-20M (not wired, Zinc cast pedal)
 FS-91-15M-2 (prewired 2 meters 14AWGx3 1NO, Zinc)
 FS-91-10M-2 (prewired 2 meters 18AWGx3 1NO, Zinc)



FS-1G

