

## FAS Series Air Actuate Switches

### Features

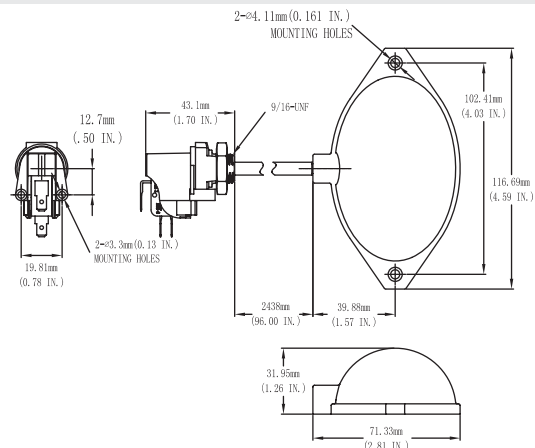
- Long life air bulb actuator
- Remotely located air operated electric snap switch
- Supplied with a 10 foot 1/8" ID PVC tubing connecting the foot pedal to the remote airswitch
- Remote switch equipped with a 9/16" U.N.F. bulkhead mount
- Isolating the electrically live snap switch from the floor
- Offers environmental protection from short or shock

### Specifications

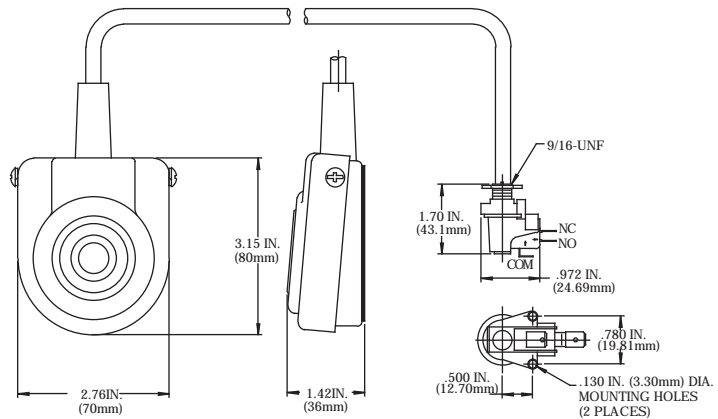
Operating Frequency	60 ops/min
Insulation Resistance	>100MΩ@500V DC
Contact Resistance	<25mΩ
Rated Current/Voltage	15A, 1/2HP, 125/250VAC or 20A 1HP 125VAC, 2HP 250VAC
Dielectric Strength	1000VAC for 1 min between current carrying parts 2500VAC for 1 min between non-current carrying parts
Service Life	Mechanically 1 x 10 <sup>6</sup> (operations) Electrically 5 x 10 <sup>5</sup> (operations)
Operating Temperature	-20~+80°C (-4~176°F)
Degree of Protection	IP68 (NEMA 4, 4x, 6, 6P)

### Dimensions:

FAS-1-15(15A)  
FAS-1-20(20A)



FAS-9-15(15A)  
FAS-9-20(20A)



AS-15(15A)  
AS-20(20A)

