

GLOBAL STYLE SAFETY LIMIT SWITCHES (Plastic Bodied EN50041 TYPE) SND6 SERIES (SINGLE CONDUIT ENTRY)



Long standing relationships with the biggest names in Industrial Automation enable our team to deliver competitive products that are innovative and designed for years of reliable performance.

Features

- Glass fiber reinforced plastic body
- Increased wiring space
- Easily interchangeable contact block
- Galvanically separated contacts
- Screw terminals with self-lifting clamps for easy wiring
- Positive Opening of NC contacts
- 4 x 90° actuator positions
- Cable entry available: M20, PG13.5 and 1/2"NPT
- Conform to EN 50041 standard

Definitions of Operating Characteristics

- OF Operating Force
 RF Releasing Force
 OT Overtravel
 TT Total Travel
 PT Pretravel
 MD Movement Differential
 OP Operating Position
 PO Travel to Positive Opening



Specifications

| | |
|-----------------------|--|
| Operating Speed | 0.05mm-2m/sec |
| Operating Frequency | Mechanical: 120ops/min Electrical: 30 ops/min |
| Insulation Resistance | >100MΩ@500V DC |
| Contact Resistance | <25mΩ (initial value) |
| Rated Current/Voltage | 10A/600V AC (EN60947-5-1) UL/cUL Listed (E216958) AC15 A600 / DC13 Q300 |
| Dielectric Strength | 1000VAC for 1 min between current carrying parts 2500VAC for 1 min between non-current carrying parts |
| Service Life | Mechanically 1.0 x10 ⁷ (operations) Electrically 5 x10 ⁵ (operations) |
| Operating Temperature | -25~+80°C (-13~176°F) with no icing |
| Humidity | < 95%RH |
| Weight | 150-230g for plastic body |
| Degree of Protection | IP67 |

Selection Guide:

SND6

Body Styles

04

Head Styles

SP

Contact Block

- SP: 1NO/1NC Snap action
- SPT: 2NO/2NC Snap action
- SL: BBM 1NO/1NC Slow Action changeover
- SL1: MBB 1NO/1NC Slow Action Overlapping
- SL2: 2NC Slow Action
- SL3: 2NO Slow Action
- SL4: 3NC Slow Action
- SL5: 3NO Slow Action
- SL6: BBM 2NC/1NO Slow Action changeover
- SL7: MBB 2NC/1NO Slow Action Overlapping
- SL8: BBM 2NO/1NC Slow Action changeover
- SL9: MBB 2NO/1NC Slow Action Overlapping

C

Conduits

- A: 1/2"NPT
- B: PG13.5
- C: M20

R

Blank

R: with Reset

GLOBAL STYLE SAFETY LIMIT SWITCHES (Plastic Bodied EN50041 TYPE)

SND6 SERIES (SINGLE CONDUIT ENTRY)

Available contact blocks and travel diagrams



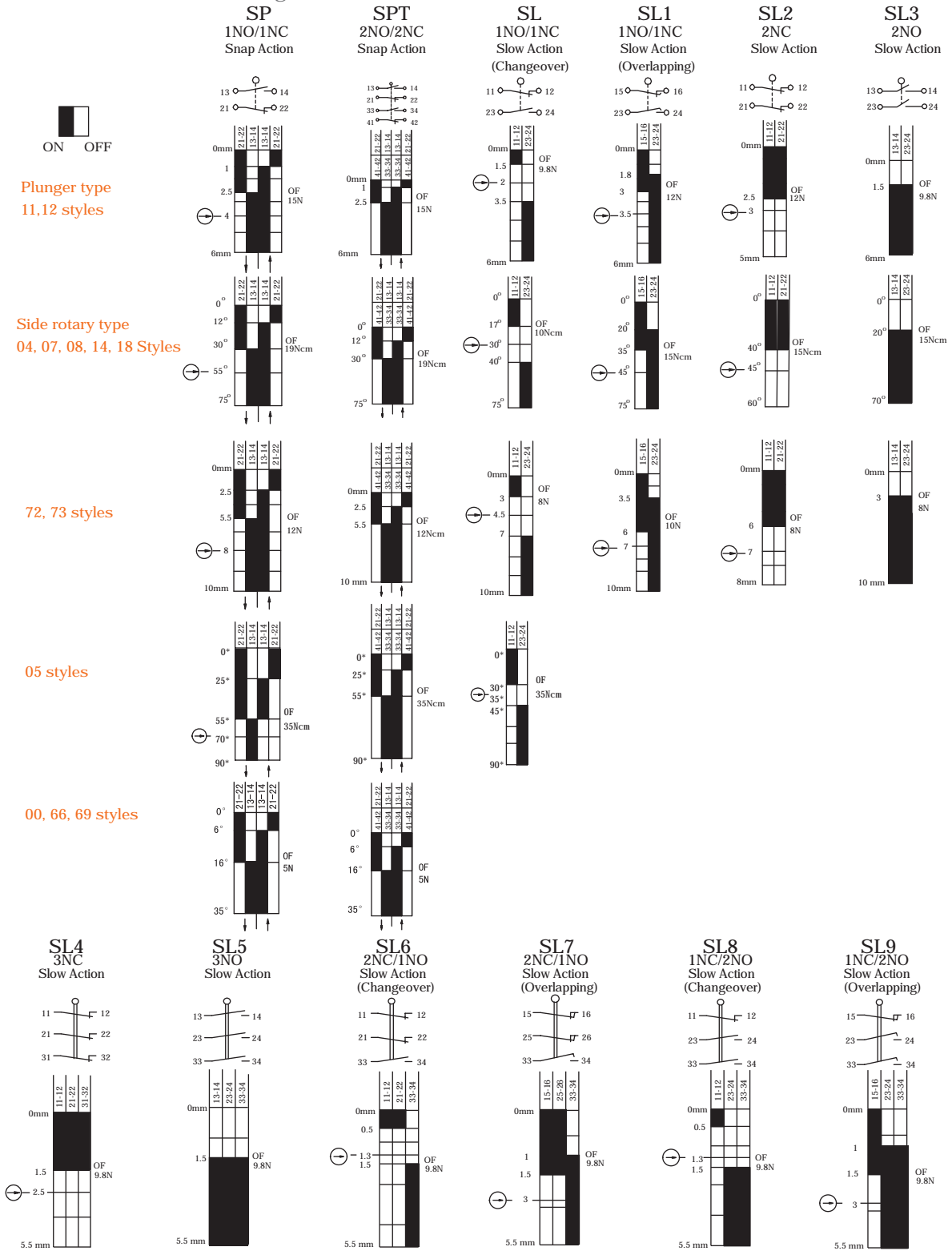
Plunger type
11, 12 styles

Side rotary type
04, 07, 08, 14, 18 Styles

72, 73 styles

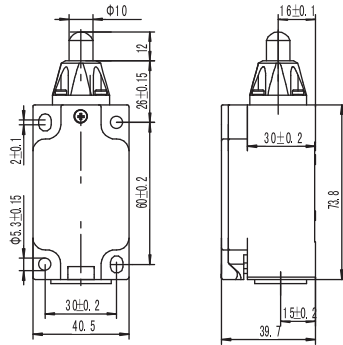
05 styles

00, 66, 69 styles



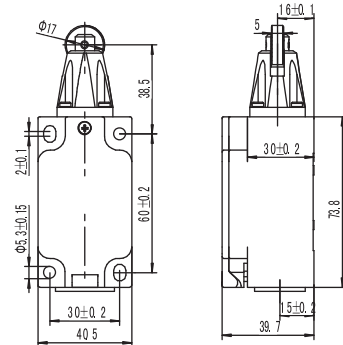
GLOBAL STYLE SAFETY LIMIT SWITCHES (Plastic Bodied EN50041 TYPE) SND6 SERIES (SINGLE CONDUIT ENTRY)

SND6111



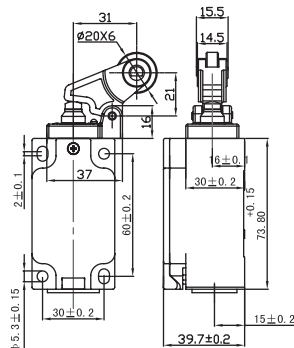
| Order Code | Contact block | | | |
|----------------|---------------|--|-------------|-------------|
| SND6111-SP- _ | SP | | snap action | 1NO+1NC |
| SND6111-SL- _ | SL | | slow action | 1NO+1NC BBM |
| SND6111-SL1- _ | SL1 | | slow action | 1NO+1NC MBB |
| SND6111-SL2- _ | SL2 | | slow action | 2NC |

SND6112



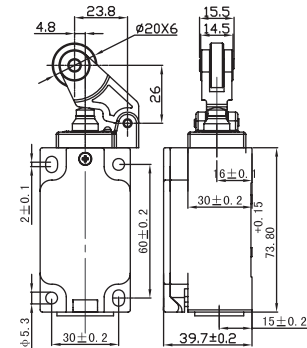
| Order Code | Contact block | | | |
|----------------|---------------|--|-------------|-------------|
| SND6112-SP- _ | SP | | snap action | 1NO+1NC |
| SND6112-SL- _ | SL | | slow action | 1NO+1NC BBM |
| SND6112-SL1- _ | SL1 | | slow action | 1NO+1NC MBB |
| SND6112-SL2- _ | SL2 | | slow action | 2NC |

SND6172



| Order Code | Contact block | | | |
|----------------|---------------|--|-------------|-------------|
| SND6172-SP- _ | SP | | snap action | 1NO+1NC |
| SND6172-SL- _ | SL | | slow action | 1NO+1NC BBM |
| SND6172-SL1- _ | SL1 | | slow action | 1NO+1NC MBB |
| SND6172-SL2- _ | SL2 | | slow action | 2NC |

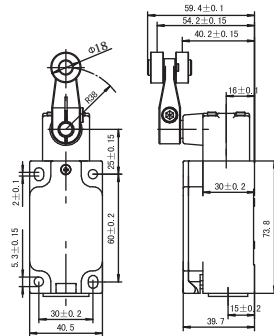
SND6173



| Order Code | Contact block | | | |
|----------------|---------------|--|-------------|-------------|
| SND6173-SP- _ | SP | | snap action | 1NO+1NC |
| SND6173-SL- _ | SL | | slow action | 1NO+1NC BBM |
| SND6173-SL1- _ | SL1 | | slow action | 1NO+1NC MBB |
| SND6173-SL2- _ | SL2 | | slow action | 2NC |

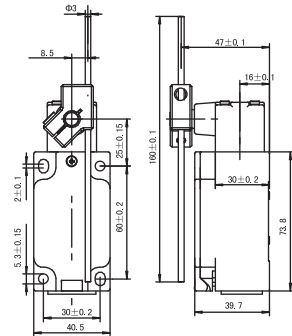
GLOBAL STYLE SAFETY LIMIT SWITCHES (Plastic Bodied EN50041 TYPE) SND6 SERIES (SINGLE CONDUIT ENTRY)

SND6104



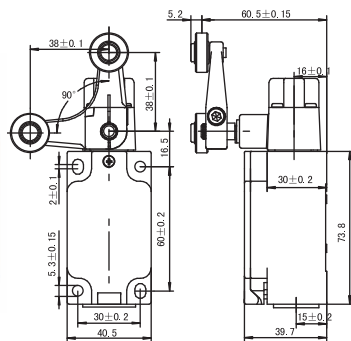
| Order Code | Contact block | | | |
|----------------|---------------|---|-------------|-------------|
| SND6104-SP- _ | SP | ⊕ | snap action | 1NO+1NC |
| SND6104-SL- _ | SL | ⊕ | slow action | 1NO+1NC BBM |
| SND6104-SL1- _ | SL1 | ⊕ | slow action | 1NO+1NC MBB |
| SND6104-SL2- _ | SL2 | ⊕ | slow action | 2NC |

SND6107



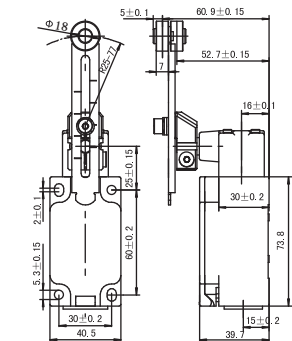
| Order Code | Contact block | | | |
|----------------|---------------|---|-------------|-------------|
| SND6107-SP- _ | SP | ⊕ | snap action | 1NO+1NC |
| SND6107-SL- _ | SL | ⊕ | slow action | 1NO+1NC BBM |
| SND6107-SL1- _ | SL1 | ⊕ | slow action | 1NO+1NC MBB |
| SND6107-SL2- _ | SL2 | ⊕ | slow action | 2NC |

SND6105



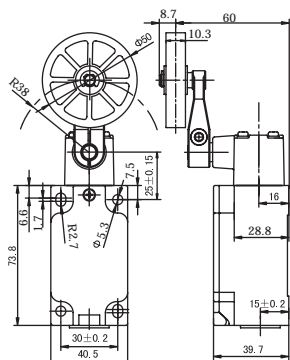
| Order Code | Contact block | | | |
|---------------|---------------|---|-------------|-------------|
| SND6105-SP- _ | SP | ⊕ | snap action | 1NO+1NC |
| SND6105-SL- _ | SL | ⊕ | slow action | 1NO+1NC BBM |

SND6108



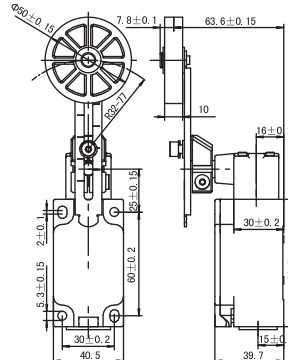
| Order Code | Contact block | | | |
|----------------|---------------|---|-------------|-------------|
| SND6108-SP- _ | SP | ⊕ | snap action | 1NO+1NC |
| SND6108-SL- _ | SL | ⊕ | slow action | 1NO+1NC BBM |
| SND6108-SL1- _ | SL1 | ⊕ | slow action | 1NO+1NC MBB |
| SND6108-SL2- _ | SL2 | ⊕ | slow action | 2NC |

SND6114



| Order Code | Contact block | | | |
|----------------|---------------|---|-------------|-------------|
| SND6114-SP- _ | SP | ⊕ | snap action | 1NO+1NC |
| SND6114-SL- _ | SL | ⊕ | slow action | 1NO+1NC BBM |
| SND6114-SL1- _ | SL1 | ⊕ | slow action | 1NO+1NC MBB |
| SND6114-SL2- _ | SL2 | ⊕ | slow action | 2NC |

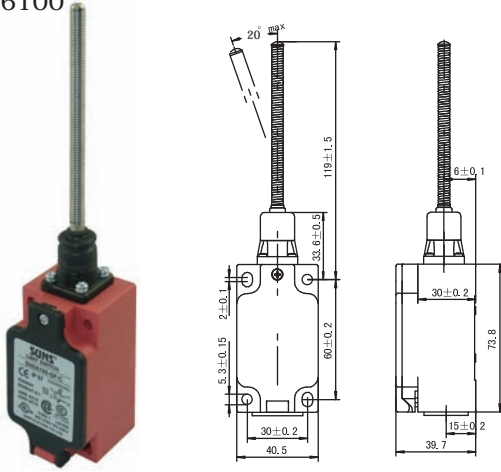
SND6118



| Order Code | Contact block | | | |
|----------------|---------------|---|-------------|-------------|
| SND6118-SP- _ | SP | ⊕ | snap action | 1NO+1NC |
| SND6118-SL- _ | SL | ⊕ | slow action | 1NO+1NC BBM |
| SND6118-SL1- _ | SL1 | ⊕ | slow action | 1NO+1NC MBB |
| SND6118-SL2- _ | SL2 | ⊕ | slow action | 2NC |

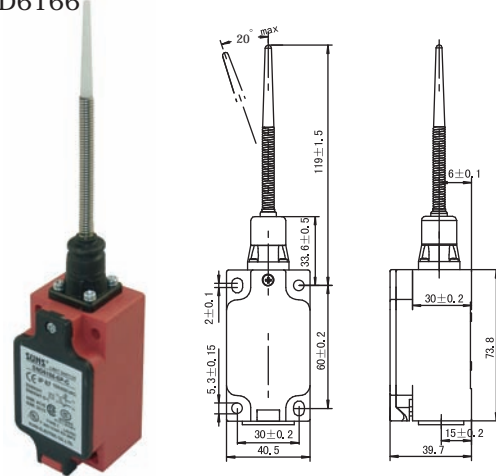
GLOBAL STYLE SAFETY LIMIT SWITCHES (Plastic Bodied EN50041 TYPE) SND6 SERIES (SINGLE CONDUIT ENTRY)

SND6100



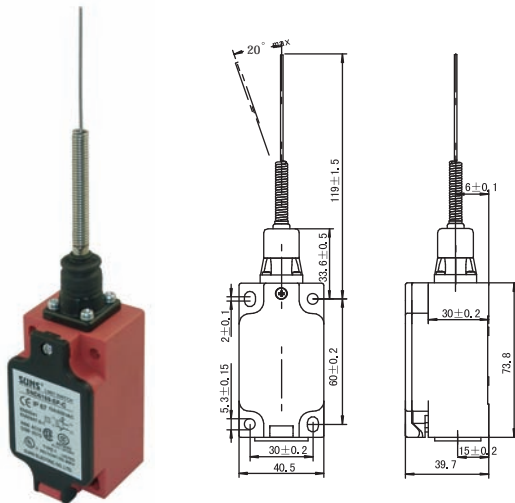
Order Code
SND6100-SP- _ SP snap action 1NO+1NC

SND6166



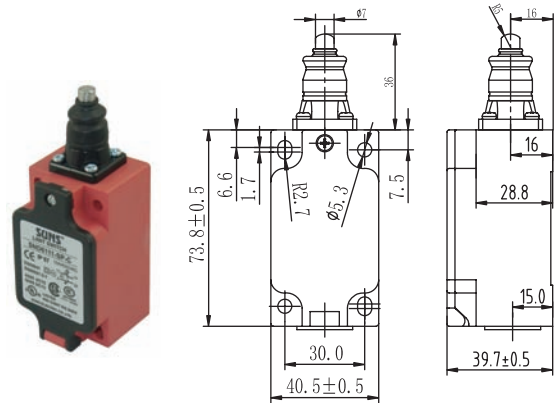
Order Code
SND6166-SP- _ SP snap action 1NO+1NC

SND6169



Order Code
SND6169-SP- _ SP snap action 1NO+1NC

SND6111-L



| Order Code | Contact block | SP | SL | SL1 | SL2 | SNAP ACTION | CONTACTS |
|-----------------|---------------|----|----|-----|-----|-------------|-------------|
| SND6111-SP- _L | SP | ⊕ | | | | ⊕ | 1NO+1NC |
| SND6111-SL- _L | SL | | ⊕ | | | ⊕ | 1NO+1NC BBM |
| SND6111-SL1- _L | SL1 | | | ⊕ | | ⊕ | 1NO+1NC MBB |
| SND6111-SL2- _L | SL2 | | | | ⊕ | ⊕ | 2NC |

