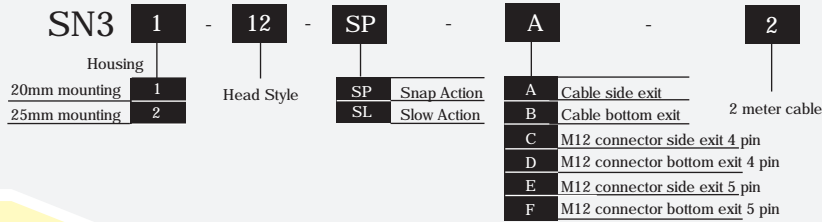


COMPACT LIMIT SWITCHES (IP67 Water-Proof) SN31 SERIES (20mm) and SN32 SERIES (25mm)

Selection Guide:

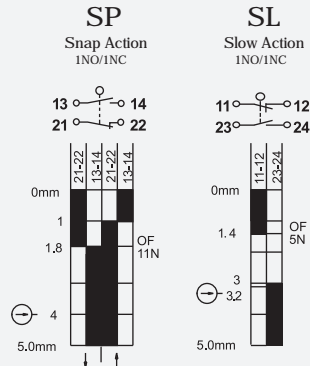


Specification


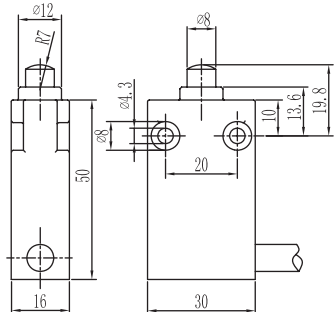

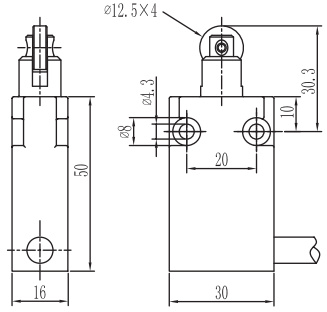

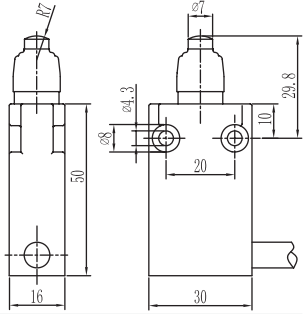

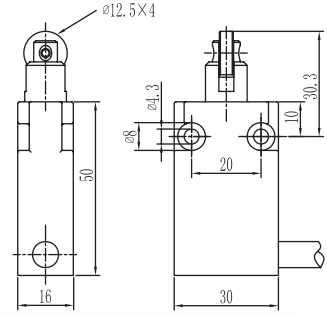

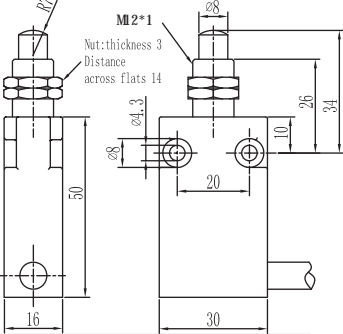

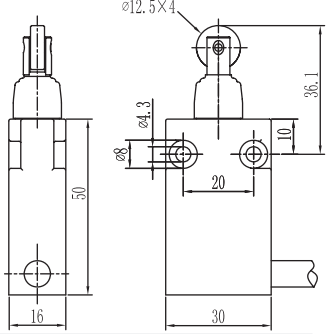

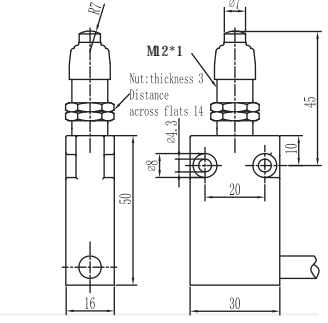

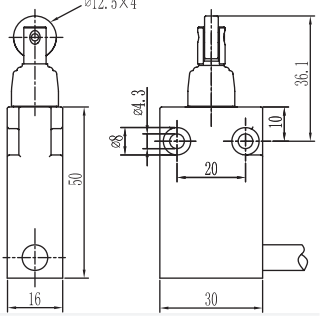
Operating Speed	0.05mm-2m/sec
Operating Frequency	Mechanical: 120ops/min Electrical: 30 ops/min
Insulation Resistance	>100MΩ@500V DC
Contact Resistance	<25mΩ (initial value)
Rated Voltage	300V AC (EN60947-5-1)
Rated Thermal Current	10A
Electrical Rating	AC15 A300 DC13 Q300
Dielectric Strength	1000VAC for 1 min between current carrying parts 2500VAC for 1 min between non-current carrying parts
Service Life	Mechanically 1.0 x10 ⁷ (operations) Electrically 5 x10 ⁵ (operations)
Operating Temperature	-25~+85°C without formation of ice
Humidity	< 95%RH
Cable	5 core, 0.75mm ²
Degree of Protection	IP67

Electrical Ratings


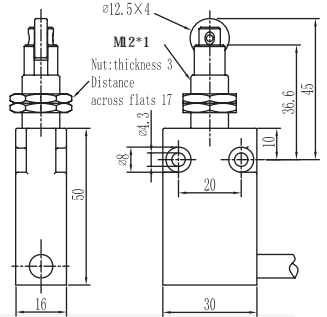

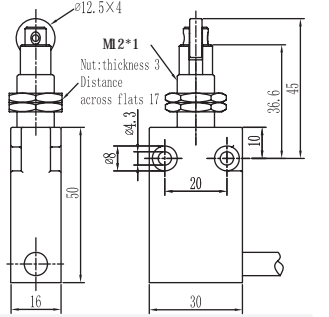





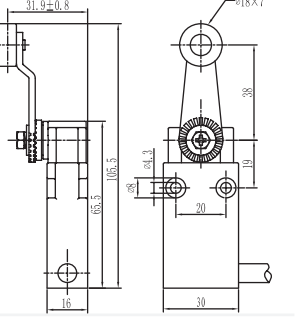

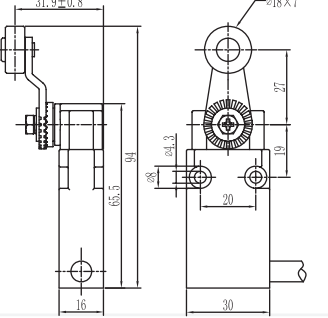





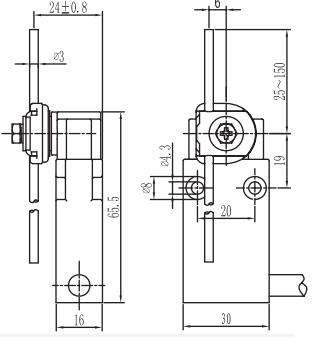

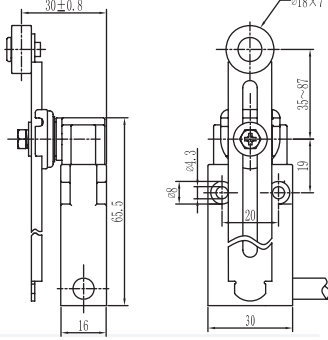





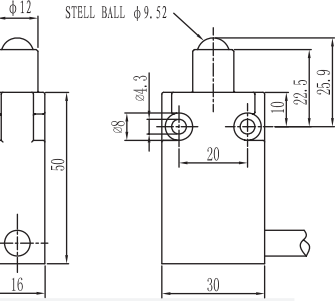

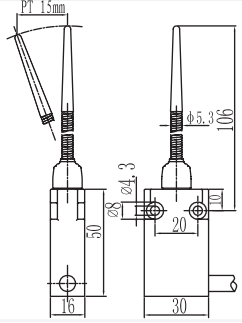



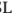
IEC 947-5-1 / EN 90947-5-1								
Designation & Utilization Category	Rated operational current I _e (A) at rated operational voltage U _e						VA rating	
	120V	240V	380V	480V	500V	600V	Make	Break
AC15 A300	6	3	-	-	-	-	7200	720
DC13 Q300	125VDC		250VDC					
	0.55	0.27						



COMPACT LIMIT SWITCHES (IP67 Water-Proof) SN31 SERIES (20mm) and SN32 SERIES (25mm)

 	 
<p>Order Code</p> <p>SN3101-SP SP ↻ snap action 1NO+1NC</p> <p>SN3101-SL SL ↻ slow action 1NO+1NC BBM</p>	<p>Order Code</p> <p>SN3112-SP SP ↻ snap action 1NO+1NC</p> <p>SN3112-SL SL ↻ slow action 1NO+1NC BBM</p>
 	 
<p>Order Code</p> <p>SN3111-SP SP ↻ snap action 1NO+1NC</p> <p>SN3111-SL SL ↻ slow action 1NO+1NC BBM</p>	<p>Order Code</p> <p>SN3122-SP SP ↻ snap action 1NO+1NC</p> <p>SN3122-SL SL ↻ slow action 1NO+1NC BBM</p>
 	 
<p>Order Code</p> <p>SN3121-SP SP ↻ snap action 1NO+1NC</p> <p>SN3121-SL SL ↻ slow action 1NO+1NC BBM</p>	<p>Order Code</p> <p>SN3102-SP SP ↻ snap action 1NO+1NC</p> <p>SN3102-SL SL ↻ slow action 1NO+1NC BBM</p>
 	 
<p>Order Code</p> <p>SN3131-SP SP ↻ snap action 1NO+1NC</p> <p>SN3131-SL SL ↻ slow action 1NO+1NC BBM</p>	<p>Order Code</p> <p>SN3103-SP SP ↻ snap action 1NO+1NC</p> <p>SN3103-SL SL ↻ slow action 1NO+1NC BBM</p>

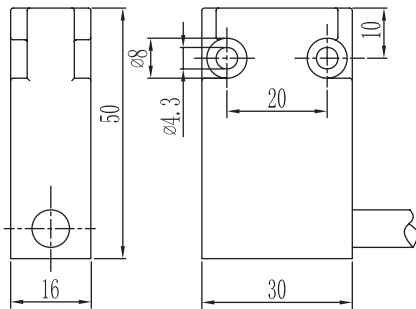
COMPACT LIMIT SWITCHES (IP67 Water-Proof) SN31 SERIES (20mm) and SN32 SERIES (25mm)

			
Order Code	Contact block	Order Code	Contact block
SN3132-SP	SP  snap action	SN3132-SP	SP  snap action
SN3132-SL	SL  slow action	SN3132-SL	SL  slow action
	1NO+1NC		1NO+1NC
	BBM		BBM
			
Order Code	Contact block	Order Code	Contact block
SN3104-SP	SP  snap action	SN3104-SP-S	SP  snap action
SN3104-SL	SL  slow action	SN3104-SL-S	SL  slow action
	1NO+1NC		1NO+1NC
	BBM		BBM
			
Order Code	Contact block	Order Code	Contact block
SN3107-SP	SP  snap action	SN3108-SP	SP  snap action
SN3107-SL	SL  slow action	SN3108-SL	SL  slow action
	1NO+1NC		1NO+1NC
	BBM		BBM
			
Order Code	Contact block	Order Code	Contact block
SN3105-SP	SP  snap action	SN3166-SP	SP  snap action
SN3105-SL	SL  slow action	SN3166-SL	SL  slow action
	1NO+1NC		1NO+1NC
	BBM		BBM

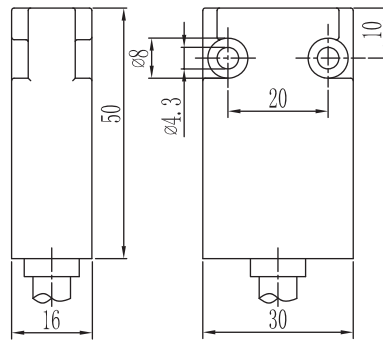
COMPACT LIMIT SWITCHES (IP67 Water-Proof) SN31 SERIES (20mm) and SN32 SERIES (25mm)

Basic Body dimension:

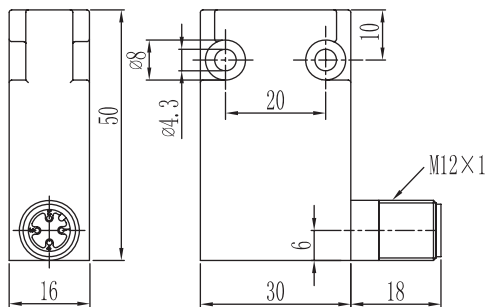
Suffix: -A (cable side exit)



Suffix: -B (cable bottom exit)



Suffix: -C (M12 quick connector side exit 4 pin)
Suffix: -E (M12 quick connector side exit 5 pin)



Suffix: -D (M12 Quick Connector bottom exit 4 pin)
Suffix: -F (M12 Quick Connector bottom exit 5 pin)

