

## GLOBAL STYLE SAFETY LIMIT SWITCHES (MINI PLASTIC BODIED EN50047 TYPE) SMN4 SERIES (SINGLE CONDUIT ENTRY)

*SUNS products as safe and reliable products are being widely used in various mechanical devices.*



### Features

- Glass fiber reinforced plastic body
- Easily interchangeable contact block
- Galvanically separated contacts
- Screw terminals with self-lifting clamps for easy wiring
- Positive Opening of NC contacts
- 4 x 90° actuator positions
- Cable entry available: M20, PG13.5 and 1/2"NPT
- Conform to EN 50047 standard

### Definitions of Operating Characteristics

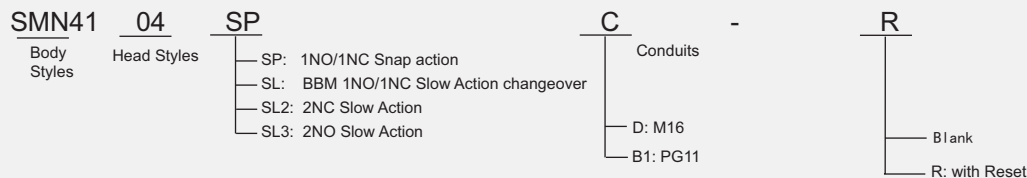
- OF Operating Force
- RF Releasing Force
- OT Overtravel
- TT Total Travel
- PT Pretravel
- MD Movement Differential
- OP Operating Position
- PO Travel to Positive Opening



### Specifications

Operating Speed	0.05mm-2m/sec
Operating Frequency	Mechanical: 120ops/min Electrical: 30 ops/min
Insulation Resistance	>100MΩ@500V DC
Contact Resistance	<25mΩ (initial value)
Rated Current/Voltage	10A/600V AC (EN60947-5-1) AC15 A600 / DC13 Q300
Dielectric Strength	1000VAC for 1 min between current carrying parts 2500VAC for 1 min between non-current carrying parts
Service Life	Mechanically 1.0 x10 <sup>7</sup> (operations) Electrically 5 x10 <sup>5</sup> (operations)
Operating Temperature	-25~+80°C (-13~176°F) with no icing
Humidity	< 95%RH
Weight	40-90g
Degree of Protection	IP66

### Selection Guide:



## GLOBAL STYLE SAFETY LIMIT SWITCHES (MINI PLASTIC BODIED EN50047 TYPE) SMN4 SERIES (SINGLE CONDUIT ENTRY)

### Available contact blocks and travel diagrams



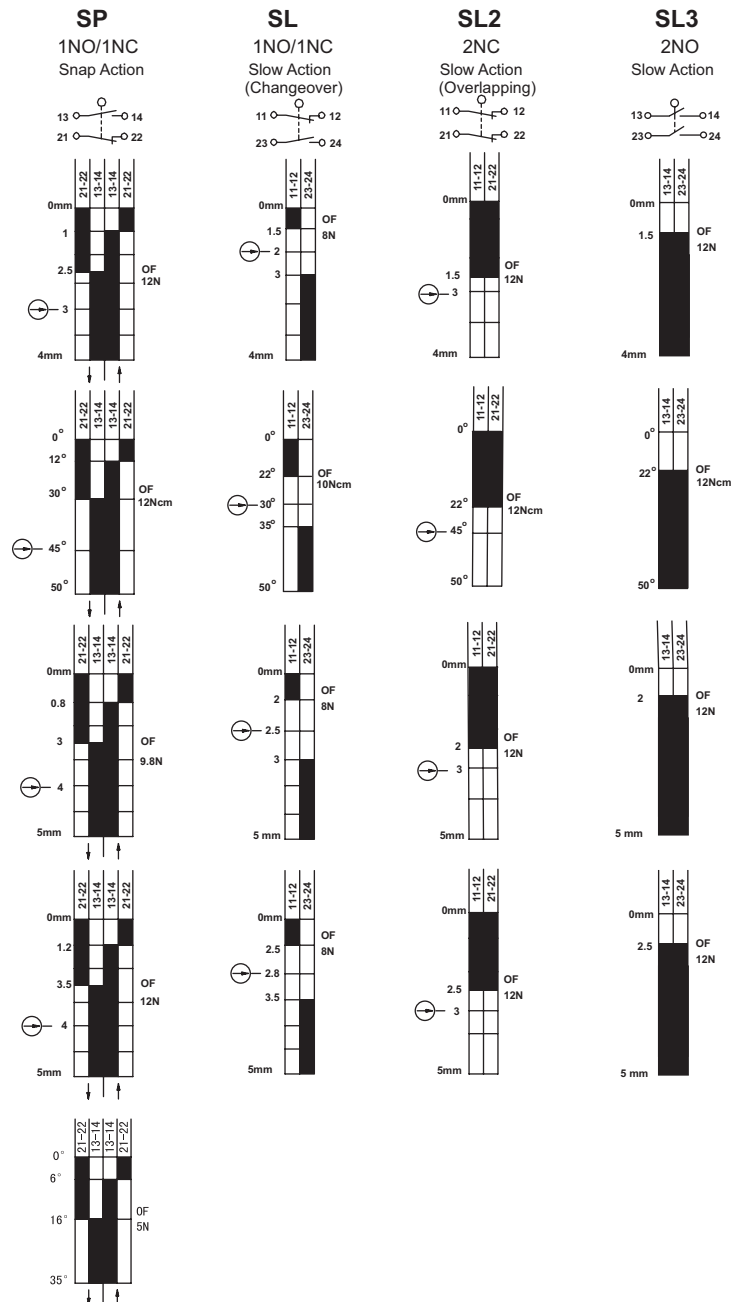
Plunger type  
11, 12, 31, 32 styles

Side rotary type  
04, 07, 08, 14, 18 Styles

62, 63 styles

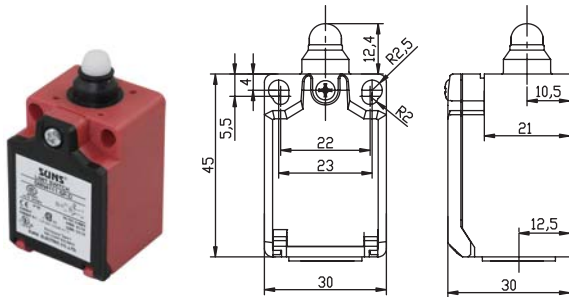
72, 73 styles

00, 66, 69 styles



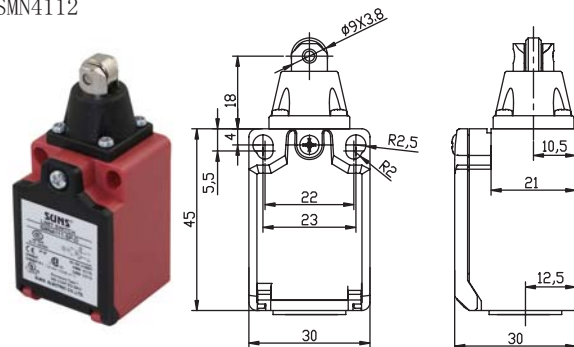
## GLOBAL STYLE SAFETY LIMIT SWITCHES (MINI PLASTIC BODIED EN50047 TYPE) SMN4 SERIES (SINGLE CONDUIT ENTRY)

SMN4111



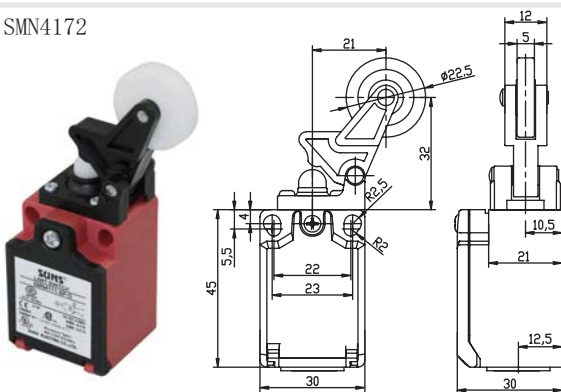
Order Code	Contact block		
SMN4111-SP- _	SP	→	snap action 1NO+1NC
SMN4111-SL- _	SL	→	slow action 1NO+1NC BBM
SMN4111-SL2- _	SL2	→	slow action 2NC
SMN4111-SL3- _	SL3	→	slow action 2NO

SMN4112



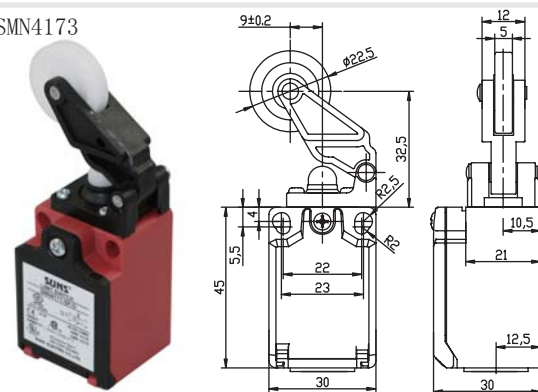
Order Code	Contact block		
SMN4112-SP- _	SP	→	snap action 1NO+1NC
SMN4112-SL- _	SL	→	slow action 1NO+1NC BBM
SMN4112-SL2- _	SL2	→	slow action 2NC
SMN4112-SL3- _	SL3	→	slow action 2NO

SMN4172



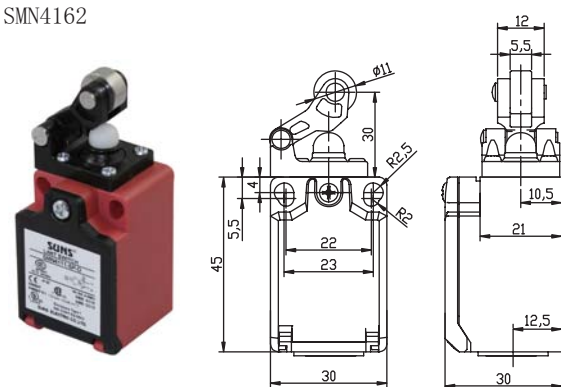
Order Code	Contact block		
SMN4172-SP- _	SP	→	snap action 1NO+1NC
SMN4172-SL- _	SL	→	slow action 1NO+1NC BBM
SMN4172-SL2- _	SL2	→	slow action 2NC
SMN4172-SL3- _	SL3	→	slow action 2NO

SMN4173



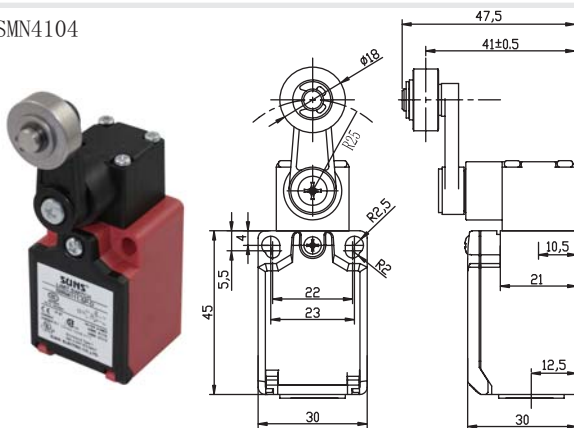
Order Code	Contact block		
SMN4173-SP- _	SP	→	snap action 1NO+1NC
SMN4173-SL- _	SL	→	slow action 1NO+1NC BBM
SMN4173-SL2- _	SL2	→	slow action 2NC
SMN4173-SL3- _	SL3	→	slow action 2NO

SMN4162



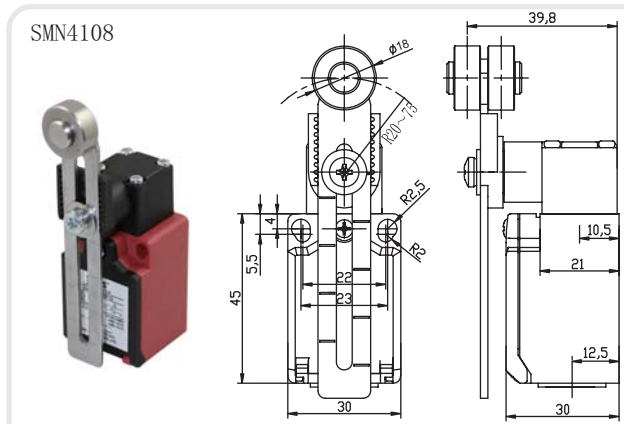
Order Code	Contact block		
SMN4162-SP- _	SP	→	snap action 1NO+1NC
SMN4162-SL- _	SL	→	slow action 1NO+1NC BBM
SMN4162-SL2- _	SL2	→	slow action 2NC
SMN4162-SL3- _	SL3	→	slow action 2NO

SMN4104

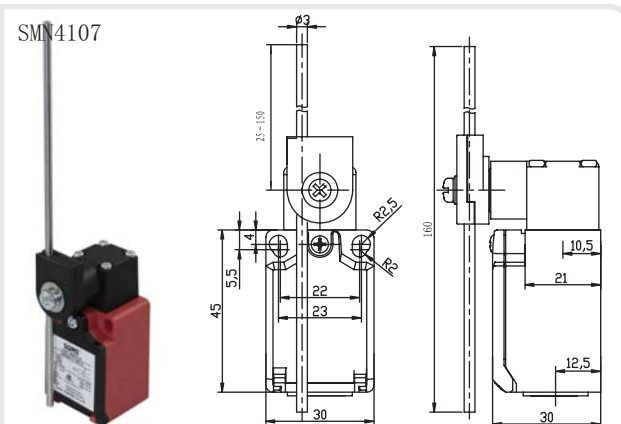


Order Code	Contact block		
SMN4104-SP- _	SP	→	snap action 1NO+1NC
SMN4104-SL- _	SL	→	slow action 1NO+1NC BBM
SMN4104-SL2- _	SL2	→	slow action 2NC
SMN4104-SL3- _	SL3	→	slow action 2NO

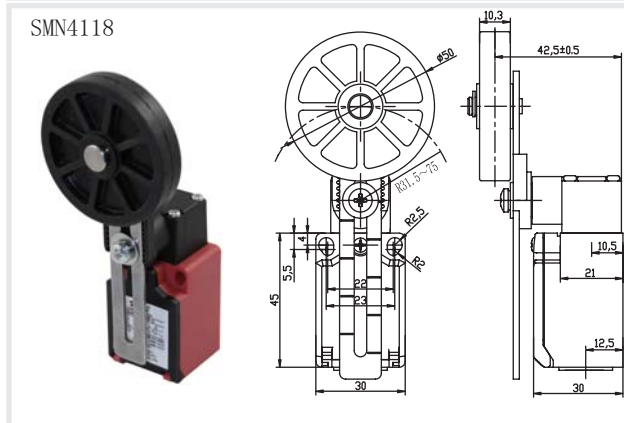
## GLOBAL STYLE SAFETY LIMIT SWITCHES (MINI PLASTIC BODIED EN50047 TYPE) SMN4 SERIES (SINGLE CONDUIT ENTRY)



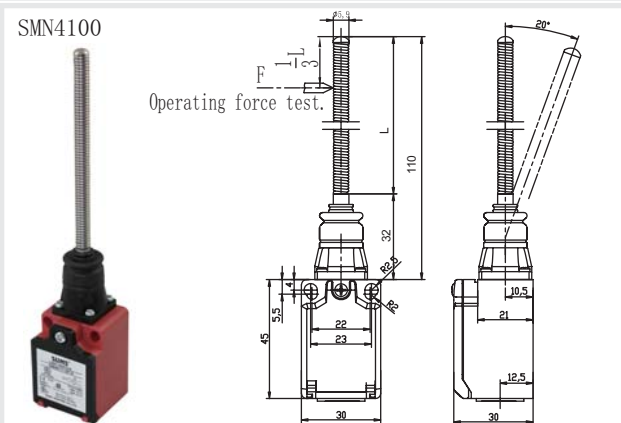
Order Code	Contact block		
SMN4108-SP- _	SP	⊕	snap action 1NO+1NC
SMN4108-SL- _	SL	⊕	slow action 1NO+1NC BBM
SMN4108-SL2- _	SL2	⊕	slow action 2NC
SMN4108-SL3- _	SL3		slow action 2NO



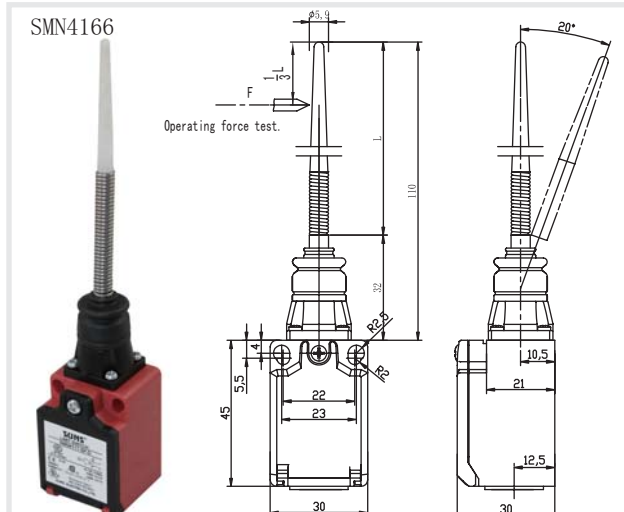
Order Code	Contact block		
SMN4107-SP- _	SP	⊕	snap action 1NO+1NC
SMN4107-SL- _	SL	⊕	slow action 1NO+1NC BBM
SMN4107-SL2- _	SL2	⊕	slow action 2NC
SMN4107-SL3- _	SL3		slow action 2NO



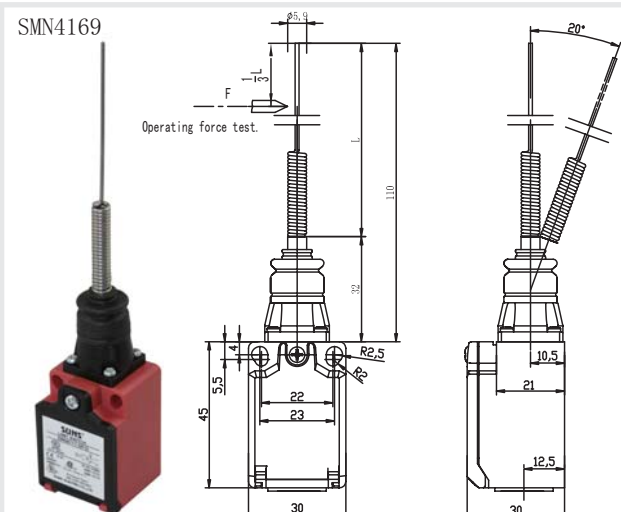
Order Code	Contact block		
SMN4118-SP- _	SP	⊕	snap action 1NO+1NC
SMN4118-SL- _	SL	⊕	slow action 1NO+1NC BBM
SMN4118-SL2- _	SL2	⊕	slow action 2NC
SMN4118-SL3- _	SL3		slow action 2NO



Order Code	Contact block		
SMN4100-SP- _	SP		snap action 1NO+1NC



Order Code	Contact block		
SMN4166-SP- _	SP		snap action 1NO+1NC



Order Code	Contact block		
SMN4169-SP- _	SP		snap action 1NO+1NC