

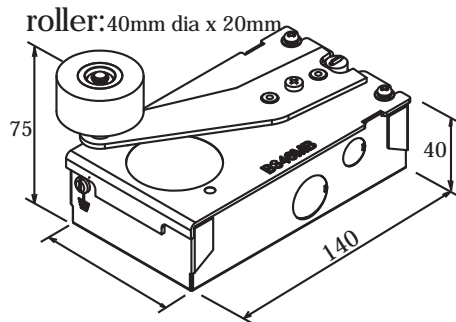
S-6098 LIMIT SWITCHES FOR ELEVATOR APPLICATIONS

Features

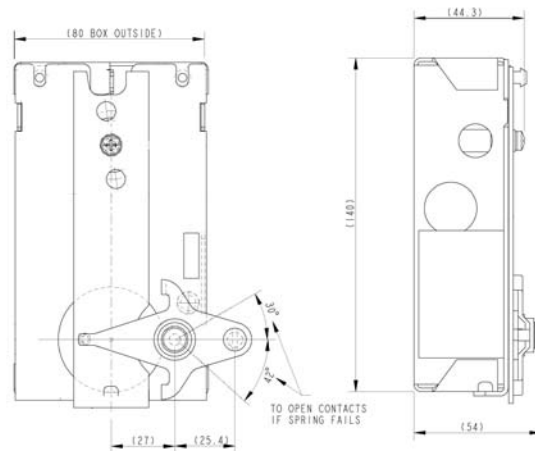
- Zinc plated steel enclosure
- Transparent cover for checking adjusting contacts
- 40mm big rubber roller for quite operation
- Super large contacts with self-clean function for maintenance free operation
- Available in 1NO, 1NC, 2NO, 2NC contact
- Tripper style for safety application



Dimensions: (mm)



S-6098NM



S-6098NR

Available Styles:

Part Number	Contact Type:	Lever Position
S-6098NM1	1NC	As Shown on Picture Above
S-6098NM2	1NC	Opposite
S-6098NM3	2NC	As Shown on Picture Above
S-6098NM4	2NC	Opposite
S-6098NM8	1NO	As Shown on Picture Above
S-6098NM9	1NO	Opposite
S-6098NM10	2NO	As Shown on Picture Above
S-6098NM11	2NO	Opposite
S-6098NR1	1NC	As Shown on Picture Above
S-6098NR2	1NC	Opposite
S-6098NR3	2NC	As Shown on Picture Above
S-6098NR4	2NC	Opposite