

GLOBAL STYLE SAFETY LIMIT SWITCHES (Plastic Bodied EN50041 TYPE) SND6 SERIES (SINGLE CONDUIT ENTRY)



Long standing relationships with the biggest names in Industrial Automation enable our team to deliver competitive products that are innovative and designed for years of reliable performance.

Features

- Glass fiber reinforced plastic body
- Increased wiring space
- Easily interchangeable contact block
- Galvanically separated contacts
- Screw terminals with self-lifting clamps for easy wiring
- Positive Opening of NC contacts
- 4 x 90° actuator positions
- Cable entry available: M20, PG13.5 and 1/2"NPT
- Conform to EN 50041 standard

Definitions of Operating Characteristics

- OF Operating Force
 RF Releasing Force
 OT Overtravel
 TT Total Travel
 PT Pretravel
 MD Movement Differential
 OP Operating Position
 PO Travel to Positive Opening



Specifications

Operating Speed	0.05mm-2m/sec
Operating Frequency	Mechanical: 120ops/min Electrical: 30 ops/min
Insulation Resistance	>100MΩ@500V DC
Contact Resistance	<25mΩ (initial value)
Rated Current/Voltage	10A/600V AC (EN60947-5-1) UL/cUL Listed (E216958) AC15 A600 / DC13 Q300
Dielectric Strength	1000VAC for 1 min between current carrying parts 2500VAC for 1 min between non-current carrying parts
Service Life	Mechanically 1.0 x10 ⁷ (operations) Electrically 5 x10 ⁵ (operations)
Operating Temperature	-25~+80°C (-13~176°F) with no icing
Humidity	< 95%RH
Weight	150-230g for plastic body
Degree of Protection	IP67

Selection Guide:

SND6

Body Styles

04

Head Styles

SP

Contact Block

- SP: 1NO/1NC Snap action
- SPT: 2NO/2NC Snap action
- SL: BBM 1NO/1NC Slow Action changeover
- SL1: MBB 1NO/1NC Slow Action Overlapping
- SL2: 2NC Slow Action
- SL3: 2NO Slow Action
- SL4: 3NC Slow Action
- SL5: 3NO Slow Action
- SL6: BBM 2NC/1NO Slow Action changeover
- SL7: MBB 2NC/1NO Slow Action Overlapping
- SL8: BBM 2NO/1NC Slow Action changeover
- SL9: MBB 2NO/1NC Slow Action Overlapping

C

Conduits

- A: 1/2"NPT
- B: PG13.5
- C: M20

-

R

Blank

R: with Reset

GLOBAL STYLE SAFETY LIMIT SWITCHES (Plastic Bodied EN50041 TYPE)

SND6 SERIES (SINGLE CONDUIT ENTRY)

Available contact blocks and travel diagrams



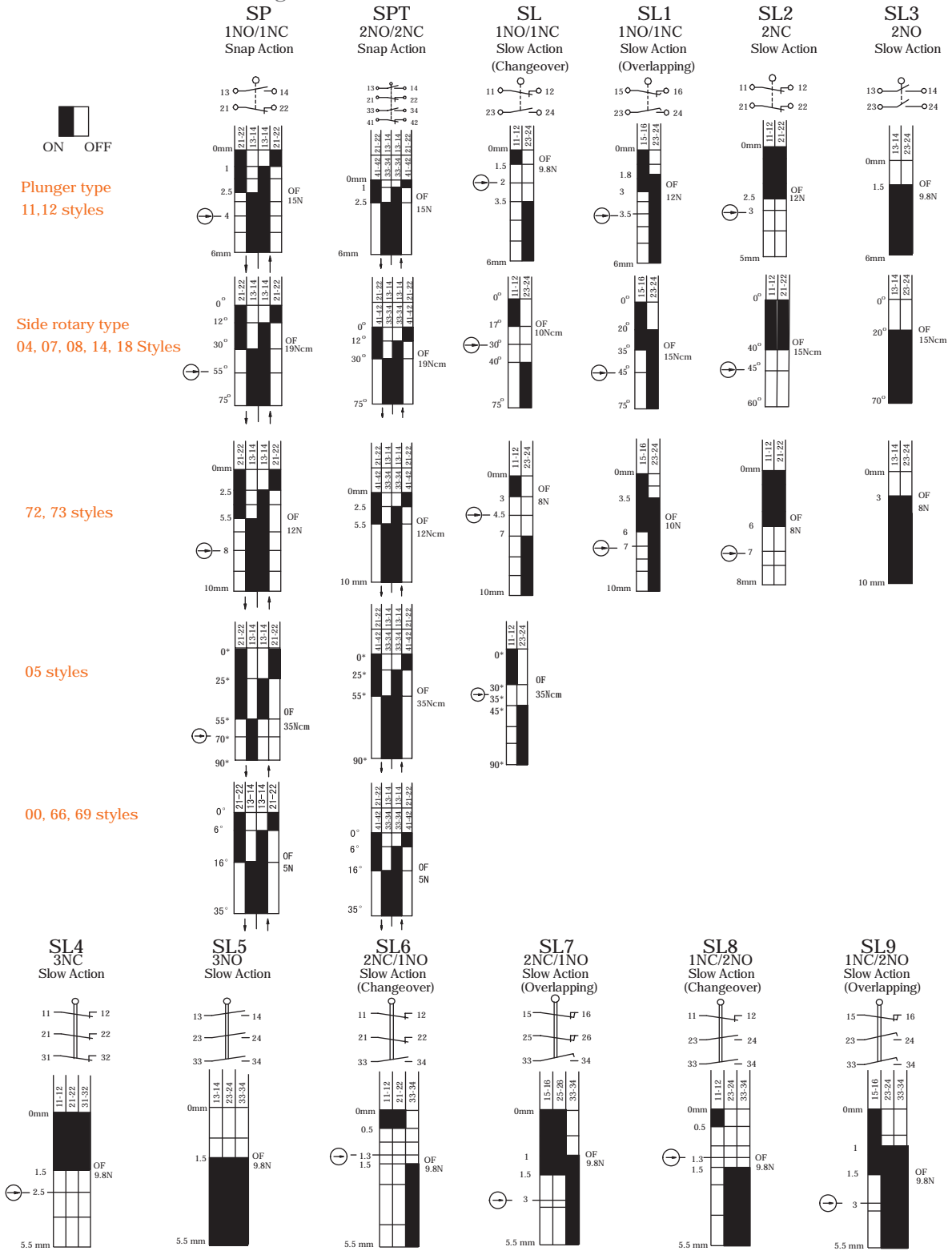
Plunger type
11, 12 styles

Side rotary type
04, 07, 08, 14, 18 Styles

72, 73 styles

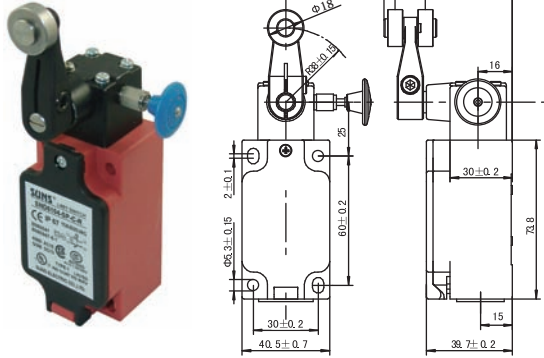
05 styles

00, 66, 69 styles



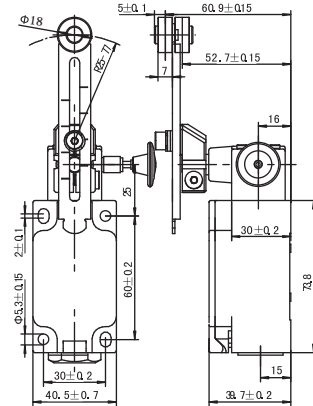
GLOBAL STYLE SAFETY LIMIT SWITCHES (Plastic Bodied EN50041 TYPE) SND6 SERIES (SINGLE CONDUIT ENTRY WITH RESET)

SND6104-R



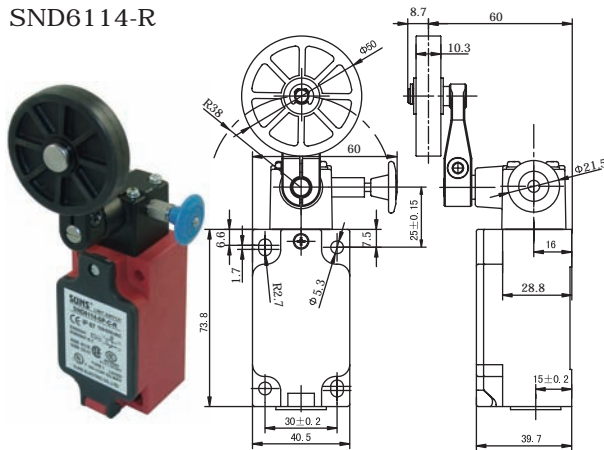
Order Code	Contact block	SP	SL	SL1	SL2	SP	SL	SL1	SL2	SP	SL	SL1	SL2
SND6104-SP- _R	SP	→				snap action				1NO+1NC			
SND6104-SL- _R	SL	→				slow action				1NO+1NC	BBM		
SND6104-SL1- _R	SL1	→				slow action				1NO+1NC	MBB		
SND6104-SL2- _R	SL2	→				slow action				2NC			

SND6108-R



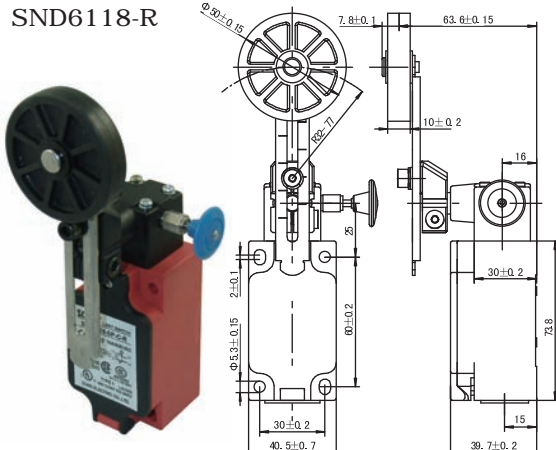
Order Code	Contact block	SP	SL	SL1	SL2	SP	SL	SL1	SL2	SP	SL	SL1	SL2
SND6107-SP- _R	SP	→				snap action				1NO+1NC			
SND6107-SL- _R	SL	→				slow action				1NO+1NC	BBM		
SND6107-SL1- _R	SL1	→				slow action				1NO+1NC	MBB		
SND6107-SL2- _R	SL2	→				slow action				2NC			

SND6114-R



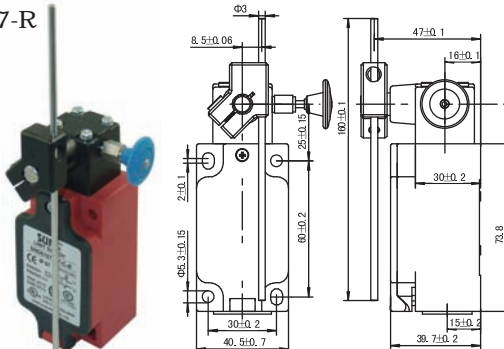
Order Code	Contact block	SP	SL	SL1	SL2	SP	SL	SL1	SL2	SP	SL	SL1	SL2
SND6114-SP- _R	SP	→				snap action				1NO+1NC			
SND6114-SL- _R	SL	→				slow action				1NO+1NC	BBM		
SND6114-SL1- _R	SL1	→				slow action				1NO+1NC	MBB		
SND6114-SL2- _R	SL2	→				slow action				2NC			

SND6118-R



Order Code	Contact block	SP	SL	SL1	SL2	SP	SL	SL1	SL2	SP	SL	SL1	SL2
SND6118-SP- _R	SP	→				snap action				1NO+1NC			
SND6118-SL- _R	SL	→				slow action				1NO+1NC	BBM		
SND6118-SL1- _R	SL1	→				slow action				1NO+1NC	MBB		
SND6118-SL2- _R	SL2	→				slow action				2NC			

SND6107-R



Order Code	Contact block	SP	SL	SL1	SL2	SP	SL	SL1	SL2	SP	SL	SL1	SL2
SND6107-SP- _	SP	→				snap action				1NO+1NC			
SND6107-SL- _	SL	→				slow action				1NO+1NC	BBM		
SND6107-SL1- _	SL1	→				slow action				1NO+1NC	MBB		
SND6107-SL2- _	SL2	→				slow action				2NC			