

GLOBAL STYLE SAFETY LIMIT SWITCHES (PLASTIC BODIED EN50047 TYPE) SND4 SERIES (SINGLE CONDUIT ENTRY)

SUNS products as safe and reliable products are being widely used in various mechanical devices.



Features

- Glass fiber reinforced plastic body
- Easily interchangeable contact block
- Galvanically separated contacts
- Screw terminals with self-lifting clamps for easy wiring
- Positive Opening of NC contacts
- 4 x 90° actuator positions
- Cable entry available: M20, PG13.5 and 1/2"NPT
- Conform to EN 50047 standard

Definitions of Operating Characteristics

OF	Operating Force	
RF	Releasing Force	
OT	Overtravel	
TT	Total Travel	
PT	Pretravel	
MD	Movement Differential	ON OFF
OP	Operating Position	
PO	Travel to Positive Opening	

Specifications

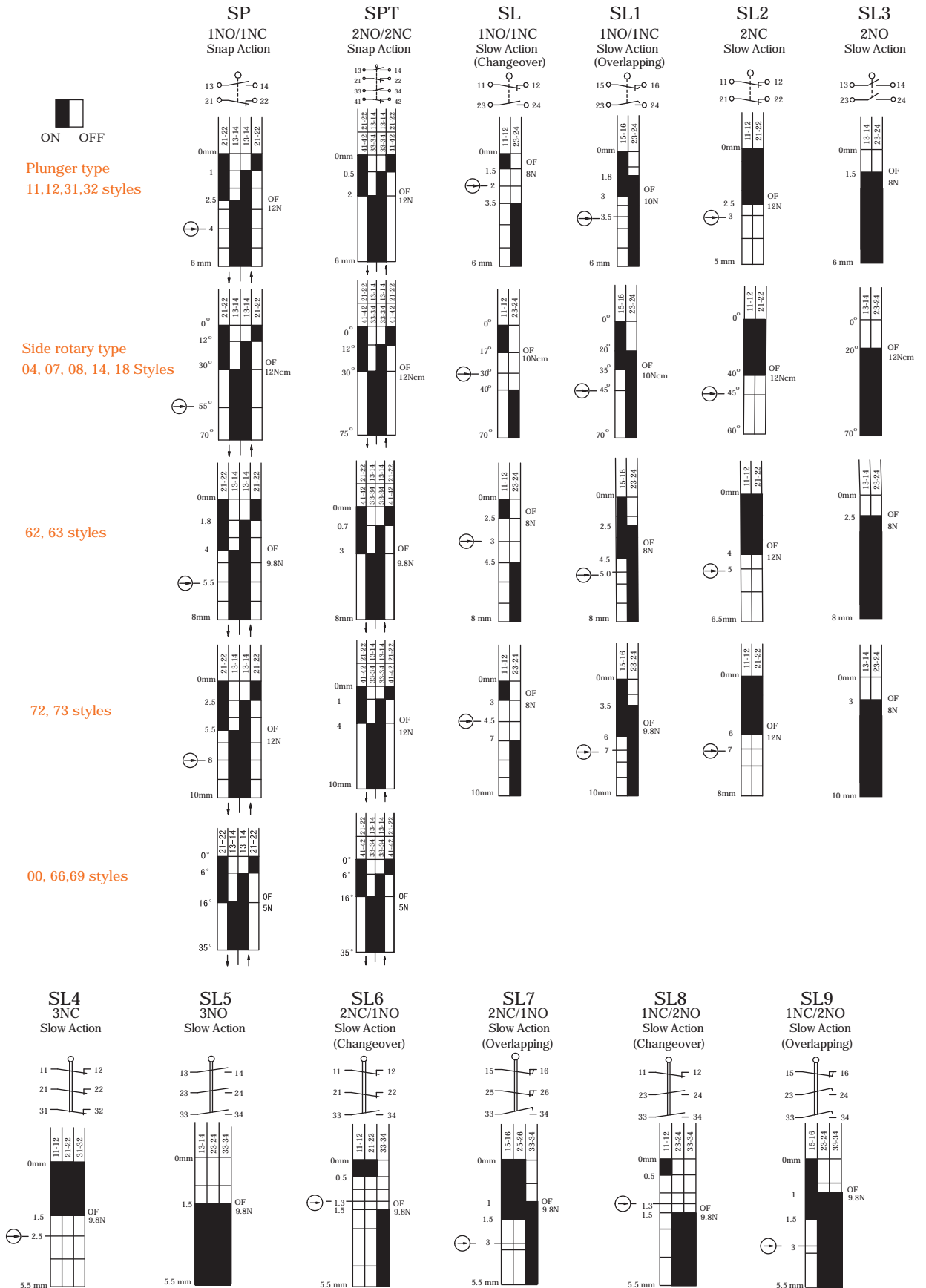
Operating Speed	0.05mm-2m/sec
Operating Frequency	Mechanical: 120ops/min Electrical: 30 ops/min
Insulation Resistance	>100MΩ@500V DC
Contact Resistance	<25mΩ (initial value)
Rated Current/Voltage	10A/600V AC (EN60947-5-1) AC15 A600 / DC13 Q300
Dielectric Strength	1000VAC for 1 min between current carrying parts 2500VAC for 1 min between non-current carrying parts
Service Life	Mechanically 1.0 x10 ⁷ (operations) Electrically 5 x10 ⁵ (operations)
Operating Temperature	-25~+80°C (-13~176°F) with no icing
Humidity	< 95%RH
Weight	50-100g
Degree of Protection	IP67

Selection Guide:

SND41	04	SP	C	R
Body Styles	Head Styles	<ul style="list-style-type: none"> — SP: 1NO/1NC Snap action — SPT: 2NO/2NC Snap action — SL: BBM 1NO/1NC Slow Action changeover — SL1: MBB 1NO/1NC Slow Action Overlapping — SL2: 2NC Slow Action — SL3: 2NO Slow Action — SL4: 3NC Slow Action — SL5: 3NO Slow Action — SL6: BBM 2NC/1NO Slow Action changeover — SL7: MBB 2NC/1NO Slow Action Overlapping — SL8: BBM 2NO/1NC Slow Action changeover — SL9: MBB 2NO/1NC Slow Action Overlapping 	<ul style="list-style-type: none"> — Conduits — A: 1/2"NPT — B: PG13.5 — C: M20 — D: M16 — B1: PG11 	<ul style="list-style-type: none"> — Blank — R: with Reset

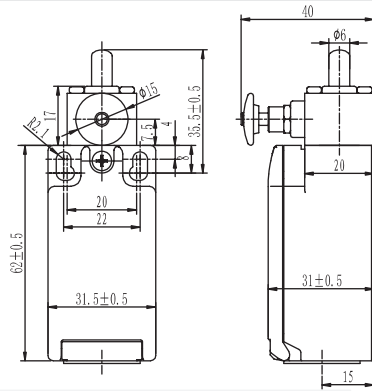
GLOBAL STYLE SAFETY LIMIT SWITCHES (PLASTIC BODIED EN50047 TYPE) SND4 SERIES (SINGLE CONDUIT ENTRY)

Available contact blocks and travel diagrams



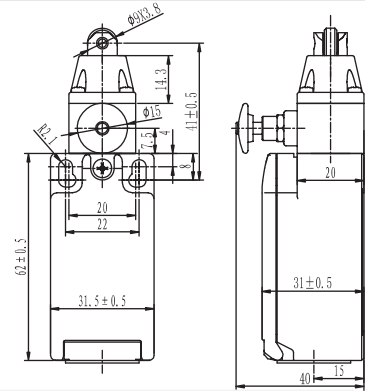
GLOBAL STYLE SAFETY LIMIT SWITCHES (PLASTIC BODIED EN50047 TYPE) SND4 SERIES (SINGLE CONDUIT ENTRY WITH RESET)

SND4111-R



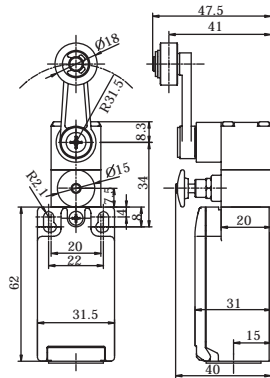
Order Code	Contact block		
SND4111-SP- _R	SP	↻	snap action 1NO+1NC
SND4111-SL- _R	SL	↻	slow action 1NO+1NC BBM
SND4111-SL1- _R	SL1	↻	slow action 1NO+1NC MBB
SND4111-SL2- _R	SL2	↻	slow action 2NC

SND4112-R



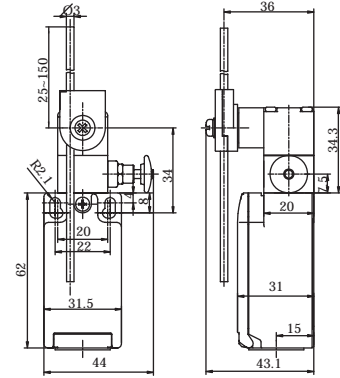
Order Code	Contact block		
SND4112-SP- _R	SP	↻	snap action 1NO+1NC
SND4112-SL- _R	SL	↻	slow action 1NO+1NC BBM
SND4112-SL1- _R	SL1	↻	slow action 1NO+1NC MBB
SND4112-SL2- _R	SL2	↻	slow action 2NC

SND4104-R



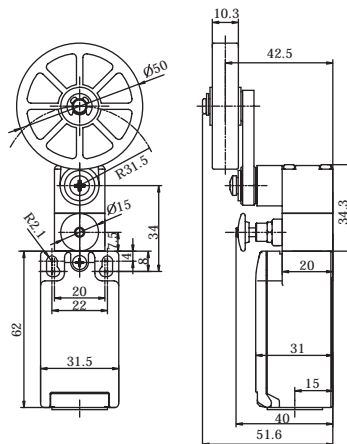
Order Code	Contact block		
SND4104-SP- _R	SP	↻	snap action 1NO+1NC
SND4104-SL- _R	SL	↻	slow action 1NO+1NC BBM
SND4104-SL1- _R	SL1	↻	slow action 1NO+1NC MBB
SND4104-SL2- _R	SL2	↻	slow action 2NC

SND4107-R



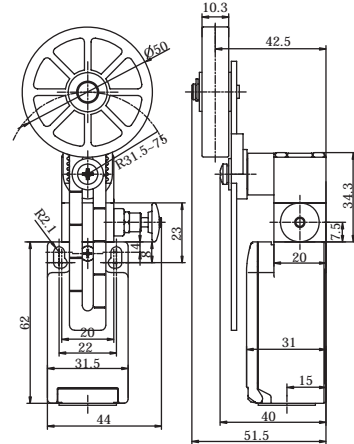
Order Code	Contact block		
SND4107-SP- _R	SP	↻	snap action 1NO+1NC
SND4107-SL- _R	SL	↻	slow action 1NO+1NC BBM
SND4107-SL1- _R	SL1	↻	slow action 1NO+1NC MBB
SND4107-SL2- _R	SL2	↻	slow action 2NC

SND4114-R



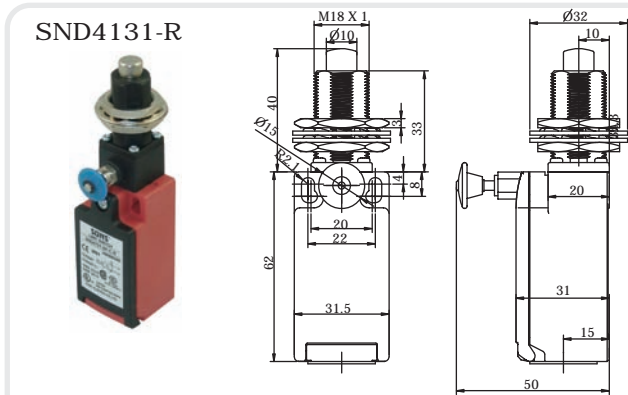
Order Code	Contact block		
SND4114-SP- _R	SP	↻	snap action 1NO+1NC
SND4114-SL- _R	SL	↻	slow action 1NO+1NC BBM
SND4114-SL1- _R	SL1	↻	slow action 1NO+1NC MBB
SND4114-SL2- _R	SL2	↻	slow action 2NC

SND4118-R

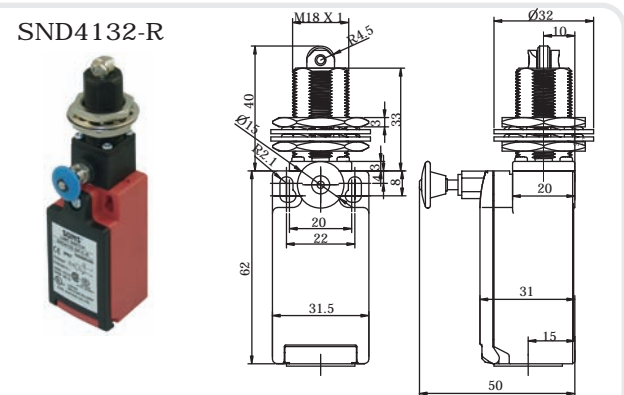


Order Code	Contact block		
SND4118-SP- _R	SP	↻	snap action 1NO+1NC
SND4118-SL- _R	SL	↻	slow action 1NO+1NC BBM
SND4118-SL1- _R	SL1	↻	slow action 1NO+1NC MBB
SND4118-SL2- _R	SL2	↻	slow action 2NC

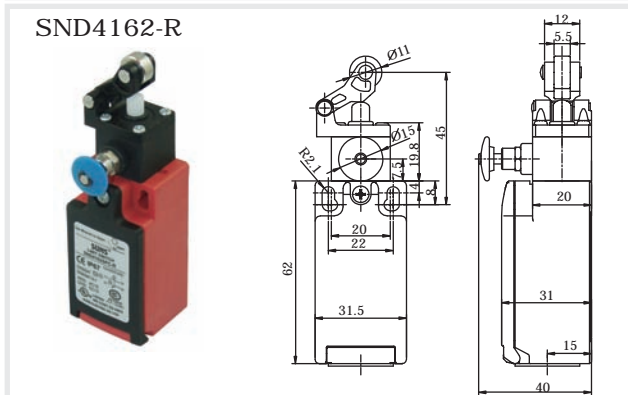
GLOBAL STYLE SAFETY LIMIT SWITCHES (PLASTIC BODIED EN50047 TYPE) SND4 SERIES (SINGLE CONDUIT ENTRY WITH RESET)



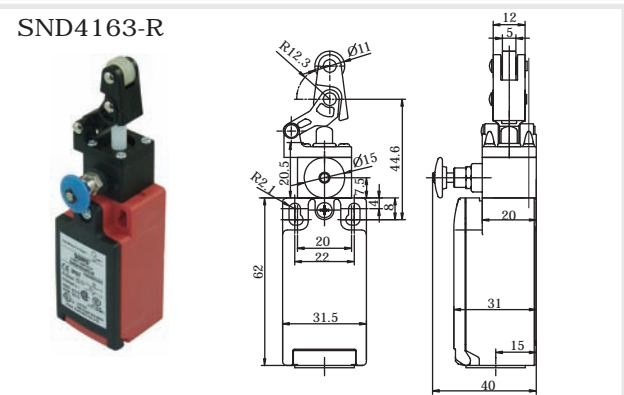
Order Code	Contact block		
SND4131-SP- _R	SP	↻	snap action 1NO+1NC
SND4131-SL- _R	SL	↻	slow action 1NO+1NC BBM
SND4131-SL1- _R	SL1	↻	slow action 1NO+1NC MBB
SND4131-SL2- _R	SL2	↻	slow action 2NC



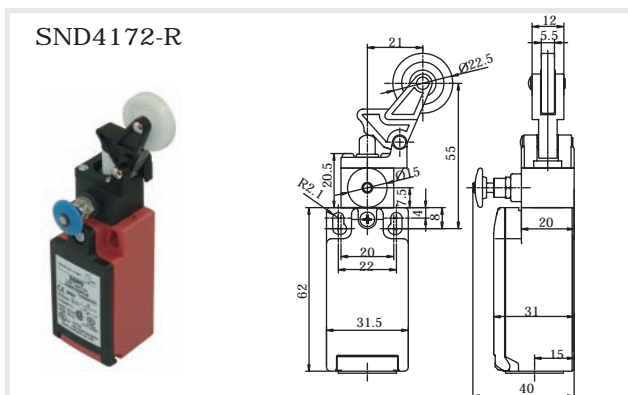
Order Code	Contact block		
SND4132-SP- _R	SP	↻	snap action 1NO+1NC
SND4132-SL- _R	SL	↻	slow action 1NO+1NC BBM
SND4132-SL1- _R	SL1	↻	slow action 1NO+1NC MBB
SND4132-SL2- _R	SL2	↻	slow action 2NC



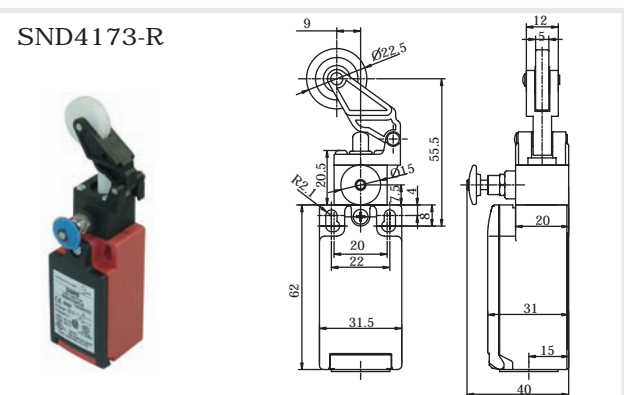
Order Code	Contact block		
SND4162-SP- _R	SP	↻	snap action 1NO+1NC
SND4162-SL- _R	SL	↻	slow action 1NO+1NC BBM
SND4162-SL1- _R	SL1	↻	slow action 1NO+1NC MBB
SND4162-SL2- _R	SL2	↻	slow action 2NC



Order Code	Contact block		
SND4163-SP- _R	SP	↻	snap action 1NO+1NC
SND4163-SL- _R	SL	↻	slow action 1NO+1NC BBM
SND4163-SL1- _R	SL1	↻	slow action 1NO+1NC MBB
SND4163-SL2- _R	SL2	↻	slow action 2NC

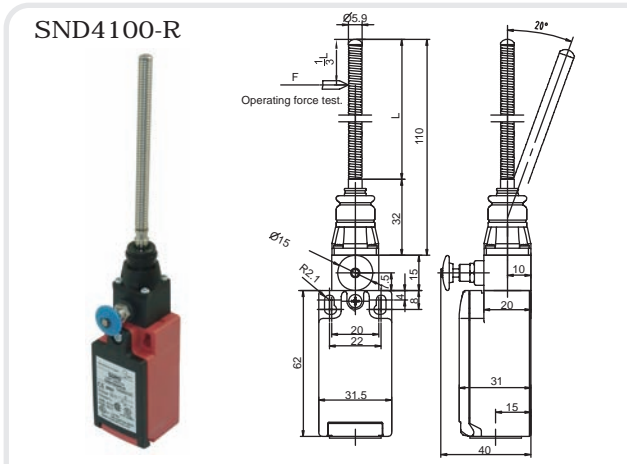


Order Code	Contact block		
SND4172-SP- _R	SP	↻	snap action 1NO+1NC
SND4172-SL- _R	SL	↻	slow action 1NO+1NC BBM
SND4172-SL1- _R	SL1	↻	slow action 1NO+1NC MBB
SND4172-SL2- _R	SL2	↻	slow action 2NC

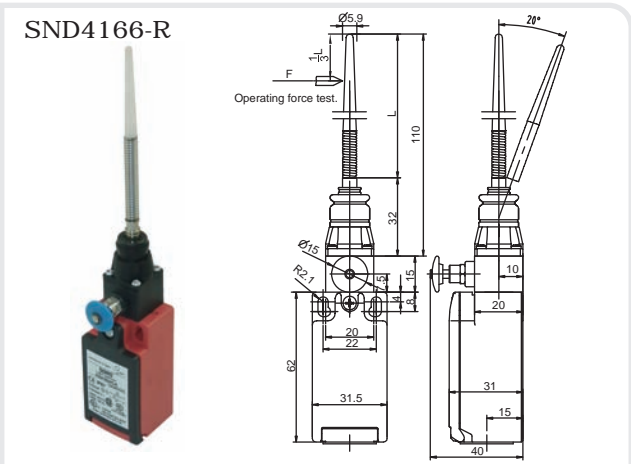


Order Code	Contact block		
SND4173-SP- _R	SP	↻	snap action 1NO+1NC
SND4173-SL- _R	SL	↻	slow action 1NO+1NC BBM
SND4173-SL1- _R	SL1	↻	slow action 1NO+1NC MBB
SND4173-SL2- _R	SL2	↻	slow action 2NC

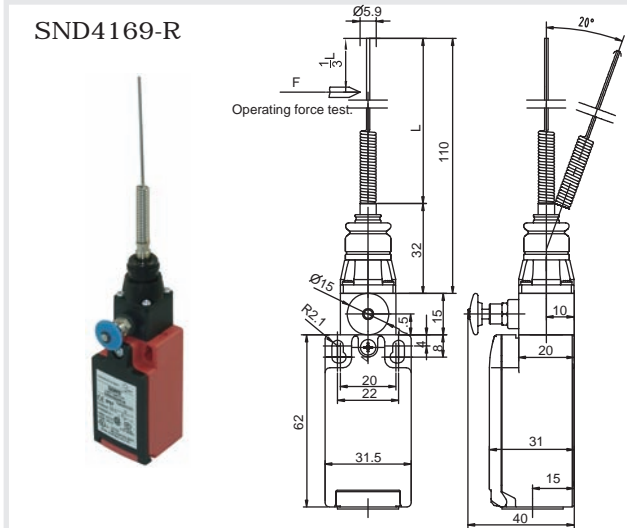
GLOBAL STYLE SAFETY LIMIT SWITCHES (PLASTIC BODIED EN50047 TYPE) SND4 SERIES (SINGLE CONDUIT ENTRY WITH RESET)



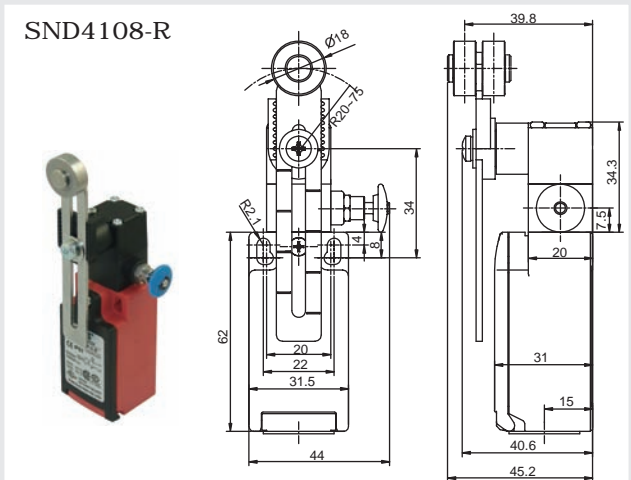
Order Code
SND4100-SP-_-R SP snap action 1NO+1NC



Order Code
SND4166-SP-_-R SP snap action 1NO+1NC

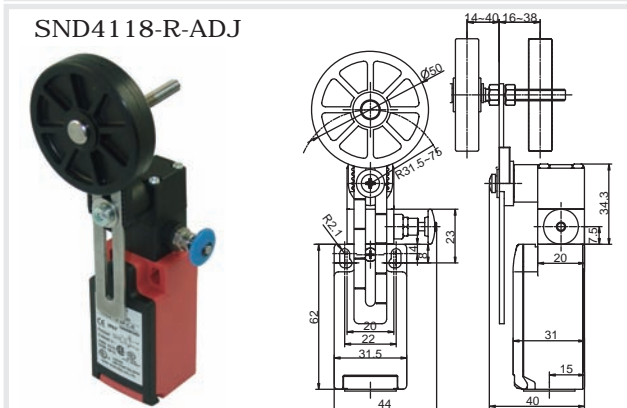


Order Code
SND4169-SP-_-R SP snap action 1NO+1NC



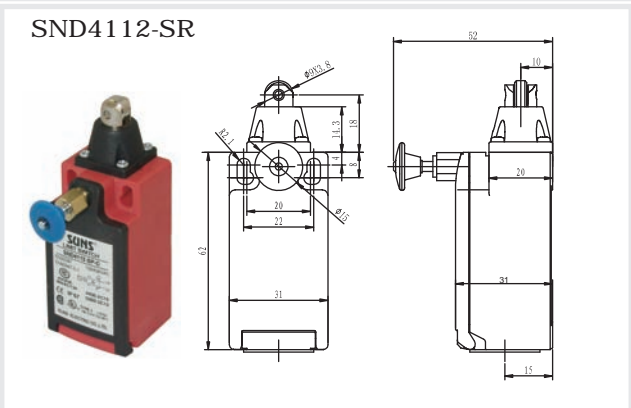
Order Code **Contact block**

SND4108-SP-_R	SP	⊕	snap action	1NO+1NC
SND4108-SL-_R	SL	⊕	slow action	1NO+1NC BBM
SND4108-SL1-_R	SL1	⊕	slow action	1NO+1NC MBB
SND4108-SL2-_R	SL2	⊕	slow action	2NC



Order Code **Contact block**

SND4118-SP- R-ADJ	SP	⊕	snap action	1NO+1NC
SND4118-SL-R-ADJ	SL	⊕	slow action	1NO+1NC BBM
SND4118-SL1-R-ADJ	SL1	⊕	slow action	1NO+1NC MBB
SND4118-SL2-R-ADJ	SL2	⊕	slow action	2NC



Order Code **Contact block**

SND4112-SP-SR	SP	⊕	snap action	1NO+1NC
SND4112-SL-SR	SL	⊕	slow action	1NO+1NC BBM
SND4112-SL1-SR	SL1	⊕	slow action	1NO+1NC MBB
SND4112-SL2-SR	SL2	⊕	slow action	2NC

GLOBAL STYLE SAFETY LIMIT SWITCHES (PLASTIC BODIED EN50047 TYPE) SND4 SERIES (SINGLE CONDUIT ENTRY WITH RESET)

SND4107-SR

Order Code	Contact block	SP	SL	SL1	SL2	Action	Contacts
SND4107-SP- _SR	SP	+				snap action	1NO+1NC
SND4107-SL- _SR	SL		+			slow action	1NO+1NC BBM
SND4107-SL1- _SR	SL1			+		slow action	1NO+1NC MBB
SND4107-SL2- _SR	SL2				+	slow action	2NC

SND4108-SR

Order Code	Contact block	SP	SL	SL1	SL2	Action	Contacts
SND4108-SP- _SR	SP	+				snap action	1NO+1NC
SND4108-SL- _SR	SL		+			slow action	1NO+1NC BBM
SND4108-SL1- _SR	SL1			+		slow action	1NO+1NC MBB
SND4108-SL2- _SR	SL2				+	slow action	2NC

SND4114-SR

Order Code	Contact block	SP	SL	SL1	SL2	Action	Contacts
SND4114-SP- _SR	SP	+				snap action	1NO+1NC
SND4114-SL- _SR	SL		+			slow action	1NO+1NC BBM
SND4114-SL1- _SR	SL1			+		slow action	1NO+1NC MBB
SND4114-SL2- _SR	SL2				+	slow action	2NC

SND4104-SR

Order Code	Contact block	SP	SL	SL1	SL2	Action	Contacts
SND4104-SP- _SR	SP	+				snap action	1NO+1NC
SND4104-SL- _SR	SL		+			slow action	1NO+1NC BBM
SND4104-SL1- _SR	SL1			+		slow action	1NO+1NC MBB
SND4104-SL2- _SR	SL2				+	slow action	2NC

SND4118-SR-ADJ

Order Code	Contact block	SP	SL	SL1	SL2	Action	Contacts
SND4118-SP- SR-ADJ	SP	+				snap action	1NO+1NC
SND4118-SL-SR-ADJ	SL		+			slow action	1NO+1NC BBM
SND4118-SL1-SR-ADJ	SL1			+		slow action	1NO+1NC MBB
SND4118-SL2-SR-ADJ	SL2				+	slow action	2NC

SND4118-SR

Order Code	Contact block	SP	SL	SL1	SL2	Action	Contacts
SND4118-SP- _SR	SP	+				snap action	1NO+1NC
SND4118-SL- _SR	SL		+			slow action	1NO+1NC BBM
SND4118-SL1- _SR	SL1			+		slow action	1NO+1NC MBB
SND4118-SL2- _SR	SL2				+	slow action	2NC