

## Medical Grade USB Foot Switches

The USB foot switch is an additional input device that provides a more comfortable and convenient way to work with computers. Users can program a unique key or multiple keys by software to assign to the foot switches.

### Features

- Available in Single, Twin & 3-Pedals  
(If more than 3 pedal needs, two foot switches can be used)
- Pre-program key functions on the foot pedal by software
- Only requires a USB interface
- Compatible with Windows OS 2000/XP/Vista/7
- Available with medical grade waterproof pedals
- Comes with CD-Rom for setting pedal(s) functions

### Specifications

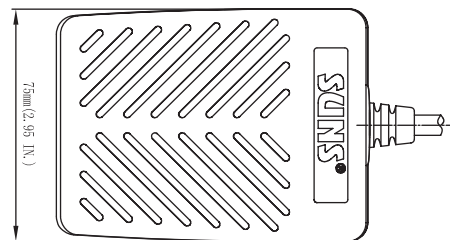
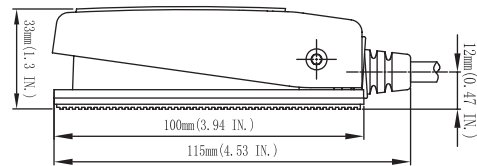
Operating Frequency	60 ops/min
Insulation Resistance	>100MΩ@500V DC
Contact Resistance	<25mΩ
Service Life	Mechanically 1 x 10 <sup>6</sup> (operations)
Operating Temperature	-30~+80°C (-22~176°F)
Degree of Protection	IP20/NEMA 1 or IPX8/NEMA 4,4X,6,6P

### Selection Guide:

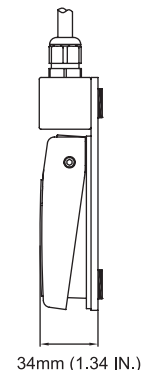
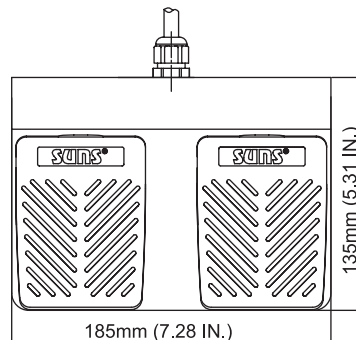
<b>FS81 - SP</b>	-	<b>M</b>	-	<b>K</b>	-	<b>Twin</b>	-	<b>USB</b>	-	_____
Switch Type		Pedal Material		Options		Options				Wiring Information (standard with 2m cable)
SP: Snap action (IPx8)		Blank: Fiber reinforced plastic		Blank:		Blank: single pedal				
SL: Slow action (IPx8)		M: Die cast zinc		K: Gold plated		Twin: 2-pedal				
10: Snap action (IP20)						3-pedal				

### Dimensions:

FS-81-10-USB (IP20)  
FS-81-SP-USB (IPX8)

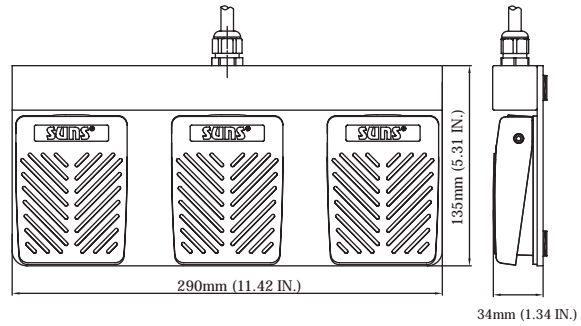


FS-81-10-(Twin)-USB (IP20)  
FS-81-SP-(Twin)-USB (IPX8)

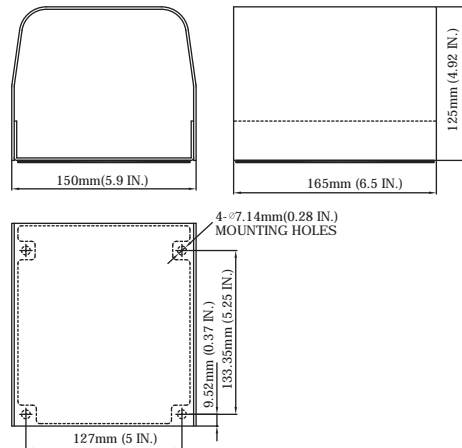


## Medical Grade USB Foot Switches

FS-81-10-(3-Pedal)-USB (IP20)  
 FS-81-SP-(3-Pedal)-USB (IP68)



FS-1G (Orange color)  
 FS-1G-W (Medical white)  
 FS-1G-SS (Stainless steel)



FS-TG (Orange color)  
 FS-TG-W (Medical white)  
 FS-TG-SS (Stainless steel)

