

FS-6 Series Medical Foot Switches

Features

- Robust aluminum alloy die cast body
- Galvanically separated contacts
- Screw terminals with self-lifting clamps for easy wiring
- Positive Opening of NC contacts
- UL/CSA/CE and CCC approved
- Threaded hole available in:
PG13.5, M20x1.5 and 1/2NPT

Specifications

Operating Frequency	60 ops/min
Insulation Resistance	>100MΩ@500V DC
Contact Resistance	<25mΩ
Rated Current/Voltage	10A/600V AC A600/AC15 Q300/DC13
Inrush Current	Complies with IEC947-5-1: AC15/DC13
Dielectric Strength	1000VAC for 1 min between current carrying parts 2500VAC for 1 min between non-current carrying parts
Service Life	Mechanically 1 x 10 ⁶ (operations) Electrically 5 x 10 ⁵ (operations)
Operating Temperature	-30~+80°C (-22~176°F)
Degree of Protection	IP65/NEMA 2,4,13 (IP68/NEMA 6,6P available on request)

Selection Guide:

FS-61	-	G	-	SP	-	T	-	C
Number of Pedals		Guarding Options		Switch Type		Switch Configuration		Options
61: Single pedal 62: Dual pedal		Blank: No guard G: Fully guarded		SP: 10A snap action SL: 10A slow action 1K: 1K potentiometer 5K: 5 K potentiometer 10K: 10K potentiometer		Blank: SPDT T: DPDT S: 2 stages		K: Gold plated contacts
Conduit Type								
A: 1/2NPT B: PG13.5 C: M20 x1.5								

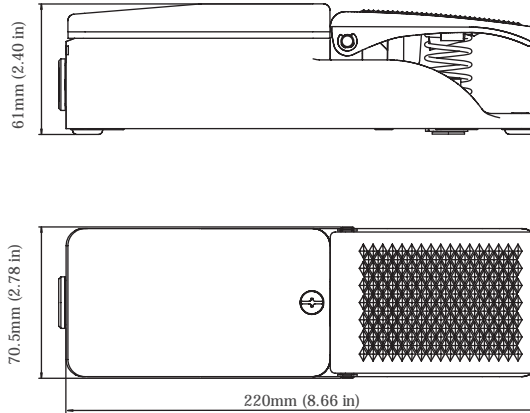
* Standard color: Pedal:Black; Base: Black; Cover: Orange

Dimensions:

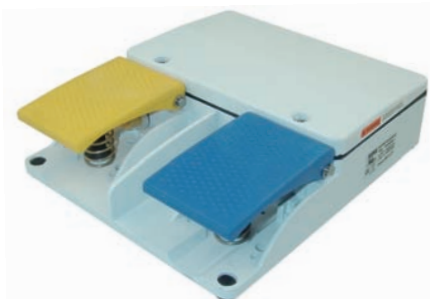
FS-61-SP



* Color code:
(e.g. suffix: -U/W for blue pedal and medical white base)



FS-62-SP



* Color code:
(e.g. suffix: -YU/W for yellow/blue pedal and medical white base)

