

## FS-6 Series Safety Foot Switches

### Features

- Robust aluminum alloy die cast body
- Choice of different type of contact blocks
- Galvanically separated contacts
- Double break contacts
- Screw terminals with self-lifting clamps for easy wiring
- Positive opening of NC contacts
- Safety reset option available
- UL/cUL approval(E216958)
- Threaded hole available in:  
PG13.5, M20x1.5 and 1/2NPT

### Specifications

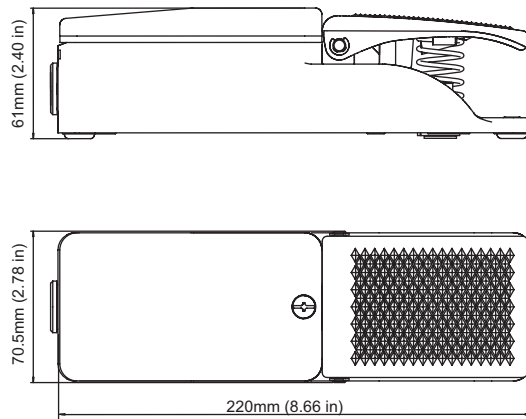
Operating Frequency	60 ops/min
Insulation Resistance	>100MΩ@500V DC
Contact Resistance	<25mΩ
Rated Current/Voltage	10A/600V AC A600/AC15 Q300/DC13
Inrush Current	Complies with IEC947-5-1: AC15/DC13
Dielectric Strength	1000VAC for 1 min between current carrying parts 2500VAC for 1 min between non-current carrying parts
Service Life	Mechanically 1 x 10 <sup>6</sup> (operations) Electrically 5 x 10 <sup>5</sup> (operations)
Operating Temperature	-30~+80°C (-22~176°F)
Degree of Protection	IP65, NEMA type 2, 4, 13 (IP68, NEMA type 6, 6P available on request)

### Selection Guide:

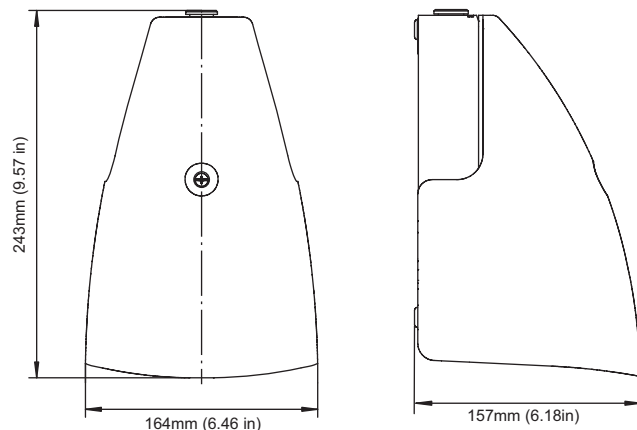
FS - 61 - G - SP - - - - -	Number of Pedals	Guarding Options	Switch Type	Special Features	Switch Configuration	Options	Conduit Type
61: Single pedal	Blank: No guard	SP: Snap action	Blank:	Blank: SPDT	Blank: SPDT	Blank:	A: 1/2NPT
62: Dual pedals	G: Fully guarded	SL: Slow action break before make	A: Anti-tripped	T: DPDT	T: DPDT	K: Gold plated contacts	B: PG13.5
		SL1: Slow action make before break		S: 2 stages	S: 2 stages		C: M20 x1.5

### Dimensions:

- FS-61-SP-C (snap action, M20)
- FS-61-SP-A (snap action, 1/2NPT)
- FS-61-SP-T-C (snap action, DPDT, M20)



- FS-61G-SP-C (snap action, M20)
- FS-61G-SP-A (snap action, 1/2NPT)

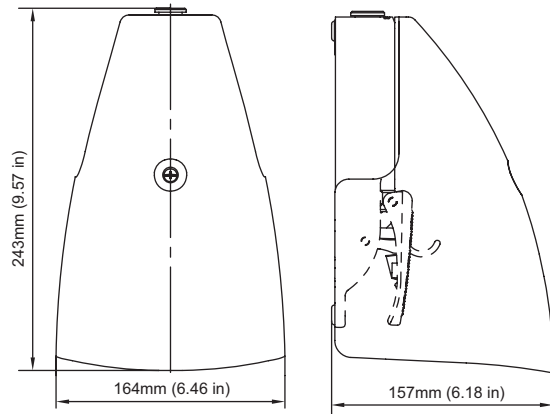


## FS-6 Series Safety Foot Switches

### Dimensions:

**FS-61G-SP-A-A** (snap action, anti-trip, 1/2NPT)

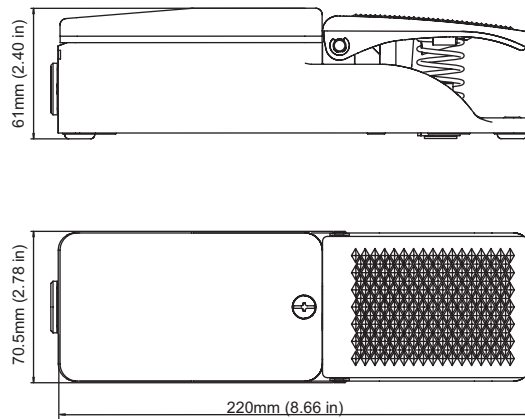
**FS-61G-SP-A-C** (snap action, anti-trip, M20)



### 2-Stage with Pressure Point

**FS-61-SP-S-C** (snap action, 2-stage, M20)

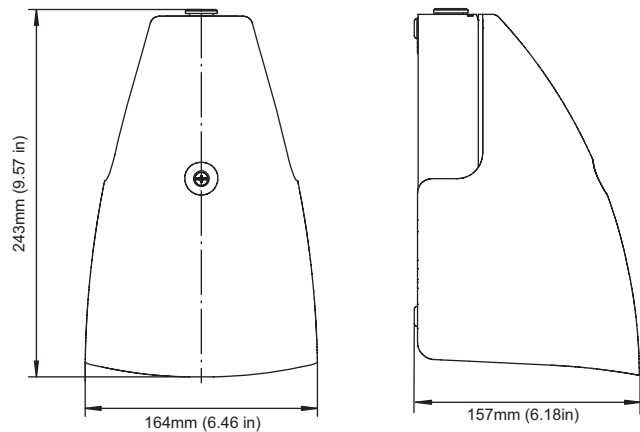
**FS-61-SP-S-A** (snap action, 2-stage, 1/2NPT)



### 2-Stage with Pressure Point

**FS-61G-SP-S-C** (snap action, 2-stage, M20)

**FS-61G-SP-S-A** (snap action, 2-stage, 1/2NPT)

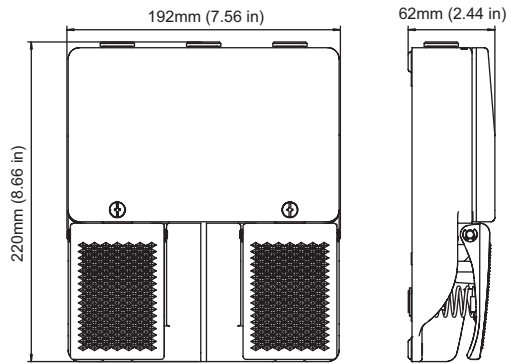


## FS-6 Series Safety Foot Switches

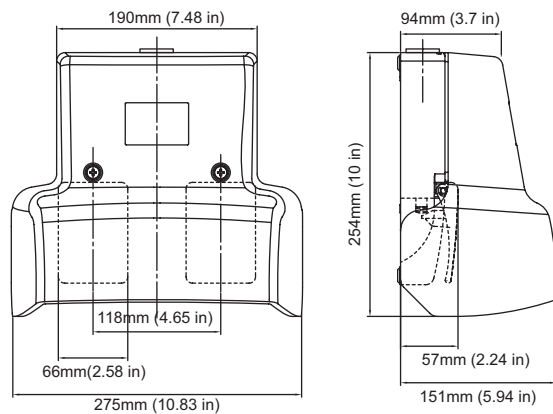
### Dual Pedals Safety Foot Switches

#### Dimensions:

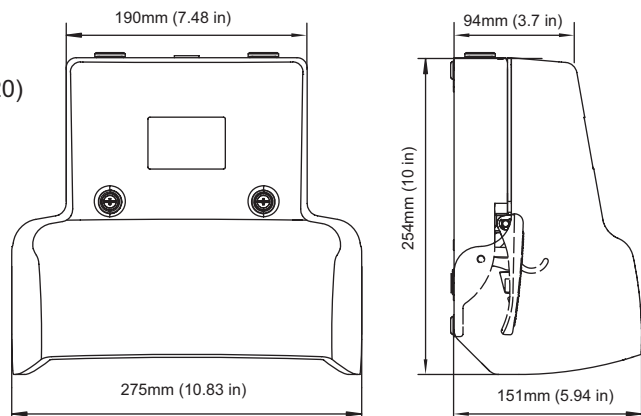
- FS-62-SP-C (snap action, M20)
- FS-62-SP-A (snap action, 1/2NPT)
- FS-62-SP-T-C (snap action, DPDT, M20)
- FS-62-SP-S-C (snap action, 2-Stage, M20)



- FS-62G-SP-C (snap action, M20)
- FS-62G-SP-A (snap action, 1/2NPT)
- FS-62G-SP-T-C (snap action, DPDT, M20)
- FS-62G-SP-S-C (snap action, 2-Stage, M20)



- FS-62G-SP-A-C (snap action, anti-trip, M20)
- FS-62G-SP-A-A (snap action, anti-trip, 1/2NPT)
- FS-62G-SP-AT-C (snap action, anti-trip, DPDT, M20)
- FS-62G-SP-AS-C (snap action, anti-trip, 2-Stage, M20)

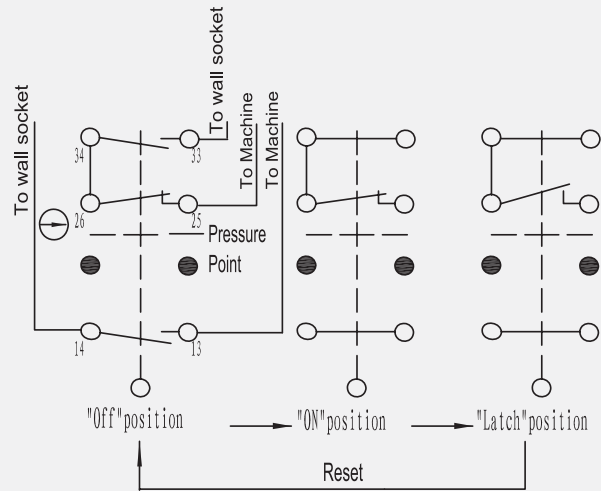


## FS-6 Series Safety Foot Switches with Emergency Stop

### Features

This is a special design foot switch with two stage momentary contacts. There are noticeable resistance between stage one and stage two. When pressing the pedal without reaching the pressure point, the foot switch operates in the normal model. In case of emergency, the user depresses the foot pedal even harder instead of releasing the pedal. This special safety foot switch will break electrical contact and locked. The manual reset button need to be pushed before it can operate in normal model. This can quickly prevent damage to the machine or injury to human life.

### Wiring Diagram

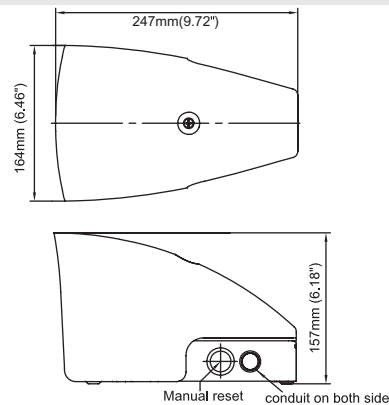


### Operating Sequence:

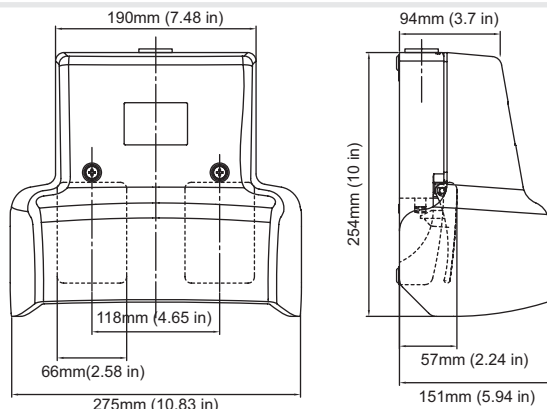
- "OFF"** **Step 1:** The pedal is not depressed. The contacts are open. The machine is turned off.
- "ON"** **Step 2:** To start the machine, the pedal must be depressed until the "pressure point", where resistance is noticeable.
- "EMERGENCY - OFF"** **Step 3:** In an emergency, if the pedal is depressed beyond the pressure point, the machine will stop. Beyond the pressure point, the contacts are locked in the "OFF" - Position. The machine cannot operate at this time. Note: The machine can also be stopped, by releasing the pedal instead of depressing harder. (Back to Step 1)
- "RESET"** **Step 4:** The push button on the side of the foot switch must be pushed by hand to enable the foot switch to start the machine function again.
- "ON"** **Step 5:** Return to condition described in Step 2.

### Dimensions:

**FS-61G-SP-\_R**



**FS-62G-SP-\_R**



## FSC-6 Series Specialty Foot Switches

### Features

- Robust aluminum alloy die cast body
- Three special styles:
  - High current carrying capacity
  - AC variable speed control
  - Push-on/push-off
- UL/cUL approval(E321073)
- Threaded hole available in:
  - PG13.5, M20x1.5 and 1/2NPT

### Specifications

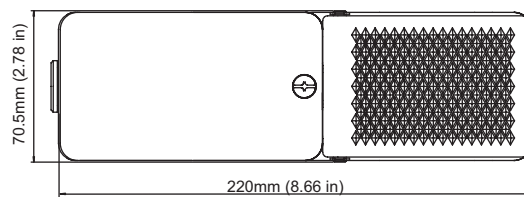
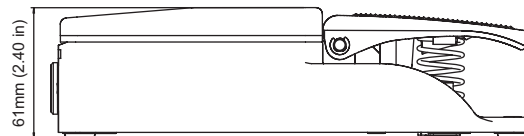
Operating Frequency	60 ops/min
Insulation Resistance	>100MΩ@500V DC
Contact Resistance	<25mΩ
Rated Current/Voltage	Various (see below)
Inrush Current	Complies with IEC947-5-1: AC15/DC13
Dielectric Strength	1000VAC for 1 min between current carrying parts 2500VAC for 1 min between non-current carrying parts
Service Life	Mechanically 1 x 10 <sup>6</sup> (operations) Electrically 5 x 10 <sup>5</sup> (operations)
Operating Temperature	-30~+80°C (-22~176°F)
Degree of Protection	IP65, NEMA type 2, 4, 13 (IP68, NEMA type 6, 6P available on request)

### Selection Guide:

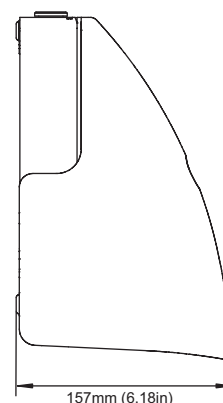
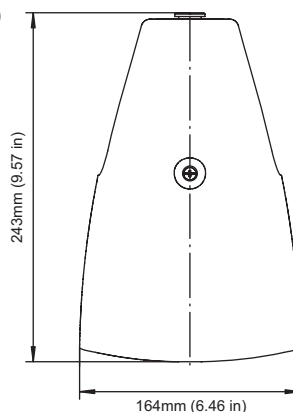
FSC - 61	-	G	-	08	-	D	-	-	-	-	-	Conduit Type
Number of Pedals		Guarding Options		Switch Type		Special Features		Switch Configuration		Options		
61: Single pedal		Blank: No guard		08: 8A/125, 4A/250VAC 10: 10A/125, 6/250V 20: 20A 125/250/480V 25: 25A 125/250/480V		Blank: A: Anti-Tripped D: Push-on/Push-off V: AC variable speed		Blank: SPDT T: DPDT S: 2 stages		K: Gold plated contacts		A: 1/2NPT B: PG13.5 C: M20 x1.5
62: Dual pedals		G: Fully guarded										

### Dimensions:

- FSC-61-08D (8A/125VAC, 6A/250VAC, push-on/push-off)
- FSC-61-10V (10A/125VAC or 6A/250VAC, AC variable speed)
- FSC-61-20 (20A 125/250/480VAC)
- FSC-61-25 (25A 125/250/480VAC)

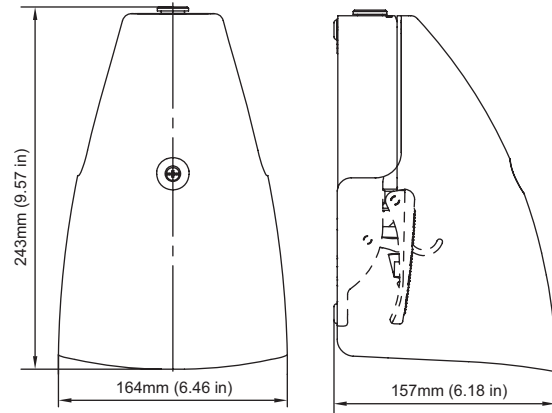


- FSC-61G-08D (8A/125VAC, 6A/250VAC, push-on/push-off)
- FSC-61G-10V (10A/125VAC or 6A/250VAC, AC variable speed)
- FSC-61G-20 (20A 125/250/480VAC)
- FSC-61G-25 (25A 125/250/480VAC)



## FSC-6 Series Specialty Foot Switches

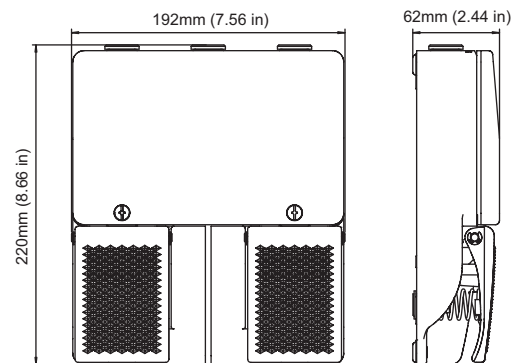
**FSC-61G-20-A-A** (20A, anti-trip, 1/2NPT)  
**FSC-61G-20-A-C** (20A, anti-trip, M20x1.5)



## Dual Pedals Specialty Foot Switches

### Dimensions:

**FSC-62-08D** (8A/125VAC, 6A/250VAC, push-on/push-off)  
**FSC-62-20** (20A 125/250/480VAC)  
**FSC-62-25** (25A 125/250/480VAC)



**FSC-62G-08D** (8A/125VAC, 6A/250VAC, push-on/push-off)  
**FSC-62G-20** (20A 125/250/480VAC)  
**FSC-62G-25** (25A 125/250/480VAC)

