

## GLOBAL STYLE SAFETY LIMIT SWITCHES (Metal Bodied EN50041 COMPATIBLE) SN63 SERIES (3 - CONDUIT ENTRY)

*SUNS products help to make factories run more efficiently, product manufacturing smarter, and automation environments more productive.*



### Features

- Zinc die cast body
- Earth grounding surface on same level as switching
- Easily interchangeable contact block
- Galvanically separated contacts
- Screw terminals with self-lifting clamps for easy wiring
- Positive Opening of NC contacts
- 4 x 90° actuator positions
- Cable entry available: M20, PG13.5 and 1/2"NPT
- Conform to EN 50041 standard

### Definitions of Operating Characteristics

- OF Operating Force  
 RF Releasing Force  
 OT Overtravel  
 TT Total Travel  
 PT Pretravel  
 MD Movement Differential  
 OP Operating Position  
 PO Travel to Positive Opening
- 

### Specifications

Operating Speed	0.05mm-2m/sec
Operating Frequency	Mechanical: 120ops/min Electrical: 30 ops/min
Insulation Resistance	>100MΩ@500V DC
Contact Resistance	<25mΩ (initial value)
Rated Current/Voltage	10A/600V AC (EN60947-5-1) UL/cUL Listed (E216958) AC15 A600 / DC13 Q300
Dielectric Strength	1000VAC for 1 min between current carrying parts 2500VAC for 1 min between non-current carrying parts
Service Life	Mechanically 1.0 x10 <sup>7</sup> (operations) Electrically 5 x10 <sup>5</sup> (operations)
Operating Temperature	-25~+80°C (-13~176°F) with no icing
Humidity	< 95%RH
Weight	450-530g
Degree of Protection	IP67

### Selection Guide:

**SN63**

Body Styles

**04**

Head Styles

**SP**

Contact Block

- SP: 1NO/1NC Snap action
- SPT: 2NO/2NC Snap action
- SL: BBM 1NO/1NC Slow Action changeover
- SL1: MBB 1NO/1NC Slow Action Overlapping
- SL2: 2NC Slow Action
- SL3: 2NO Slow Action
- SL4: 3NC Slow Action
- SL5: 3NO Slow Action
- SL6: BBM 2NC/1NO Slow Action changeover
- SL7: MBB 2NC/1NO Slow Action Overlapping
- SL8: BBM 2NO/1NC Slow Action changeover
- SL9: MBB 2NO/1NC Slow Action Overlapping

**C**

Conduits

- A: 1/2"NPT
- B: PG13.5
- C: M20

**R**

- Blank
- R: with Reset

## GLOBAL STYLE SAFETY LIMIT SWITCHES (Metal Bodied EN50041 COMPATIBLE) SN63 SERIES (3 - CONDUIT ENTRY)

Available contact blocks and travel diagrams



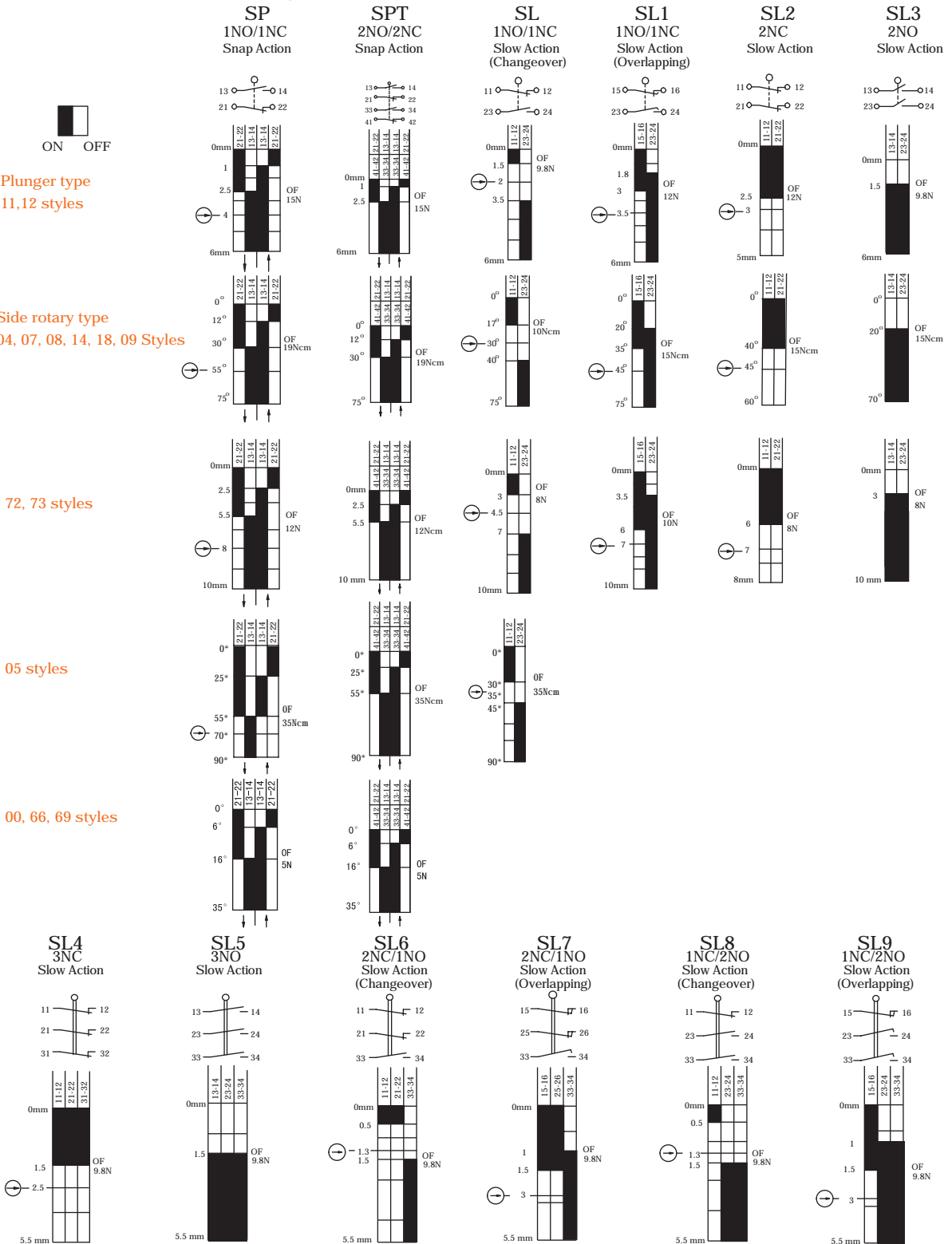
Plunger type  
11, 12 styles

Side rotary type  
04, 07, 08, 14, 18, 09 Styles

72, 73 styles

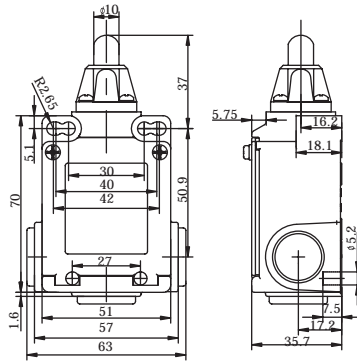
05 styles

00, 66, 69 styles



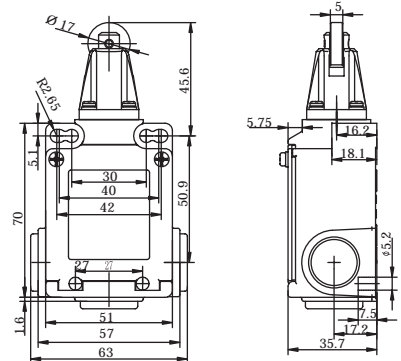
## GLOBAL STYLE SAFETY LIMIT SWITCHES (Metal Bodied EN50041 COMPATIBLE) SN63 SERIES (3 - CONDUIT ENTRY)

SN6311



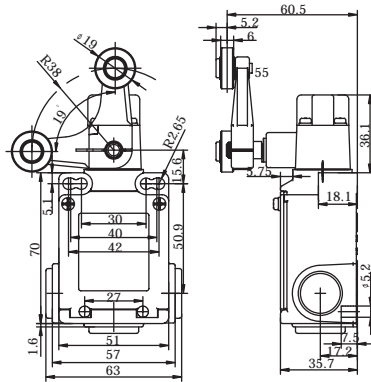
Order Code	Contact block			
SN6311-SP- _	SP		snap action	1NO+1NC
SN6311-SL- _	SL		slow action	1NO+1NC BBM
SN6311-SL1- _	SL1		slow action	1NO+1NC MBB
SN6311-SL2- _	SL2		slow action	2NC

SN6312



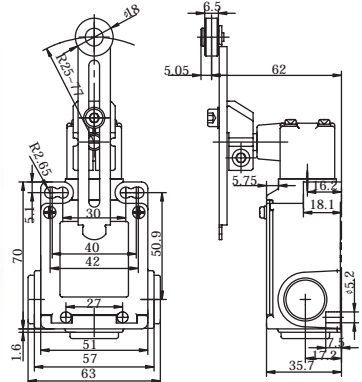
Order Code	Contact block			
SN6312-SP- _	SP		snap action	1NO+1NC
SN6312-SL- _	SL		slow action	1NO+1NC BBM
SN6312-SL1- _	SL1		slow action	1NO+1NC MBB
SN6312-SL2- _	SL2		slow action	2NC

SN6305



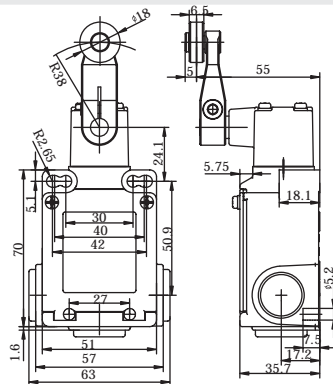
Order Code	Contact block			
SN6305-SP- _	SP		snap action	1NO+1NC
SN6305-SL- _	SL		slow action	1NO+1NC BBM

SN6308



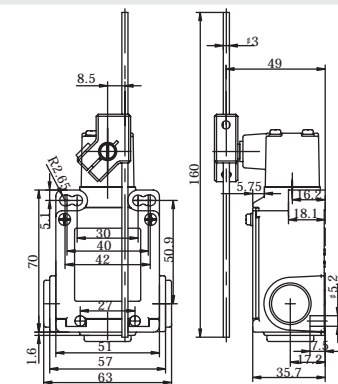
Order Code	Contact block			
SN6308-SP- _	SP		snap action	1NO+1NC
SN6308-SL- _	SL		slow action	1NO+1NC BBM
SN6308-SL1- _	SL1		slow action	1NO+1NC MBB
SN6308-SL2- _	SL2		slow action	2NC

SN6304



Order Code	Contact block			
SN6304-SP- _	SP		snap action	1NO+1NC
SN6304-SL- _	SL		slow action	1NO+1NC BBM
SN6304-SL1- _	SL1		slow action	1NO+1NC MBB
SN6304-SL2- _	SL2		slow action	2NC

SN6307



Order Code	Contact block			
SN6307-SP- _	SP		snap action	1NO+1NC
SN6307-SL- _	SL		slow action	1NO+1NC BBM
SN6307-SL1- _	SL1		slow action	1NO+1NC MBB
SN6307-SL2- _	SL2		slow action	2NC

## GLOBAL STYLE SAFETY LIMIT SWITCHES (Metal Bodied EN50041 COMPATIBLE) SN63 SERIES (3 - CONDUIT ENTRY)

### SN6314

**Order Code**

Order Code	Contact block	SP	SL	SL1	SL2	action	contacts
SN6314-SP- _	SP	⊕				snap action	1NO+1NC
SN6314-SL- _	SL		⊕			slow action	1NO+1NC BBM
SN6314-SL1- _	SL1			⊕		slow action	1NO+1NC MBB
SN6314-SL2- _	SL2				⊕	slow action	2NC

### SN6318

**Order Code**

Order Code	Contact block	SP	SL	SL1	SL2	action	contacts
SN6318-SP- _	SP	⊕				snap action	1NO+1NC
SN6318-SL- _	SL		⊕			slow action	1NO+1NC BBM
SN6318-SL1- _	SL1			⊕		slow action	1NO+1NC MBB
SN6318-SL2- _	SL2				⊕	slow action	2NC

### SN6300

**Order Code**

Order Code	Contact block	SP	SL	SL1	SL2	action	contacts
SN6300-SP- _	SP	⊕				snap action	1NO+1NC

### SN6366

**Order Code**

Order Code	Contact block	SP	SL	SL1	SL2	action	contacts
SN6366-SP- _	SP	⊕				snap action	1NO+1NC

### SN6369

**Order Code**

Order Code	Contact block	SP	SL	SL1	SL2	action	contacts
SN6369-SP- _	SP	⊕				snap action	1NO+1NC

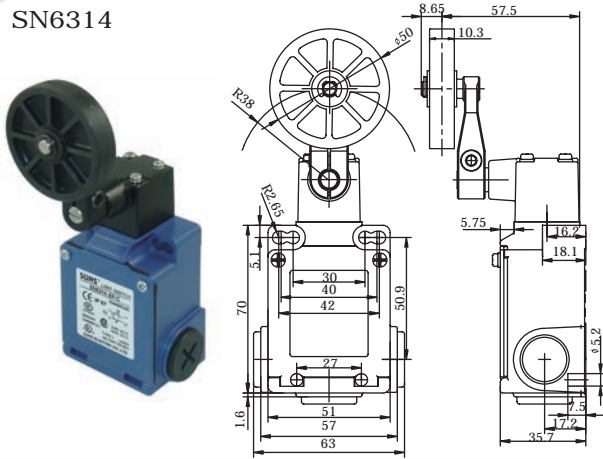
### SN6309

**Order Code**

Order Code	Contact block	SP	SL	SL1	SL2	action	contacts
SN6309-SP- _	SP	⊕				snap action	1NO+1NC
SN6309-SL- _	SL		⊕			slow action	1NO+1NC BBM
SN6309-SL1- _	SL1			⊕		slow action	1NO+1NC MBB
SN6309-SL2- _	SL2				⊕	slow action	2NC

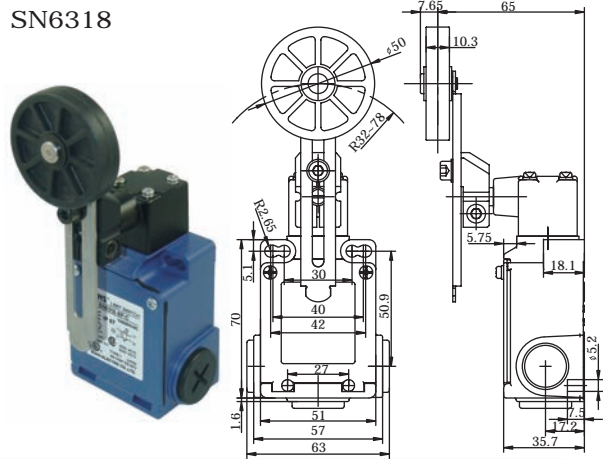
## GLOBAL STYLE SAFETY LIMIT SWITCHES (Metal Bodied EN50041 COMPATIBLE) SN63 SERIES (3 - CONDUIT ENTRY)

SN6314



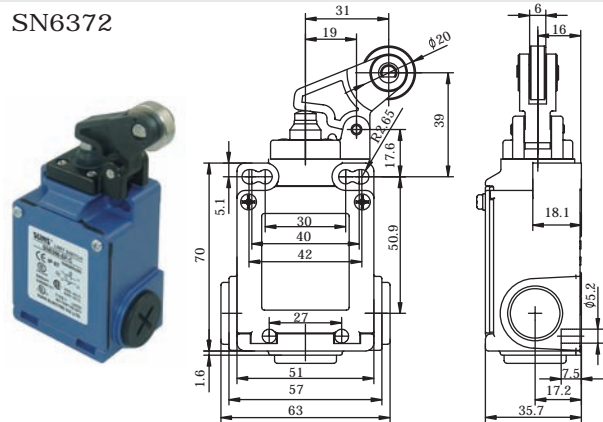
Order Code	Contact block	SP	SL	SL1	SL2	Function	Configuration
SN6314-SP- _	SP	⊕				snap action	1NO+1NC
SN6314-SL- _	SL	⊕				slow action	1NO+1NC BBM
SN6314-SL1- _	SL1	⊕				slow action	1NO+1NC MBB
SN6314-SL2- _	SL2		⊕			slow action	2NC

SN6318



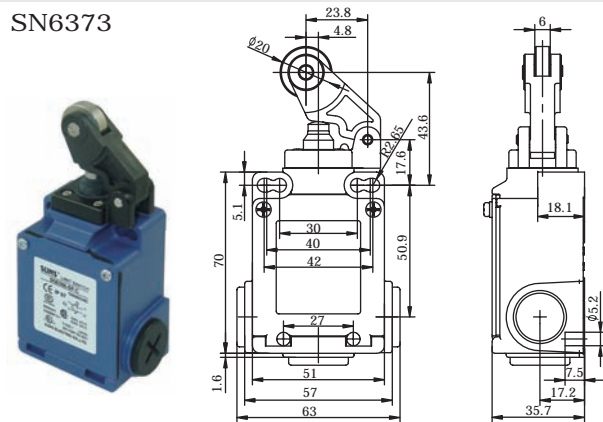
Order Code	Contact block	SP	SL	SL1	SL2	Function	Configuration
SN6318-SP- _	SP	⊕				snap action	1NO+1NC
SN6318-SL- _	SL	⊕				slow action	1NO+1NC BBM
SN6318-SL1- _	SL1	⊕				slow action	1NO+1NC MBB
SN6318-SL2- _	SL2		⊕			slow action	2NC

SN6372



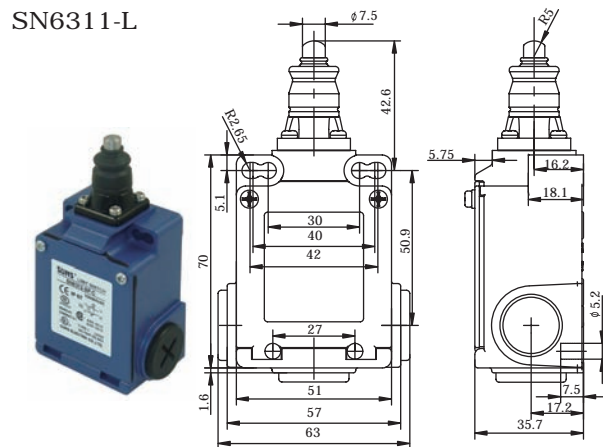
Order Code	Contact block	SP	SL	SL1	SL2	Function	Configuration
SN6372-SP- _	SP	⊕				snap action	1NO+1NC
SN6372-SL- _	SL	⊕				slow action	1NO+1NC BBM
SN6372-SL1- _	SL1	⊕				slow action	1NO+1NC MBB
SN6372-SL2- _	SL2		⊕			slow action	2NC

SN6373



Order Code	Contact block	SP	SL	SL1	SL2	Function	Configuration
SN6373-SP- _	SP	⊕				snap action	1NO+1NC
SN6373-SL- _	SL	⊕				slow action	1NO+1NC BBM
SN6373-SL1- _	SL1	⊕				slow action	1NO+1NC MBB
SN6373-SL2- _	SL2		⊕			slow action	2NC

SN6311-L



Order Code	Contact block	SP	SL	SL1	SL2	Function	Configuration
SN6311-SP- _L	SP	⊕				snap action	1NO+1NC
SN6311-SL- _L	SL	⊕				slow action	1NO+1NC BBM
SN6311-SL1- _L	SL1	⊕				slow action	1NO+1NC MBB
SN6311-SL2- _L	SL2		⊕			slow action	2NC