

COMPACT LIMIT SWITCHES SN5 SERIES

Features

- Designed for applications with small mounting space
- Highly rigid construction (head and cover snugly fit in box)
- Wide range of actuators available
- Pre-molded flexible cable gland for fast and simple wiring termination

Definitions of Operating Characteristics

OF	Operating Force	PT	Pretravel
RF	Releasing Force	MD	Movement Differential
OT	Overtravel	OP	Operating Position
TT	Total Travel		

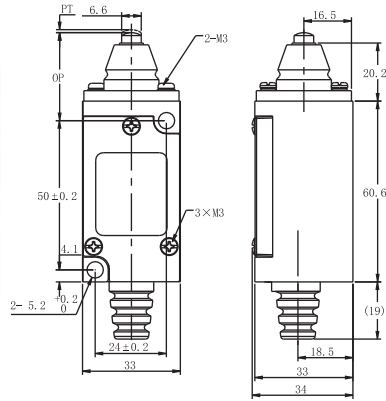
Specifications

Operating Speed	0.05mm-2m/sec
Operating Frequency	Mechanical: 120ops/min Electrical: 30 ops/min
Insulation Resistance	>100MΩ@500V DC
Contact Resistance	<25mΩ (initial value)
Rated Current/Voltage	10A/250V AC (EN60947-5-1) AC15 A600 / DC13 Q300
Dielectric Strength	1000VAC for 1 min between current carrying parts 2500VAC for 1 min between non-current carrying parts
Service Life	Mechanically 1.0 x10 ⁷ (operations) Electrically 5 x10 ⁵ (operations)
Operating Temperature	-20~+80°C (-14~176°F)
Humidity	< 95%RH
Weight	240-290g
Degree of Protection	IP65

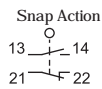
Dimensions Unit: mm

<p>SN5104</p> <p>Snap Action</p>	<p>SN5108</p> <p>Snap Action</p>
<p>Operating Characteristics</p> <p>OF_{max} 18Ncm RF_{min} 3Ncm PT_{max} 20° OT_{min} 75° MD 12° TT 95°</p>	<p>Operating Characteristics</p> <p>OF_{max} 18Ncm RF_{min} 3Ncm PT_{max} 20° OT_{min} 75° MD 12° TT 95°</p>

COMPACT LIMIT SWITCHES SN5 SERIES

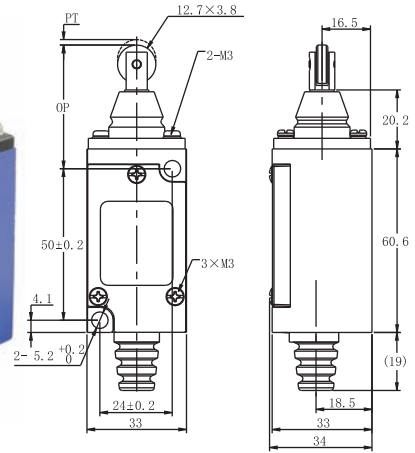


SN5111

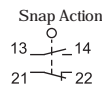


Operating Characteristics

OF _{max}	9N
RF _{min}	1.5N
PT _{max}	1.5mm
OT _{min}	4mm
MD _{max}	1.2mm
TT	5.5mm

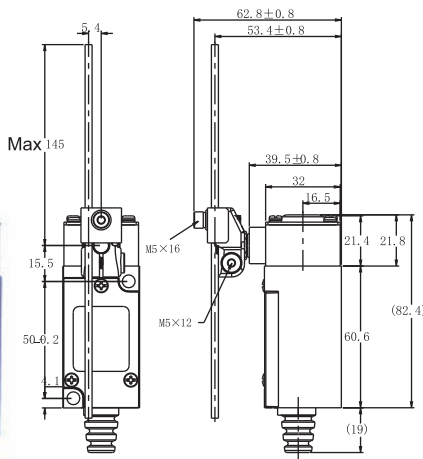


SN5112

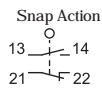


Operating Characteristics

OF _{max}	9N
RF _{min}	1.5N
PT _{max}	1.5mm
OT _{min}	4mm
MD _{max}	1.2mm
TT	5.5mm

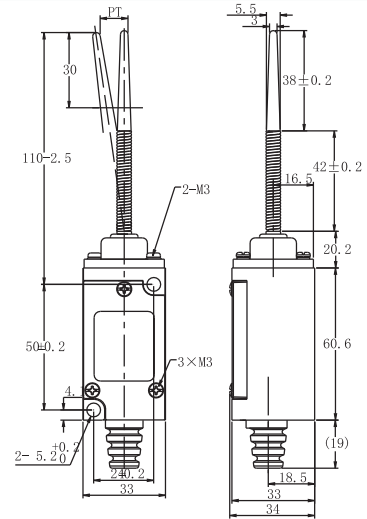


SN5107

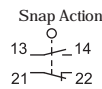


Operating Characteristics

OF _{max}	18Ncm
RF _{min}	3Ncm
PT _{max}	20°
OT _{min}	75°
MD	12°
TT	95°



SN5166



Operating Characteristics

OF _{max}	2N
PT _{max}	20°
OT _{min}	2°