

## COMPACT LIMIT SWITCHES SMN5 SERIES

### Features

- Designed for applications with small mounting space
- Highly rigid construction (head and cover snugly fit in box)
- Wide range of actuators available

### Definitions of Operating Characteristics

OF	Operating Force	PT	Pretravel
RF	Releasing Force	MD	Movement Differential
OT	Overtravel	OP	Operating Position
TT	Total Travel		

### Specifications

Operating Speed	0.05mm-2m/sec
Operating Frequency	Mechanical: 120ops/min Electrical: 30 ops/min
Insulation Resistance	>100MΩ@500V DC
Contact Resistance	<25mΩ (initial value)
Rated Current/Voltage	10A/250V AC (EN60947-5-1) AC15 A600 / DC13 Q300
Dielectric Strength	1000VAC for 1 min between current carrying parts 2500VAC for 1 min between non-current carrying parts
Service Life	Mechanically 1.0 x10 <sup>7</sup> (operations) Electrically 5 x10 <sup>5</sup> (operations)
Operating Temperature	-20~+80°C (-14~176°F)
Humidity	< 95%RH
Weight	240-290g
Degree of Protection	IP65

### Selection Guide:

**SMN51**

Body  
Styles

**04**

Head Styles

**SP**

- SP: 1NO/1NC Snap action
- SL: BBM 1NO/1NC Slow Action changeover
- SL1: MBB 1NO/1NC Slow Action Overlapping
- SL2: 2NC Slow Action
- SL3: 2NO Slow Action

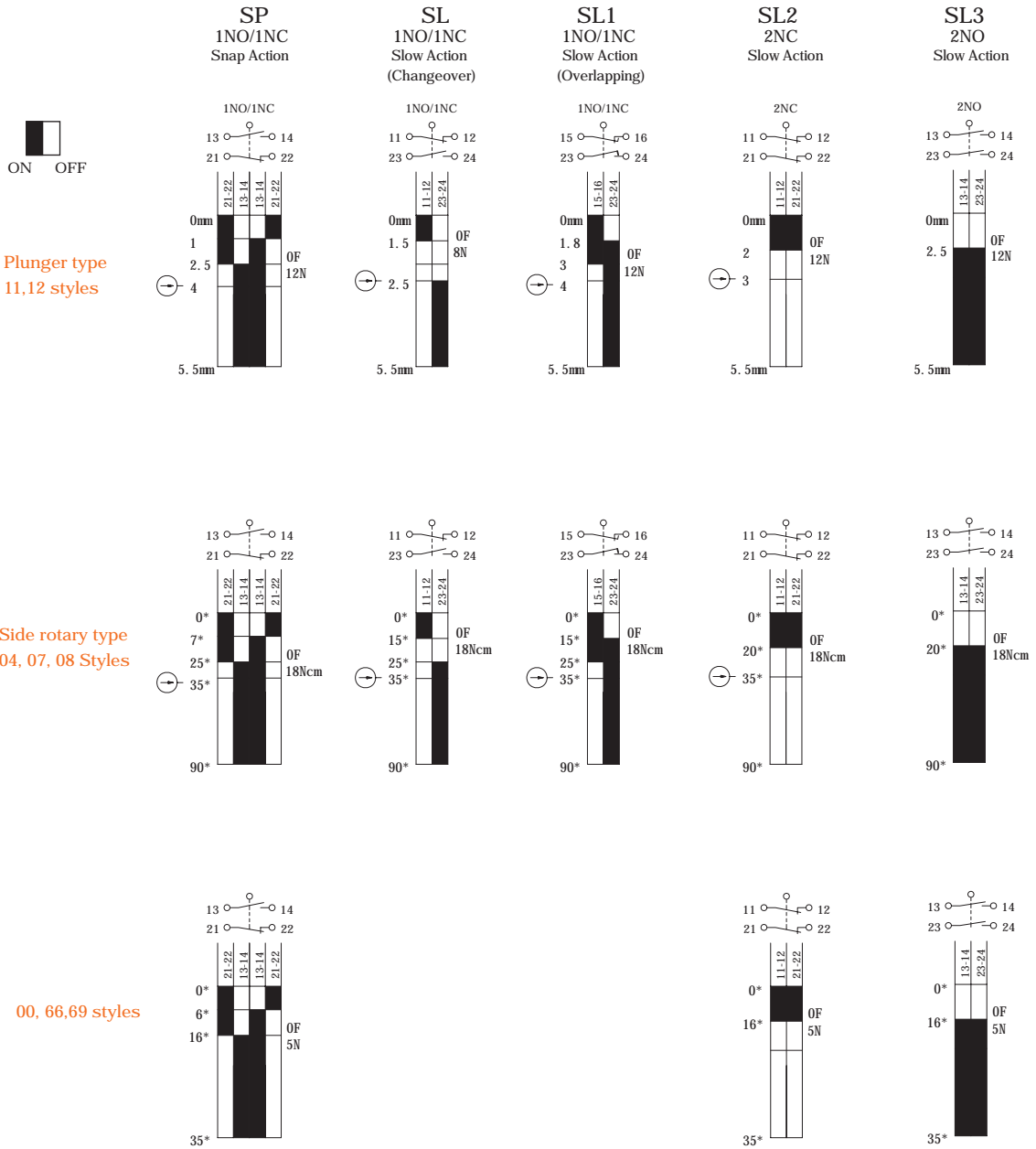
**D**

Conduits

D: M16 x 1.5

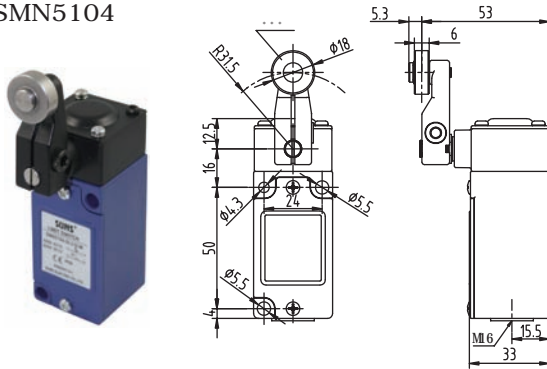
## COMPACT LIMIT SWITCHES SMN5 SERIES

Available contact blocks and travel diagrams



## COMPACT LIMIT SWITCHES SMN5 SERIES

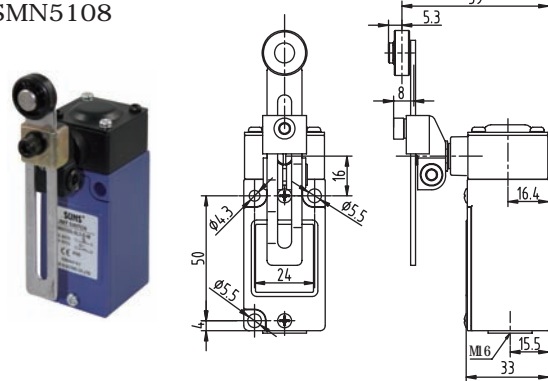
SMN5104



Order Code

SMN5104-SP- _	SP	snap action	1NO+1NC
SMN5104-SL- _	SL	slow action	1NO+1NC BBM
SMN5104-SL1- _	SL1	slow action	1NO+1NC MBB
SMN5104-SL2- _	SL2	slow action	2NC
SMN5104-SL3- _	SL3	slow action	2NO

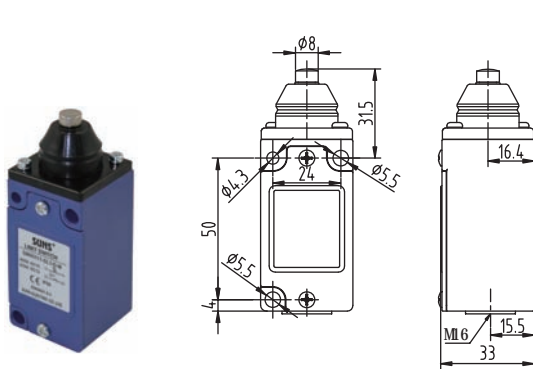
SMN5108



Order Code

SMN5108-SP- _	SP	snap action	1NO+1NC
SMN5108-SL- _	SL	slow action	1NO+1NC BBM
SMN5108-SL1- _	SL1	slow action	1NO+1NC MBB
SMN5108-SL2- _	SL2	slow action	2NC
SMN5108-SL3- _	SL3	slow action	2NO

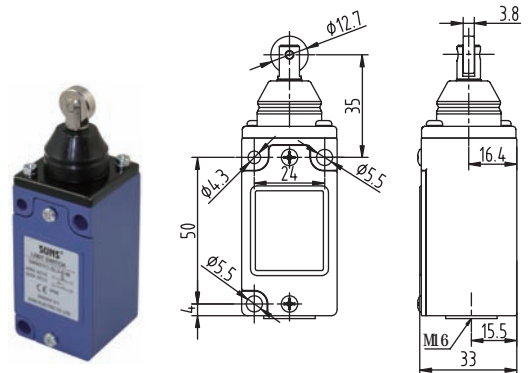
SMN5111



Order Code

SMN5111-SP- _	SP	snap action	1NO+1NC
SMN5111-SL- _	SL	slow action	1NO+1NC BBM
SMN5111-SL1- _	SL1	slow action	1NO+1NC MBB
SMN5111-SL2- _	SL2	slow action	2NC
SMN5111-SL3- _	SL3	slow action	2NO

SMN5112

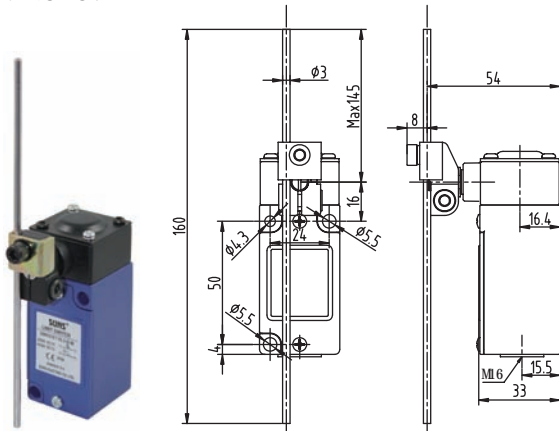


Order Code

SMN5112-SP- _	SP	snap action	1NO+1NC
SMN5112-SL- _	SL	slow action	1NO+1NC BBM
SMN5112-SL1- _	SL1	slow action	1NO+1NC MBB
SMN5112-SL2- _	SL2	slow action	2NC
SMN5112-SL3- _	SL3	slow action	2NO

## COMPACT LIMIT SWITCHES SMN5 SERIES

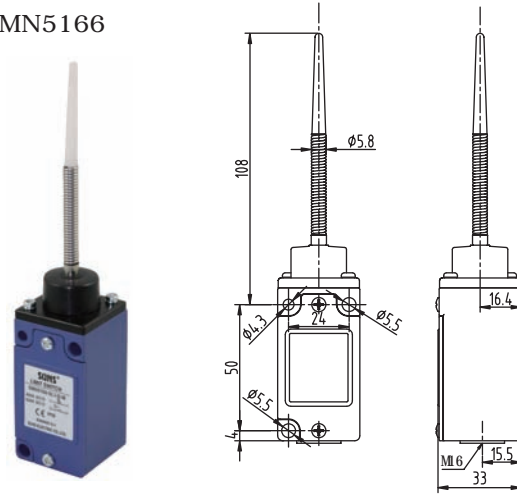
SMN5107



**Order Code**

SMN5107-SP- _	SP	snap action	1NO+1NC
SMN5107-SL- _	SL	slow action	1NO+1NC BBM
SMN5107-SL1- _	SL1	slow action	1NO+1NC MBB
SMN5107-SL2- _	SL2	slow action	2NC
SMN5107-SL3- _	SL3	slow action	2NO

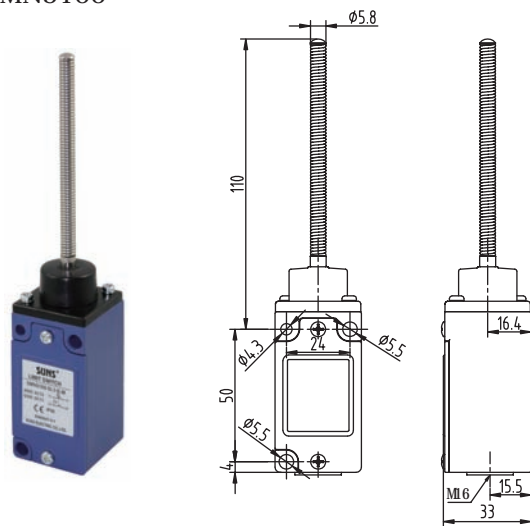
SMN5166



**Order Code**

SMN5166-SP- _	SP	snap action	1NO+1NC
SMN5166-SL2- _	SL2	slow action	2NC
SMN5166-SL3- _	SL3	slow action	2NO

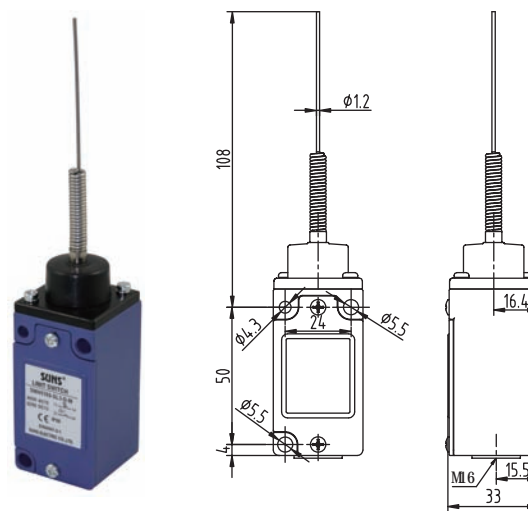
SMN5100



**Order Code**

SMN5100-SP- _	SP	snap action	1NO+1NC
SMN5100-SL2- _	SL2	slow action	2NC
SMN5100-SL3- _	SL3	slow action	2NO

SMN5169



**Order Code**

SMN5169-SP- _	SP	snap action	1NO+1NC
SMN5169-SL2- _	SL2	slow action	2NC
SMN5169-SL3- _	SL3	slow action	2NO