

## SNB Series Limit Switches for Hoisting and Mechanical Handling

Type of operating head	Rotary
Type of operator	Crossed metal rods



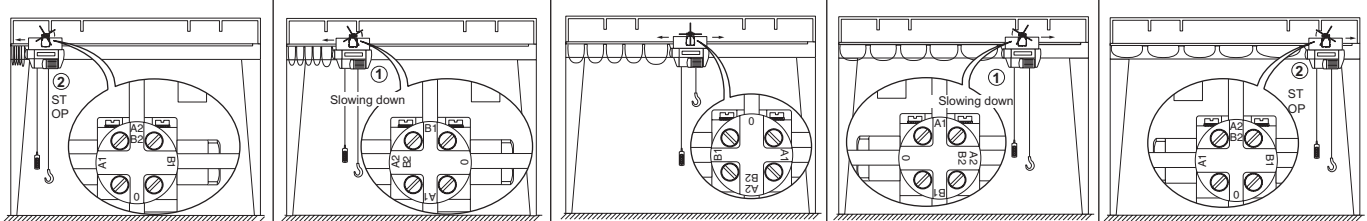
References	⊕ N/C contact with positive opening operation	(P)= positive opening point
Two 2-pole N/C + N/C break before make slow break		SNB-27-SL2-N SNB-27-SL2-N-R (Operating head the opposite direction)
Weight (Kg)	0.550	

### Characteristics

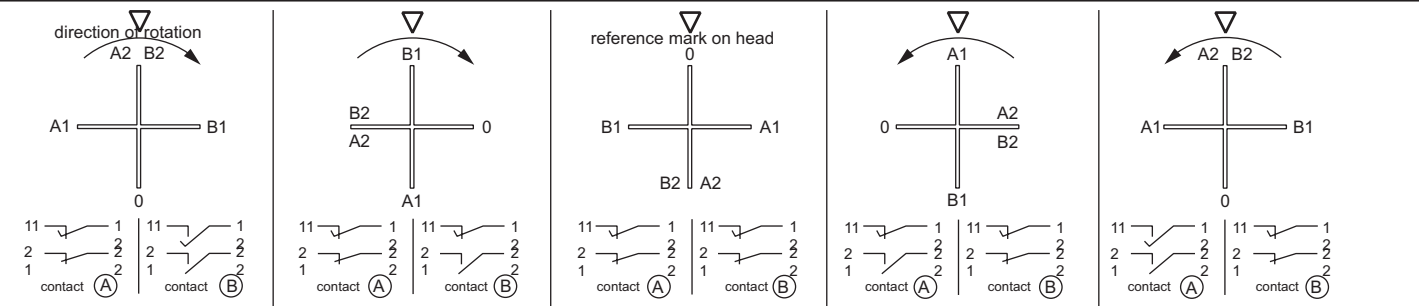
Products	IEC 947-5-1, EN 60 947-5-1, VDE 0660-200	
Conforming to standards Machine assemblies	IEC 204-1, EN 60 204-1, NF C 79-130	
Ambient air temperature	Operation : - 25 ~ 70 °C Storage: - 40 ~ 70 °C	
Resistance to vibration	25 gn(10 - 500Hz) conforming to IEC 68-2-6	
Resistance to shock	50 gn conforming to IEC 68-2-27	
Electric shock protection	Class I conforming to IEC 536 and NF C 20-030	
Degree of protection	IP66	
Mechanical durability	2 million Op. cycles	
Torque	for tripping	0.5 Nm
	for positive opening	0.75 Nm
Maximum actuation speed	1.5m/s	
Rated operational characteristics	AC-15 ; A300 or Ue = 240 V, Ie = 3 A DC-13 ; Q150 or Ue = 215 V, Ie = 0.55 A) conforming to IEC 947-5-1 Appendix A,	
Rated insulation voltage	Ui = 600 V degree of pollution 3 conforming to IEC 97-1,EN60947-5-1	
Rated impulse withstand voltage	U imp = 6 kV conforming to IEC 947-1, IEC 664	
Positive operation	N/C contacts with positive opening operation conforming to IEC 947-5-1 , EN 60 947-5-1	
Short-circuit protection	10A cartridge fuse type gG(gl)	
Conduits	1/2NPT,M20X1.5,PG13.5	
Cabling	Screw and captive cable clamp terminals. Clamping capacity, min.: 1 x 0.34 mm <sup>2</sup> , max.: 2 x 1.5 mm <sup>2</sup> or 1 x 2.5 mm <sup>2</sup> depending on contact Screw tightening torque max.:1.2Nm	

## SNB Series Limit Switches for Hoisting and Mechanical Handling

### Switch operation

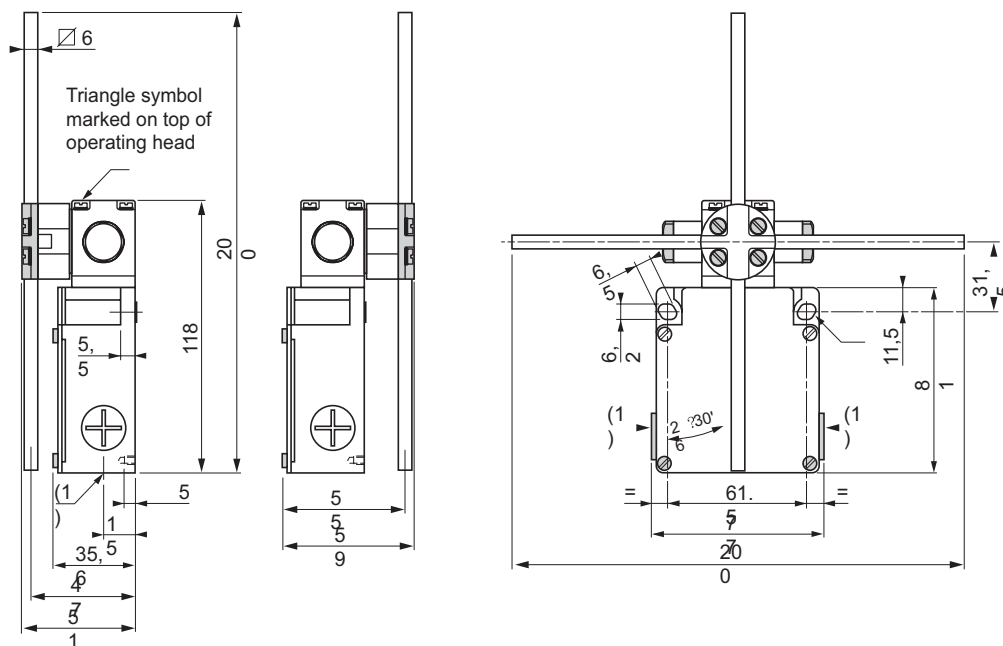


contact (A)	18	9	0	9	18	21-22
contact (B)						11-12
						21-22
						11-12



### Dimensions (mm)

#### SNB-27-SL2-N



(1) 1/2NPT for SNB-27-SL2-N-A  
M20X1.5 for SNB-27-SL2-N-C  
PG13.5 for SNB-27-SL2-N-B