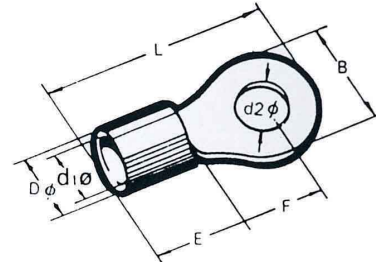
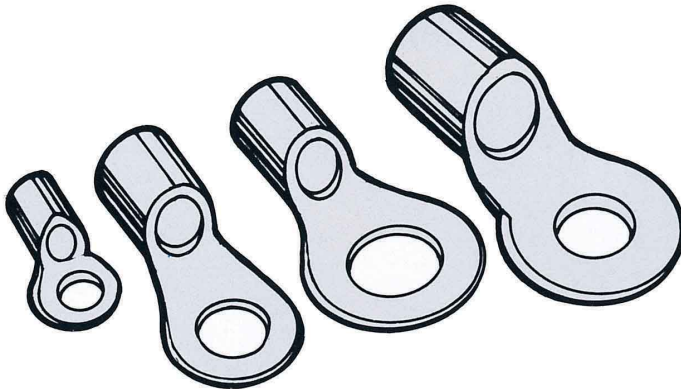


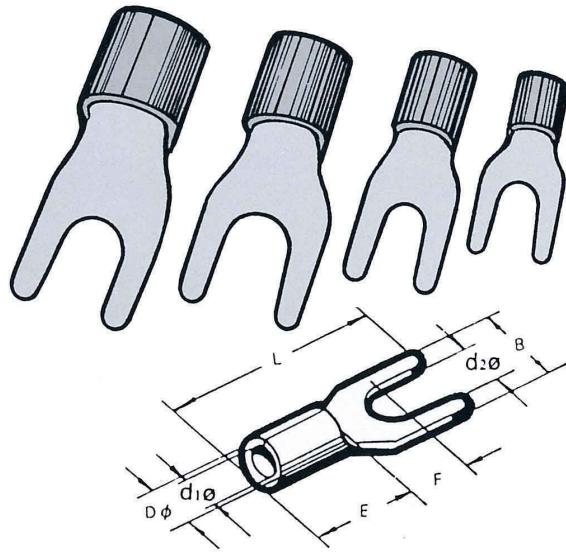


Non Insulated Ring Terminals



ITEM NO.	WIRE RANGE		Dφ	d1φ	E	F	B	d2φ	L					
	AWG/MCM	mm ²												
R1.25-3	22~16	0.25 1.65	3.2	1.7	4.5	4.0	5.5	3.7	11.5					
R1.25-3S						4.0	5.5	3.2	11.5					
R1.25-4						7.0	8.0	4.3	15.8					
R1.25-5						7.0	8.1	5.3	15.8					
R1.25-6						11.0	11.6	6.7	21.7					
R1.25-8						22.0	11.6	8.4	21.7					
R2-3						16~14	1.04 2.63	3.9	2.3	4.8	7.75	8.5	3.2	16.8
R2-3S											4.3	6.4	3.2	12.3
R2-4	7.75	8.5	4.3	16.8										
R2-5	7.25	9.5	5.3	16.8										
R2-6	11.0	12.0	6.4	21.8										
R2-8	11.0	12.0	8.4	21.8										
R3.5-4	12~10	2.63 4.6	5.0	3.0	6.3 6.0						7.7	8.0	4.3	18.0
R3.5-5											9.2	9.6	5.3	20.0
R5.5-4	12~10	2.63 6.64	5.4	3.4	6.8	8.25	9.5	4.3	19.8					
R5.5-5						8.25	9.5	5.3	19.8					
R5.5-6						13.7	12.0	6.4	25.8					
R5.5-8						13.7	15.0	8.4	28.0					
R5.5-10						13.7	15.0	10.5	28.0					
R8-5						8	6.64 10.52	6.9	4.5	8.5	9.3	12.0	5.3	23.8
R8-6	9.3	12.0	6.4	23.8										
R8-8	13.8	15.0	8.4	29.8										
R8-10	13.8	15.0	10.5	29.8										
R8-12	15.0	20.0	13.0	33.5										
R14-5	6	10.52 16.78	8.8	5.8	10						11.5	12.0	5.3	27.5
R14-6						11.5	12.0	6.4	27.5					
R14-8						14.5	16.0	8.4	32.5					
R14-10						14.5	16.0	10.5	32.5					
R14-12						19.8	22.0	13.0	41.3					
R22-6						4	16.78 26.66	11.3	7.7	12	13.45	16.5	6.7	33.7
R22-8	13.45	16.5	8.4	33.7										
R22-10	15.95	16.5	10.5	36.7										
R22-12	19.5	22.0	13.0	42.5										
R38-6	2	26.66 42.42	13	9.4	14	17.7	22.0	6.7	42.7					
R38-8						17.7	22.0	8.4	45.7					
R38-10						17.7	22.0	10.5	42.7					
R38-12						17.7	22.0	13.0	42.7					
R60-8	1/0	42.42 60.57	15.4	11.4	18	20.7	22.0	8.4	49.7					
R60-10						20.7	22.0	10.5	49.7					
R60-12						20.7	22.0	13.0	49.7					
R70-8	2/0	60.57 76.28	17.3	13.3	19	20.0	24.0	8.4	51.0					
R70-10						20.0	24.0	10.5	51.0					
R70-12						20.0	24.0	13.0	51.0					
R80-8	3/0	76.28 96.3	19.4	14.5	20	20.5	27.0	8.4	54.0					
R80-10						20.5	27.0	10.5	54.0					
R80-12						20.5	27.0	13.0	54.0					
R100-8	4/0	96.3 117.2	21.6	16.4	21	20.35	28.5	8.4	55.6					
R100-10						20.35	28.5	10.5	55.6					
R100-12						20.35	28.5	13.0	55.6					
R150-10	250-300	117.2 152.05	25.9	19.5	27	23.0	36.0	10.5	66.0					
R150-12						23.0	36.0	13.0	66.0					
R150-16						23.0	36.0	17.0	66.0					
R180-10	300-350	152.05 192.6	28	21	28.5	24.5	38.5	10.5	69.5					
R180-12						24.5	38.5	13.0	69.0					
R180-16						24.5	38.5	17.0	69.0					
R200-10	400	192.6 242.27	32	24	31.5	24.5	44.0	10.5	72.0					
R200-12						24.5	44.0	13.0	72.0					
R200-16						24.5	44.0	17.0	72.0					
R325-10	500-600	242.27 325	37	28	35.5	33.5	50.0	10.5	88.0					
R325-12						33.5	50.0	13.0	88.0					
R325-16						33.5	50.0	17.0	88.0					

Non Insulated Fork Terminals

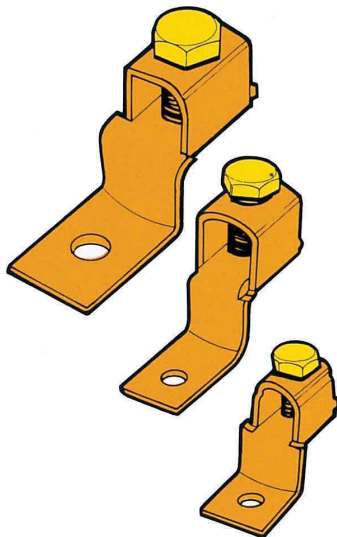
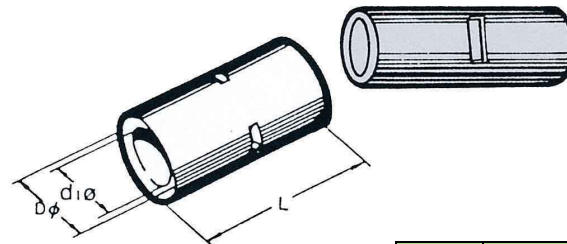


ITEM NO.	WIRE RANGE		Dφ	d1φ	E	F	B	d2φ	L
	AWG/MCM	mm ²							
Y1.25-3	22-16	0.25-1.65	3.2	1.7	4.5	6.5	6.2	3.7	16.0
Y1.25-4						6.5	7.2	4.3	16.0
Y1.25-5						6.5	8.0	5.3	16.0
Y1.25-6						7.5	9.7	6.7	17.0
Y2-3	16-14	1.04-2.63	3.9	2.3	4.5	6.5	6.2	3.7	16.0
Y2-4						6.5	7.2	4.3	16.0
Y2-5						6.5	8.0	5.3	16.0
Y2-6						9.0	10.7	6.7	19.0
Y3.5-4	12-10	2.63-4.6	5.0	3.0	6.3	6.9	8.0	4.3	18.0
Y3.5-5						8.0	9.5	5.3	20.0
Y3.5-6						9.5	12.0	6.7	22.0
Y5.5-4	12-10	2.63-4.6	5.4	3.4	6.5	7.5	8.2	4.3	19.5
Y5.5-5						7.5	9.0	5.3	19.5
Y5.5-6						10.5	12.0	6.7	24.0
Y8-6						8	6.64-10.52	6.9	4.5
Y14-6	6	10.6-16.7	8.8	5.8	10.0	11.0	12	6.7	27.5

Solderless Lugs

ITEM NO.	Ampere Rating(A)	Wire Range Number in mm ²				
SA-25	25	2	5.5			
SA-35	35-50	2	5.5	8	14	
SA-70	70-90	8	8	14	22	
SA-125	125	5.5	14	22	38	60
SA-175	175	38	60	70	80	
SA-225	225	38	60	70	80	100
SA-300	300	60	80	100	150	
SA-400	400	80	100	150	180	200

Non Insulated Butt Connectors (Type B&C)



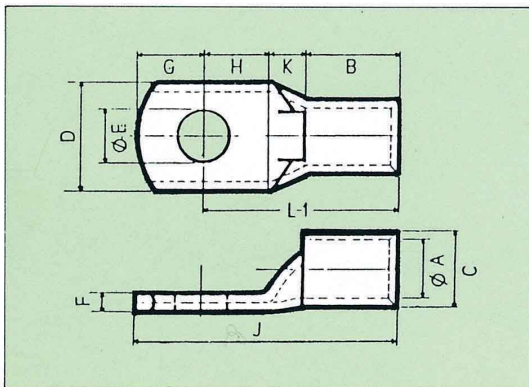
ITEM NO.	WIRE RANGE		Dφ	d1φ	L
	AWG/MCM	mm ²			
B1.25	22-16	0.25-1.65	3.3	1.9	16.5
B2	16-14	1.04-2.63	4.0	2.6	16.5
B3.5	12-10	2.63-4.6	5.0	3.7	16.5
B5.5	12-10	2.36-6.64	5.5	3.7	16.5
B8	8	6.64-10.52	7.1	5.1	22.5
B14	6	10.52-16.78	9.0	6.4	27.5
B22	4	16.78-26.66	11.4	8.2	30.5
B38	2	26.66-42.42	13.3	10.1	33.5
B60	1/0	42.42-60.57	15.4	12.0	36.0
B70	2/0	60.57-76.28	17.5	14.1	38.5
B80	3/0	76.28-96.3	19.4	15.4	39.5
B100	4/0	96.3-117.2	22.0	17.6	39.5
B150	250-300	117.2-152.05	26.0	20.9	55.5
B180	300-350	152.05-192.6	28.5	22.9	58.5
B200	400	192.6-242.27	32.5	25.7	64.5
B325	500-600	242.27-325	37.0	29.0	73.5

ITEM	mm ²	d1 •	D •	L
L1.5	1.5	2.6	4.0	20
L2.5	2.5	2.6	4.0	23
L4	4.0	3.0	4.5	25
L6	6.0	4.0	5.5	30
L10	10.0	4.4	6.0	30
L16	16.0	5.4	7.0	40
L25	25.0	6.7	8.5	45
L35	35.0	8.2	10.5	45
L50	50.0	9.7	12.4	45
L70	70.0	11.6	14.6	50
L95	95.0	14.2	17.4	50
L120	120.0	15.0	19.0	55
L150	150.0	17.0	21.0	60
L185	185.0	19.0	23.5	65
L240	240.0	21.5	26.5	80
L300	300.0	24.0	30.0	85
L400	400.0	29.5	36.5	90
L500	500.0	31.0	38.5	100
L630	630.0	35.5	43.5	110
L800	800.0	39.0	50.6	150
L1000	1000.0	43.0	56.2	170



Copper Tube Terminals

Tin plated electrolytic,
With cable inspection
Hole, 1.5 to 1000mm².
The copper tubing is to bs.
1172/Sabs. 404/Astmb.

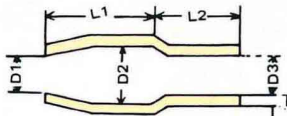


CABLE	STUD HOLE SIZE	DIMENSIONS											ITEM NO.
	fE	fA	C	D	F	G	H	K	B	L-1	J		
1.5	5.2	2.6	4.0	8.0	1.0	4	5	2	5	12	18	C1.5-5	
2.5	4.2	2.6	4.0	8.0	1.0	4	5	2	7	14	20	C2.5-4	
	5.2			10.0	0.8	5	6			15		C2.5-5	
	6.5												C2.5-6
4	5.2	3.0	4.5	10.0	1.0	5	6	2	7	15	20	C4-5	
	6.5											C4-6	
6	5.2	4.0	5.5	10.0	1.2	5	6	3	9	18	23	C6-5	
	6.5			12.0	1.0	6	9			21		C6-6	
	8.4												C6-8
10	6.5	4.4	6.0	12.0	1.2	6	7	3	9	19	25	C10-6	
	8.4						9			21		C10-8	
16	6.5	5.4	7.0	12.0	1.4	7	7	4	12	23	30	C16-6	
	8.4									25		C16-8	
25	6.5	6.7	8.5	13.0	2.0	7	7	4	12	23	32	C25-6	
	8.4			18.0	1.4	10	11			27		C25-8	
	10.5												C25-10
35	6.5	8.2	10.5	15.3	2.4	9	9	5	12	26	37	C35-6	
	8.4			18.0	2.0	10	11			28		C35-8	
	10.5												C35-10
50	8.4	9.7	12.4	17.8	2.9	10	11	6	16	33	43	C50-8	
	10.5											C50-10	
70	8.4	11.6	14.6	21.0	3.5	12	13	7	18	38	50	C70-8	
	10.5											C70-10	
	13.0											C70-12	
95	10.5	14.2	17.4	25	3.9	13	13	9	20	42	55	C95-10	
	13											C95-12	
120	13	15.0	19.0	28	4.4	14	14	10	22	46	62	C120-12	
	17					16	16			48		C120-16	
150	13	17.0	21.0	30	4.7	16	16	11	26	53	70	C150-12	
185	17	19.0	23.5	34	5	17	17	12	32	61	75	C185-16	
240	17	21.5	26.5	38	5.5	20	20	14	38	72	90	C240-16	
300	21	24.0	30.0	43	6.5	22	22	15	42	79	100	C300-16	
400	17	29.5	36.5	50.1	8	26	26	18	44	88	110	C400-16	
	21											C400-20	
500	17	31.0	38.5	56	9	28	28	20	48	96	120	C500-16	
	21											C500-20	
630	21	35.5	43.5	65	10	33	33	22	56	111	130	C630-16	
800	--	39	50.6	73.5	11.6	--	--	17	78	--	170	C800-BL	
1000	--	43	56.2	81	13.2	--	--	20	90	--	200	C1000-BL	

VINYL TUBES



- Material: Soft P.V.C.
- Maximum service temp: 80°C
- For the insulation works of wire end terminal. Performing the work with a simple one-touch to tighten and seal against dirt, moisture and water.
- Standard color: Red, white, green, blue, yellow, black.



ITEM NO.	WIRE SUITABLE	D1	D2	D3	L1	L2	T	PKG.
P-1.25	600V 1.25mm ² , 1.25mm ² Single	2.8	3.3	3.1	6	7	0.6	100pcs
P-2	600V 2.0mm ² , 2.0mm ² , 1.2mm ² , Single, 1.6mm ² Single	3.3	4.5	3.7	7	7	0.7	
P-3.5	600V 3.5mm ²	4.8	5.7	4.1	9	8	0.8	
P-5.5	600V 5.5mm ² , 2.6mm ² Single	4.8	5.7	5.2	9	8	0.8	
P-8	600V 5.5mm 3.2mm ² Single	6.2	7.2	6.2	10	9	1.0	
P-14	600V 14mm ²	8.0	10.0	8.0	13	11	1.1	
P-22	600V 22mm ²	9.5	12.0	9.5	15	14	1.2	
P-38	600V 38mm ²	11.8	14.0	11.8	17	16	1.5	
P-60	600V 60mm ²	13.5	16.8	13.5	20	19	1.5	
P-80	600V 80mm ²	16.0	19.0	16.0	25	21.0	1.6	
P-100	600V 100mm ²	18.0	22.0	18.0	30	24.0	1.7	
P-125	600V 125mm ²	20.0	24.0	20.0	32	25.0	1.8	
P-150	600V 150mm ²	22.0	24.4	22.0	34	31.0	1.8	
P-200	600V 200mm ²	28.0	32.0	24.0	35	30.0	2.0	
P-250	600V 250mm ²	32.0	36.0	25.0	40	35.5	2.0	
P-325	600V 325mm ²	34.3	38.0	28.5	40	36.5	2.0	
P-400	600V 400mm ²	43.0	44.0	37.0	45.0	40.0	2.5	
P-500	600V 500mm ²	45.0	50.0	40.5	41.8	45.5	2.5	
P-630	600V 630mm ²	52.0	52.0	45.0	46.0	45.0	2.5	

GROUNDING BUS-BAR

	<p>Item No.</p> <p>G-9604 G-9606 G-9608 G-9610 G-9612</p>
	<p>Item No.</p> <p>G-12804 G-12806 G-12808 G-12810 G-12812</p>