

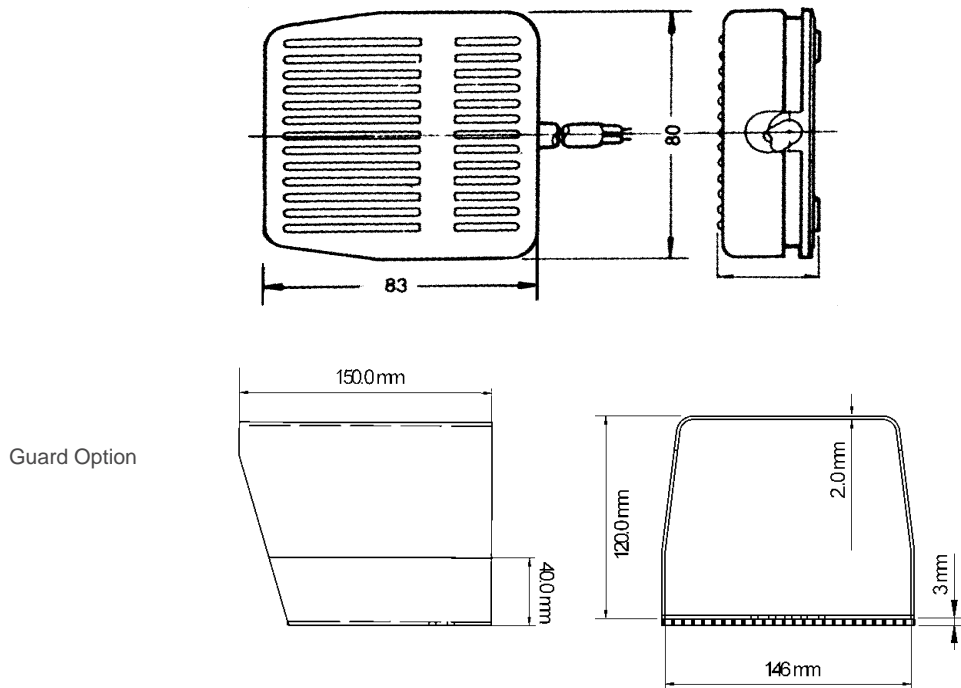
FS-2 Series Light Duty Footswitches

Features:

- Low cost foot switch for light duty application
- High strength glass fiber reinforced plastic body
- Switch rating: 15A (1/2HP) 125/250V AC
- Operating temperature range: -20°C to +80°C (-4°F to + 176°F)
- UL/cUL approved (E240199)
- IP20 for standard version
- Water-proof to IPX8 Available on special request



Dimensions:



Selection Guide:

<p>FS-1</p> <p><u>10</u></p> <p>Electrical Rating</p> <p>— 10: 10A /250VAC</p> <p>— 15: 15A /250VAC</p>	<p>2</p> <p>Option #1</p> <p>— 2: Cable Length</p>	<p>-</p>	<p>P</p> <p>Option #2</p> <p>— P: Supplied with 3 prong series plug</p> <p>— G: with Protective Guard</p> <p>— K: Gold plated contact</p>	<p>Twin</p> <p>Option #3</p> <p>— Blank: Single pedal</p> <p>— Twin: Dual Pedal</p>
--	---	-----------------	--	--