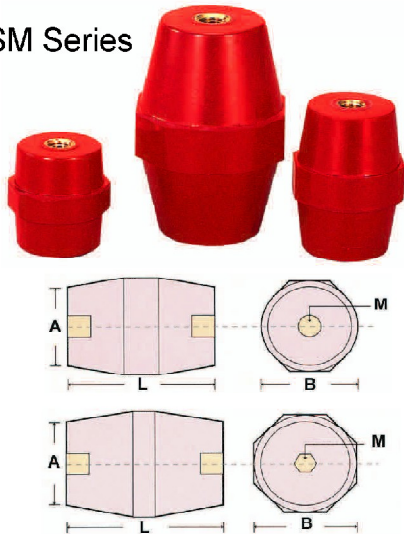




BUS BAR INSULATORS

SM Series



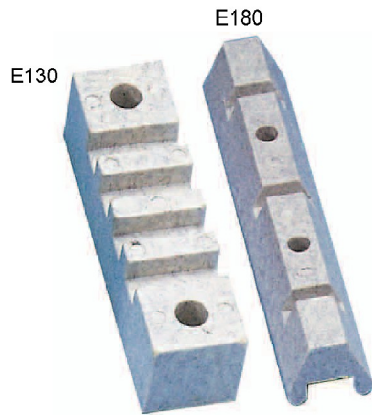
| Type | Dimensions (mm) | | | | Dielectric Strength (KV) |
|--------|-----------------|-------|----------|----|--------------------------|
| | Length L (mm) | Nut M | Diameter | | |
| | | | A | B | |
| SM-20 | 20 | M5 | 12 | 15 | 6 |
| SM-25 | 26 | M6 | 24 | 30 | 8 |
| SM-30 | 30 | M6 | 26 | 30 | 8 |
| SM-35 | 35 | M8 | 28 | 32 | 10 |
| SM-40 | 40 | M10 | 42 | 50 | 12 |
| SM-401 | 40 | M8 | 35 | 40 | 12 |
| SM-402 | 40 | M6 | 24 | 30 | 12 |
| SM-50 | 50 | M10 | 45 | 55 | 15 |
| SM-51 | 51 | M8 | 29 | 36 | 15 |
| SM-55 | 55 | M10 | 42 | 60 | 15 |
| SM-70 | 70 | M10 | 40 | 50 | 25 |
| SM-76 | 76 | M10 | 36 | 50 | 25 |

BUS-BAR SUPPORTS

Specifications

| | |
|---------------------------|---|
| Material | Unsaturated Polymer with Fiber Glass (UL 94V-0) |
| Withstand Voltage (KV/mm) | 12 |

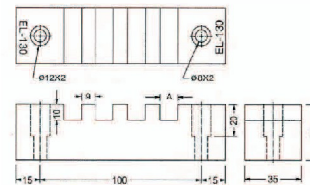
Dimensions: unit: mm



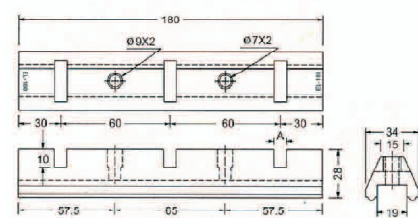
E270



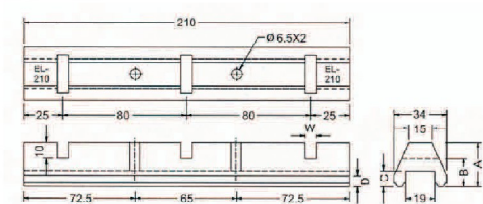
E130



E180



E210



E270

